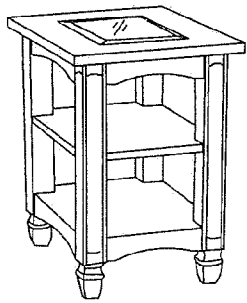


Assembly Instructions

Item No. : 81537

Thanks for buying our products.
 Please study the diagram before assembling.
 (Note: Loosely thread all screws/bolts first.
 Once the item is assembled,
 uprighted and leveled then completely tighten.)



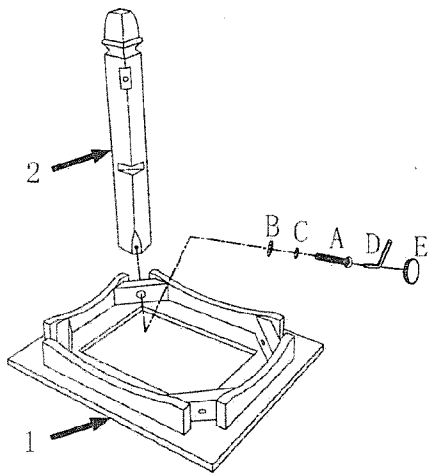
PARTS LIST

NO.	DESCRIPTION	Q'ty
1	Table face casing	1
2	Legs	4
3	Shelf	1
4	Stretchers	1
5	Glass	1

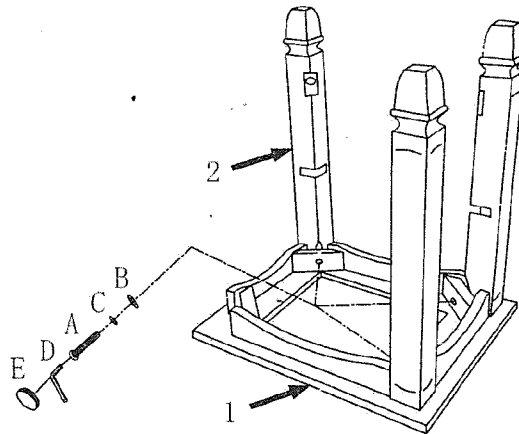
HARDWARE LIST

NO.	DESCRIPTION	Q'ty
A	Screw $\Phi 1/4" * 1-3/4" L$	8
B	Flat Washer $\Phi 1/4" * 16mm$	8
C	Lock Washer $\Phi 1/4"$	8
D	Allen Wrench 4mm	1
E	Plastic Cap $\Phi 20mm$	4

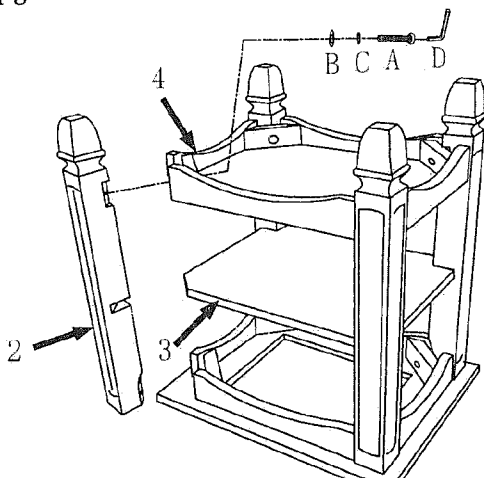
STEP 1



STEP 2



STEP 3



STEP 4

