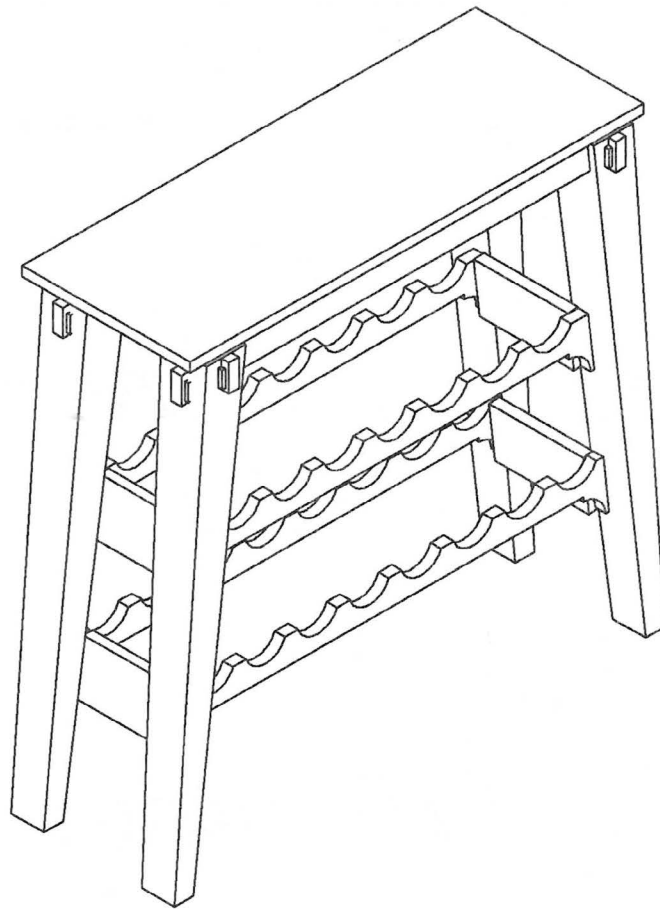











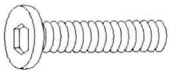

Vernazza Wine Rack Assembly Instructions



PART LIST

NO.	DESCRIPTION		QTY		NO.	DESCRIPTION		QTY
A	TABLE TOP		1		E	RIGHT FORNT LEG		1
B	LEFT BACK LEG		1		F	TOP WINE RACK		1
C	LEFT FORNT LEG		1		G	BOTTOM WINE RACK		1
D	RIGHT BACK LEG		1					

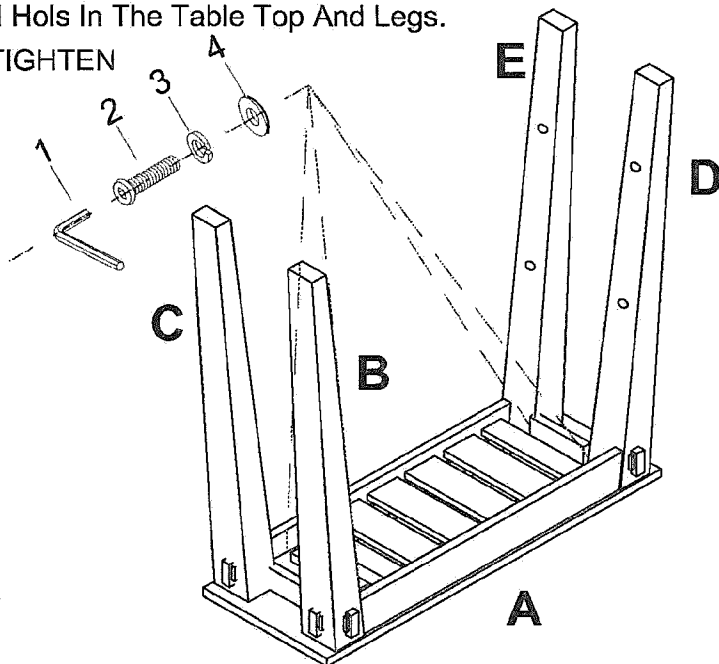
HARDWARE LIST

NO.	DESCRIPTION		QTY		NO.	DESCRIPTION		QTY
1	ALLEN WRENCH		1		3	LOCK WASHER		4
2	ALLEN BOLT		12		4	FLAT WASHER		4

STEP 1

Attach Legs (B), (C), (D) And (E) To The Table Top (A) Using Allen Wrench (1) Allen Bolts (2) Lock Washers (3) And Flat Washers (4). Inserts The Bolts With The Washers Through The Pre-Drilled Holes In The Table Top And Legs.

DO NOT TIGHTEN



STEP 2

Attach Wine Racks (F) & (G) To The Legs Using Allen Wrench (1), Allen Bolts (2). Inserts The Bolts With Washers Through The Pre-Drilled Holes In The Wine Racks And The Legs.

Tighten All The Bolts So They Are Now Secure.

