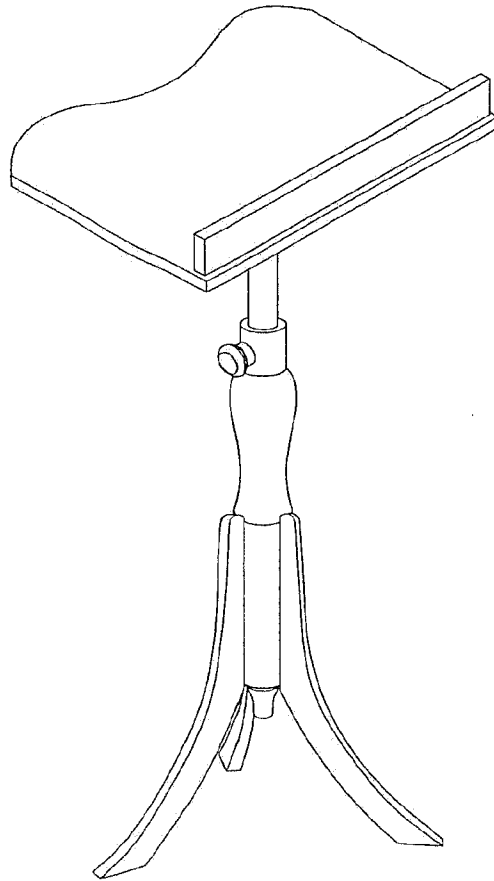
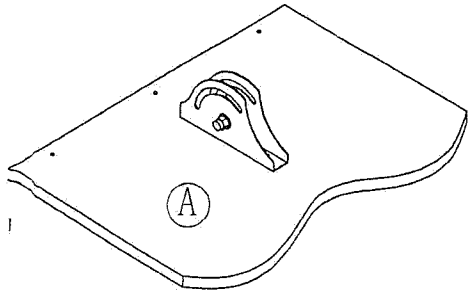


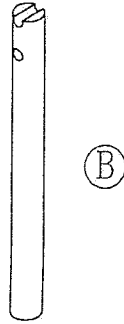
ASSEMBLY INSTRUCTIONS
Parke Music Stand



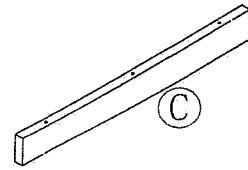
PARTS LIST



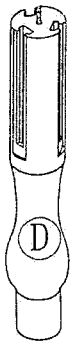
A: TOP 1PC



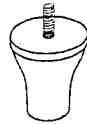
B: WOOD ROD 1PC



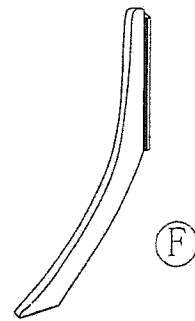
C: RAIL 1PC



D: POST 1PC



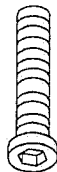
E: END COLUMN 1PC



F: LEG 3PCS



a: WOOD KNOB 1PC



b: MACHINE SCREW 1PC



C: WASHER 1PC



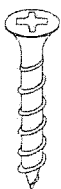
d: ALLEN KEY 1PC



e: WING NUT 1PC

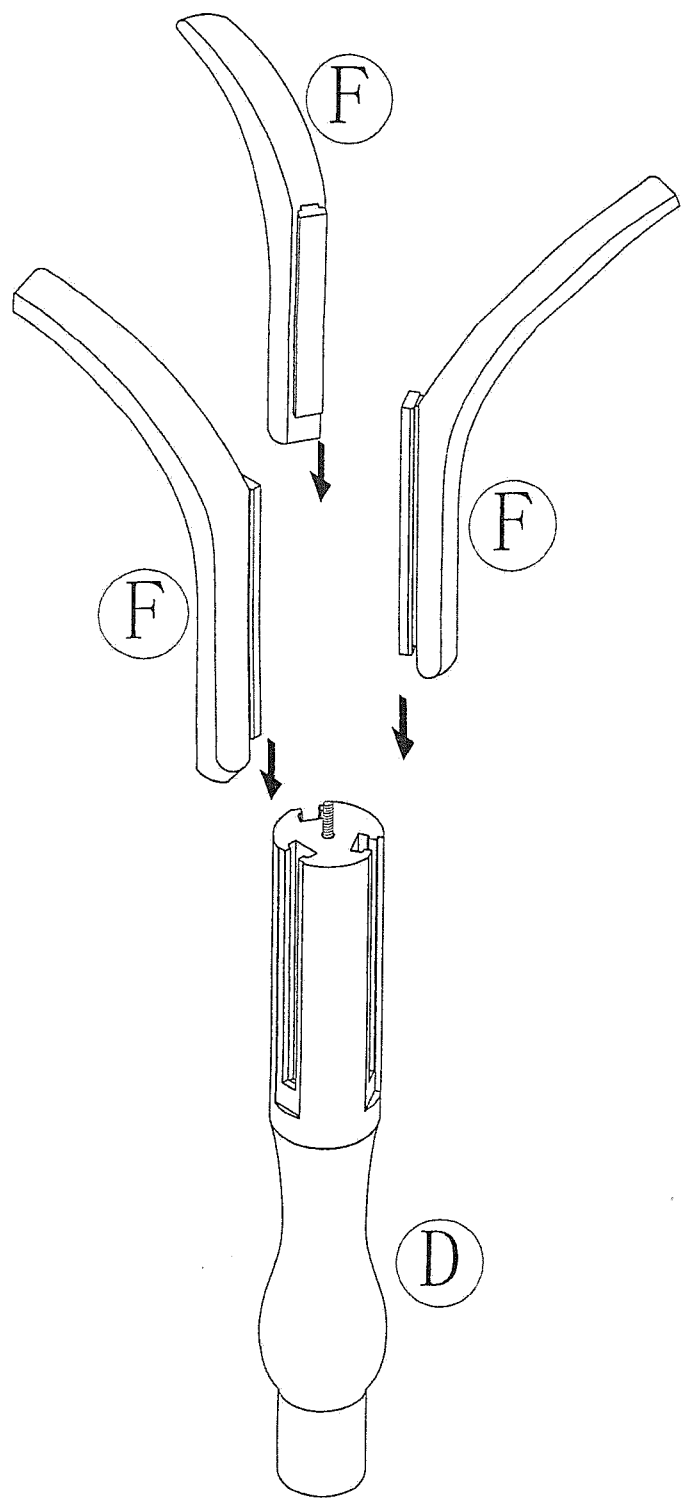


g: WOOD DOWELS 2PCS

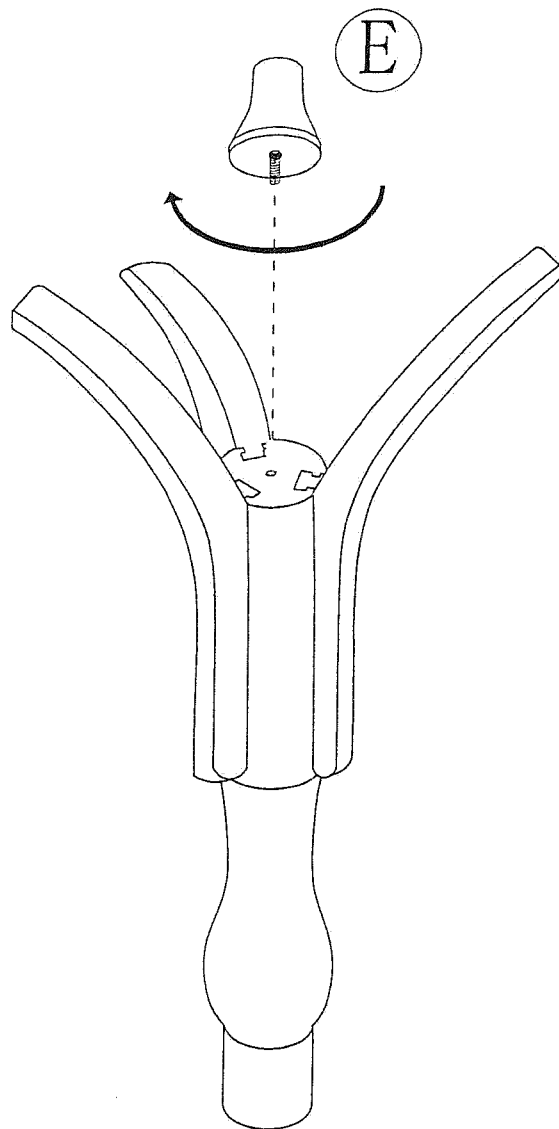


f: 1 1/4" FLAT HEAD SCREW 2PCS

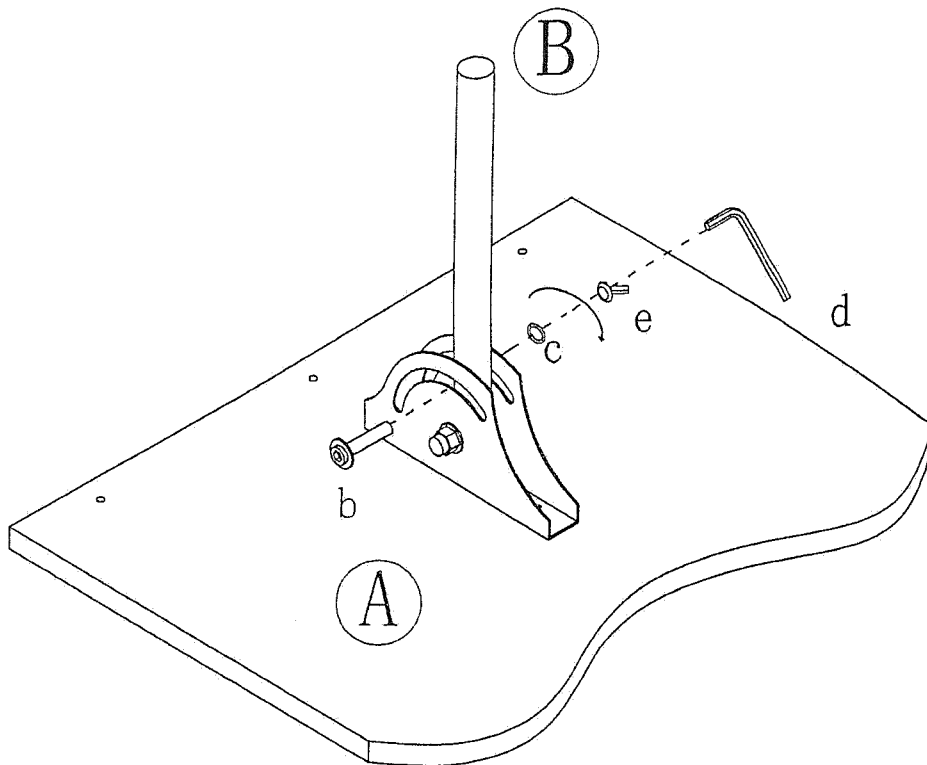
STEP 1. Insert Legs (F) Into Slots In Post (D).



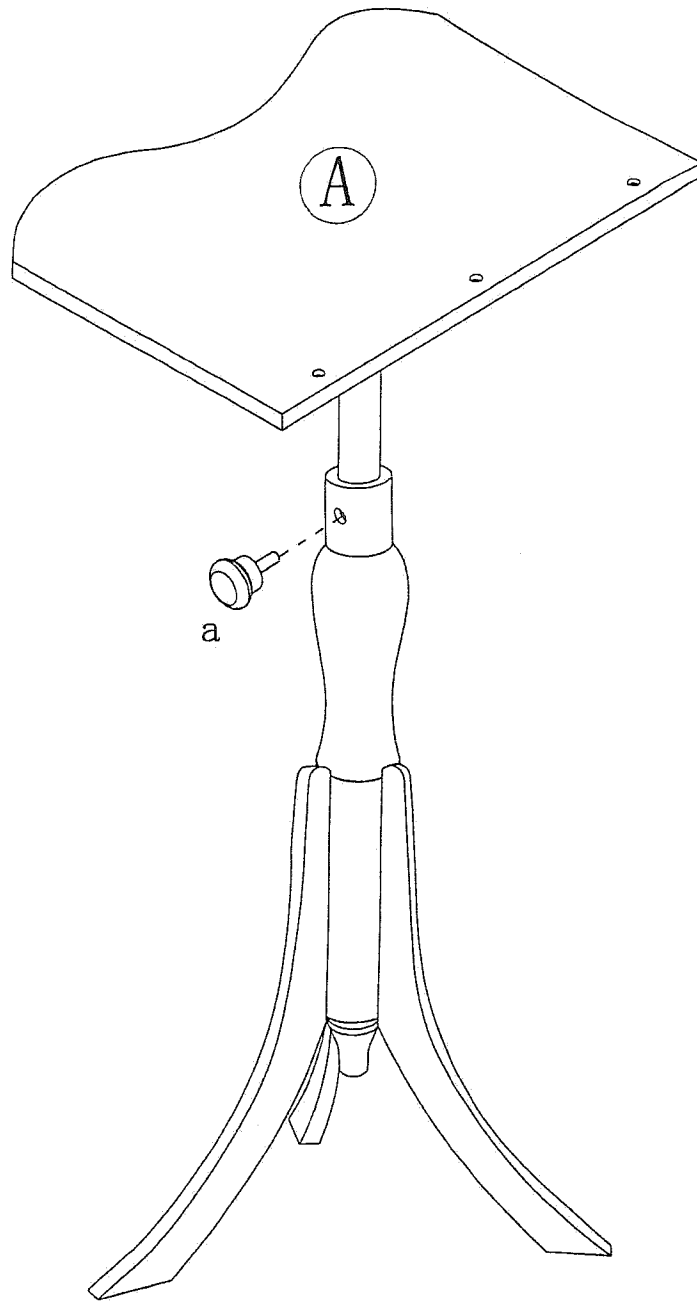
STEP 2. Screw End Column (E) Into Post (D) And Tighten.



STEP 3. Attach Wood Rod (B) To Top (A) With Machine
Screw (b), Washer (c) And Wing Nut (e).
* Adjust Top (A) With Wing Nut (e).



STEP 4. Insert Wood Rod (B) Into Post (D) And Adjust Music Stand By Inserting Wood Knob (a) Into Post (D) And Tighten.



STEP 5. Attach Rail (C) To Top (A) With Wood Screws (f) And Wood Dowels (g) And Tighten.

