

MS1073T0TX-Cherry

MS1074T0TX-Mission Oak

Window-Pane Double-Door Media Cabinet

Assembly Instructions



Southern
ENTERPRISES

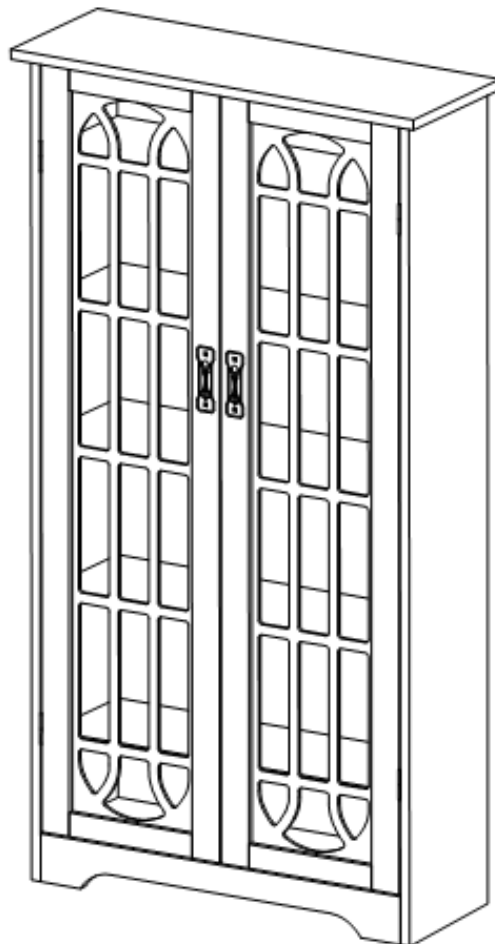
For assistance with assembly contact:

Southern Enterprises Inc.

Customer Service 1-800-633-5096

service@seidal.com

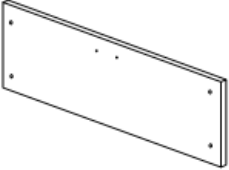
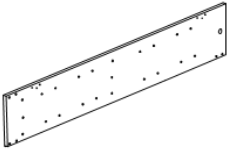
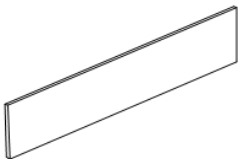

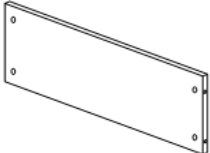
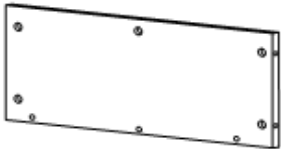
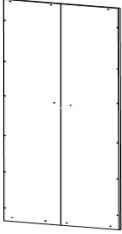

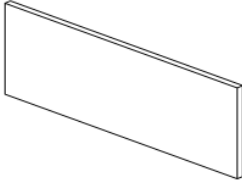


www.seidal.com

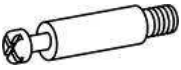





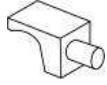









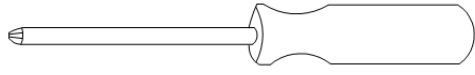


MS1073T0TX-Cherry / MS1074T0TX-Mission Oak Window-Pane Double-Door Media Cabinet Parts List

Please review all parts and hardware before disposing of any packaging. Call Customer Service if missing hardware. Using a screw that is too long will cause damage. Before beginning assembly, separate each type of screw. Carefully study the screw diagrams below.

You may receive extra hardware with your unit.

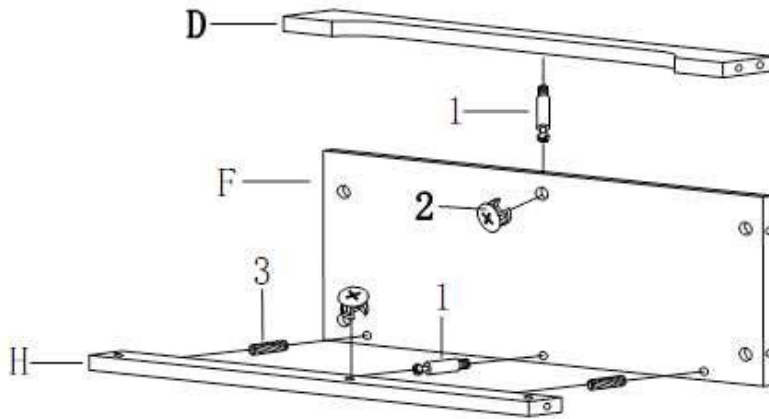
<p>A 1pc</p>  <p>Top Panel</p>	<p>B 1pc</p>  <p>Left Side Panel</p>	<p>C 1pc</p>  <p>Right Side Panel</p>
<p>D 1pc</p>  <p>Bottom Front Stretcher</p>	<p>E 3pcs</p>  <p>Middle- Shelf</p>	<p>F 1pc</p>  <p>Bottom Shelf</p>
<p>G 1pcs</p>  <p>Back Panel</p>	<p>H 1pcs</p>  <p>Bottom Back Stretcher</p>	<p>I 2pc</p>  <p>Shelf</p>
<p>J 1pc</p>  <p>Left Facing Door</p>	<p>K 1pc</p>  <p>Right Facing Door</p>	

1  Cam Bolt ϕ 6.8x36 mm 26pcs	2  Cam Lock ϕ 15x12 mm 26pcs	3  Wood Dowel ϕ 8x30 mm 4pcs
4  Black Screw ϕ 3x12 mm 26pcs	5  Handle 2pcs	6  Bolts ϕ 5/32" x12 mm 4pcs
7  Shelf Holder 8pcs	8  Door Catch 1pcs	9  Antique Bronze Screw \square 3x12 mm 2pcs
10  Hinge 4pcs	11  Screw ϕ 3x12 mm 28pcs	12  Door Catcher 2pcs
13  Screw ϕ 2.5x12 mm 2pcs	14  Bracket 2pcs	15  Plastic Anchor 2pcs
16  Screw ϕ 4x44mm 2pcs		
Care and Cleaning Instructions: Before using , wipe with a clean , dry cloth. Periodically apply furniture wax to renew The finish. Avoid rubbing or scratching the surface with rough or abrasive objects.		For replacement parts or questions, please call Customer Service at 1-800-633-5096. Please call manufacturer for assistance, questions or parts.
Assembly Tool Required No.2 Phillips Screwdriver		

Tool List: 3/16" drill bit, drill, tape measure and pencil.

MS1073T0TX-Cherry / MS1074T0TX-Mission Oak

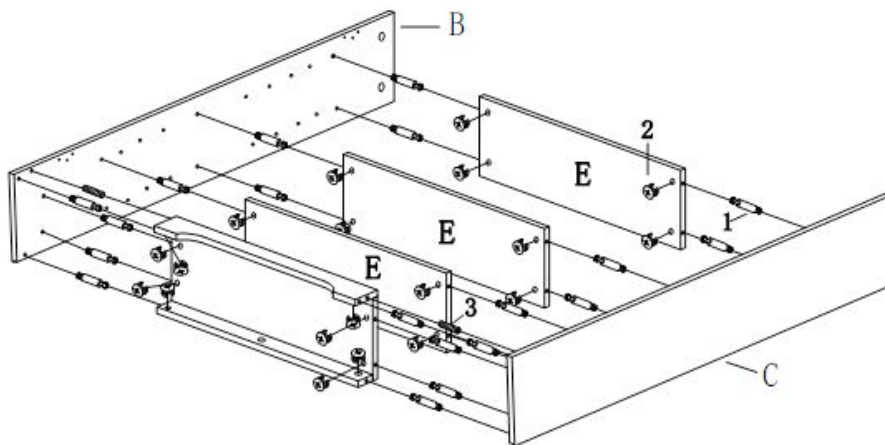
Window-Pane Double-Door Media Cabinet Assembly Instructions



Step 1:

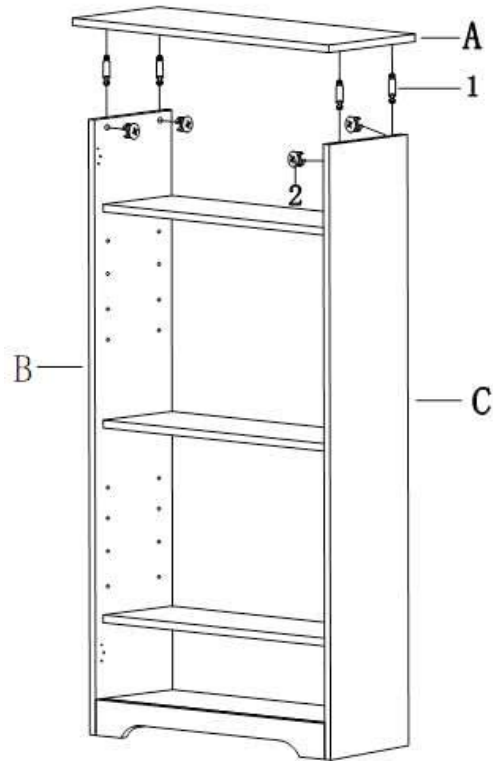
**PLEASE DO NOT
OVER-TIGHTEN CAMBOLTS.
PLEASE STOP WHEN
YOU FEEL TIGHT**

Attach bottom front stretcher (D) and bottom back stretcher (H) to bottom shelf (F) by using cam bolt (1), cam lock (2) and wood dowel (3) as shown.



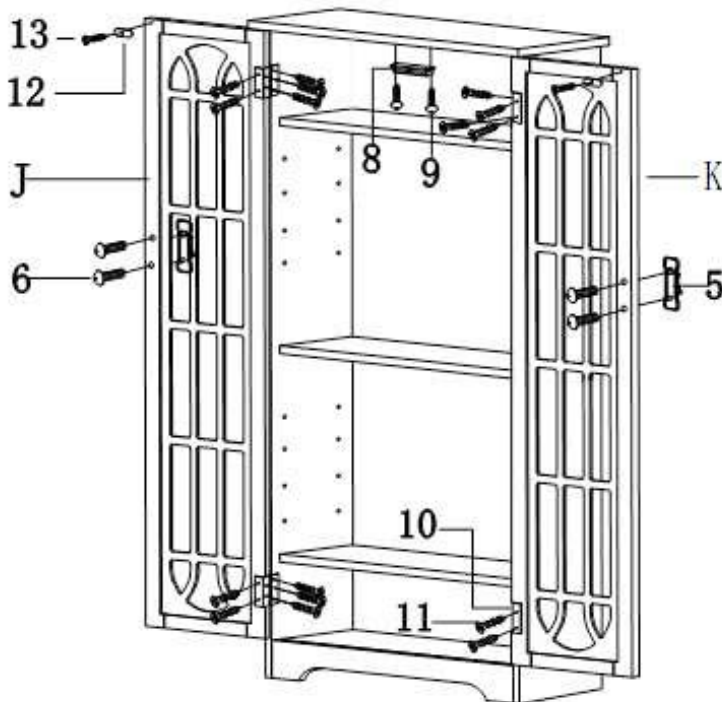
Step 2:

Attach left side panel (B) and right side panel (C) to the frame, and 3 pcs middle-shelf (E) by using cam bolt (1), cam lock (2) and wood dowel (3) as shown.



Step 3:

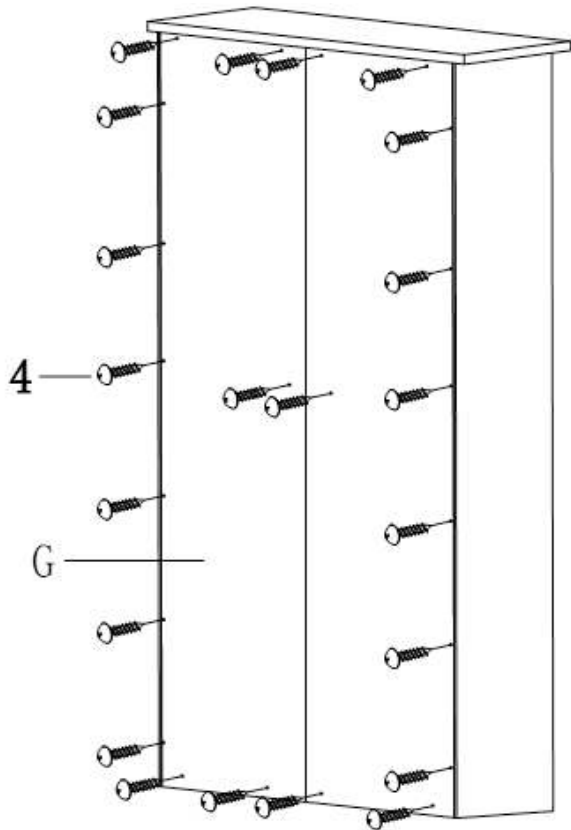
Attach top panel (A) to the frame by using cam bolt (1), cam lock (2) as shown.



Step 4:

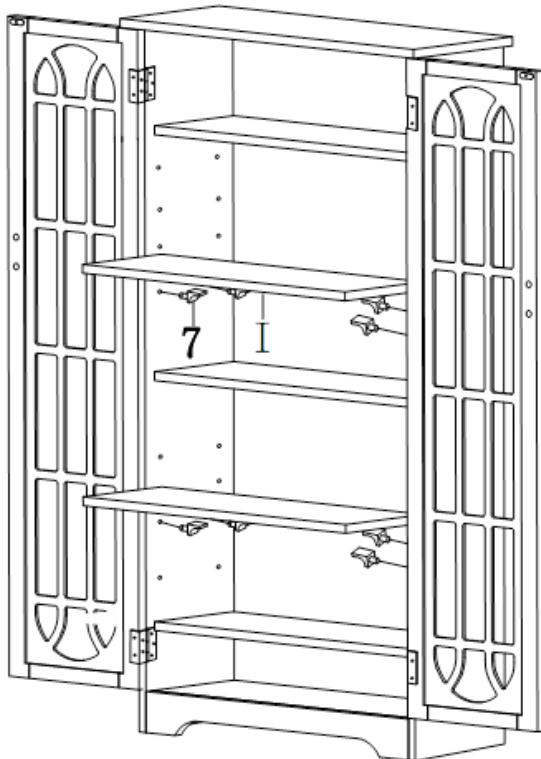
Attach left facing door (J) and right facing door (K) to the frame by using hinge (10) and screw (11) as shown.

Then attach door catch (8) to the top of frame by using screw (9), attach door catcher (12) and handle (5) to both doors by using screw (13) and screw (6) as shown.



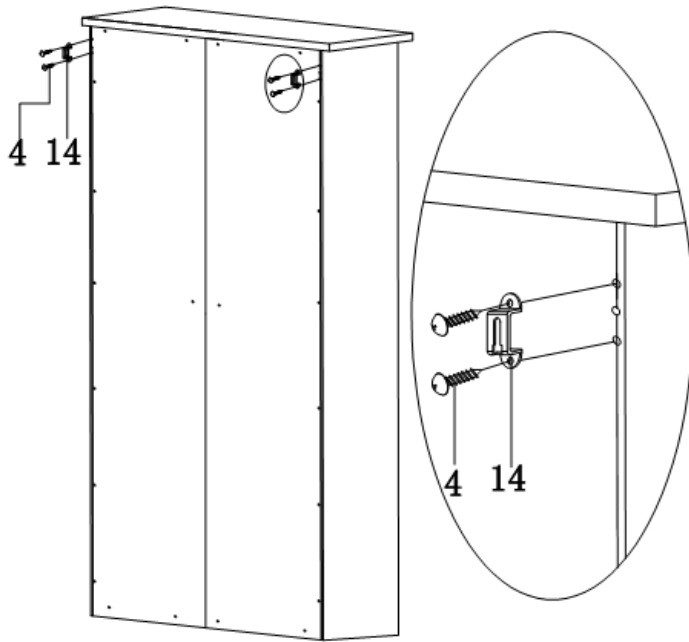
Step 5:

Attach back panel (G) to the back of frame by using screw (4) as shown.



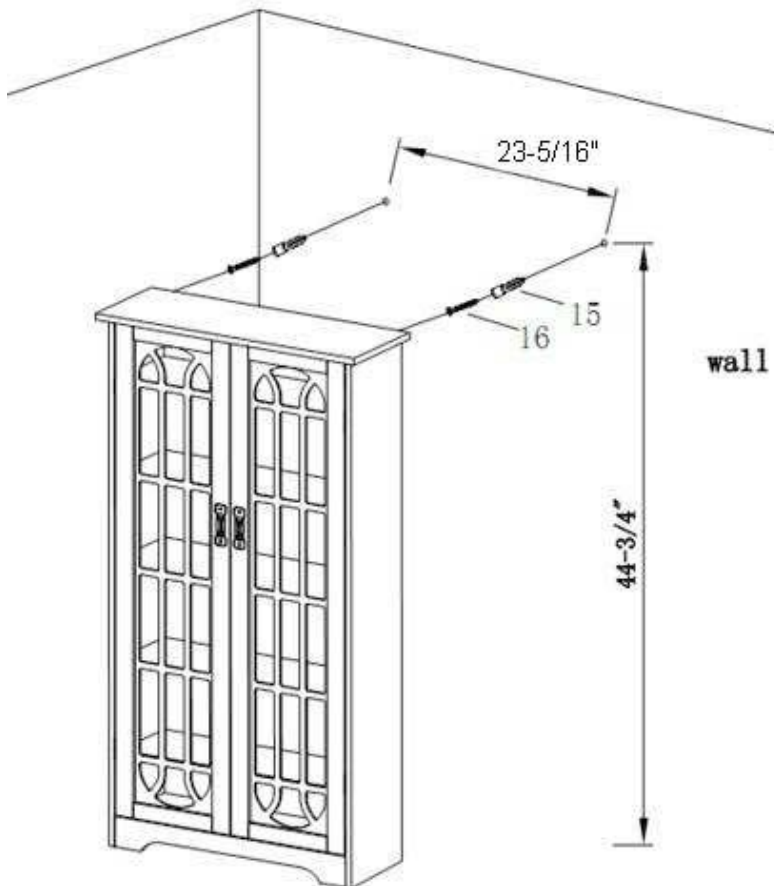
Step 6

Insert shelf holder (7) then put on all shelves (I) as shown.



Step 7

Attach bracket (14) to the back of cabinet by using screw (4) as shown.



Step 8

Drill two $\frac{3}{16}$ " holes on the wall with measurements as shown.

Please mount at least 1 screw into a wall stud. No anchors needed when attaching screws directly to a wall stud

Insert plastic anchors (15) into the holes of wall. (When doing this, you will need a hammer help you).

Inserting screw (16) into plastic anchor (15) as shown.

Parts Replacement Form

Customer Information

Name _____

Address _____

City/State/Zip Code _____

Phone Number _____

Please indicate where you purchased this item: Store/Website/Catalog

Please indicate color/size/style number:

Style No	Parts Letter	Parts Description
Quantity Needed		

Please immediately examine this product carefully. Any request for missing parts or damage replacement must be received within 90 days of your receipt of the product. Replacement, if available, will be honored within this time frame. Parts will not be available for items arriving fully assembled. We do not recommend modifying product(s) and we are not responsible for any damages due to product modification(s). If damages or missing parts are not reported within 90 days of your receipt, we are under no obligation to provide parts or replacement merchandise.

Please contact Southern Enterprises at 800-633-5096 or in Dallas 972-869-0111/ 9am – 4pm Mon-Fri Central time if you have product issues or email us at service@seidal.com. Please ask for customer service representative for issues involving damages or replacement parts. Please ask for technical assistance representative for any issues with product and assembly/construction.

Please contact the retailer that you purchased from for returns.



Southern
ENTERPRISES

Customer Service 1-800-633-5096

service@seidal.com

Southern Enterprises, Inc.

600 Freeport Parkway, Suite 200

Coppell, Texas 75019