

How to Mount Your New Wall Teester to the Wall

1. Hold teester with one hand where you want it to hang it on the wall.
2. Then with the other hand level your teester.
3. Carefully mark the level screw locations.
4. Remove Teester.
5. Drill a screw into each of the marked locations.
6. Hang your teester.



1



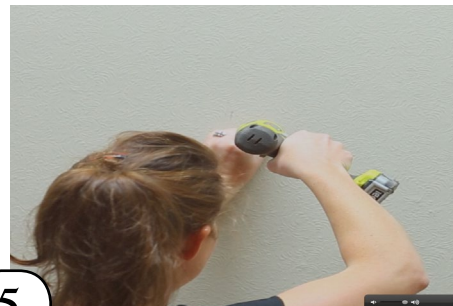
2



3



4

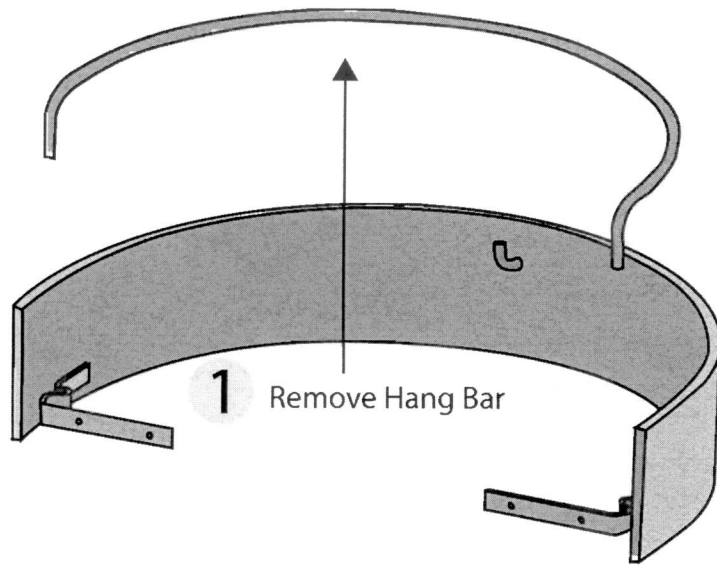


5



6

How to Hang Your Panel(s) In Your New Wall Teester.



1. Take the removable bar and insert it into the rod pocket of your panel(s).
2. Push first panel all the way over to the side and repeat with second panel.
3. Place curtains behind the teester.
4. Insert the removable bar into the teester. Make sure the rod sits atop the support after fabric is installed and rod is secured into side support brackets.
5. Fluff and adjust your panel(s) as needed.

