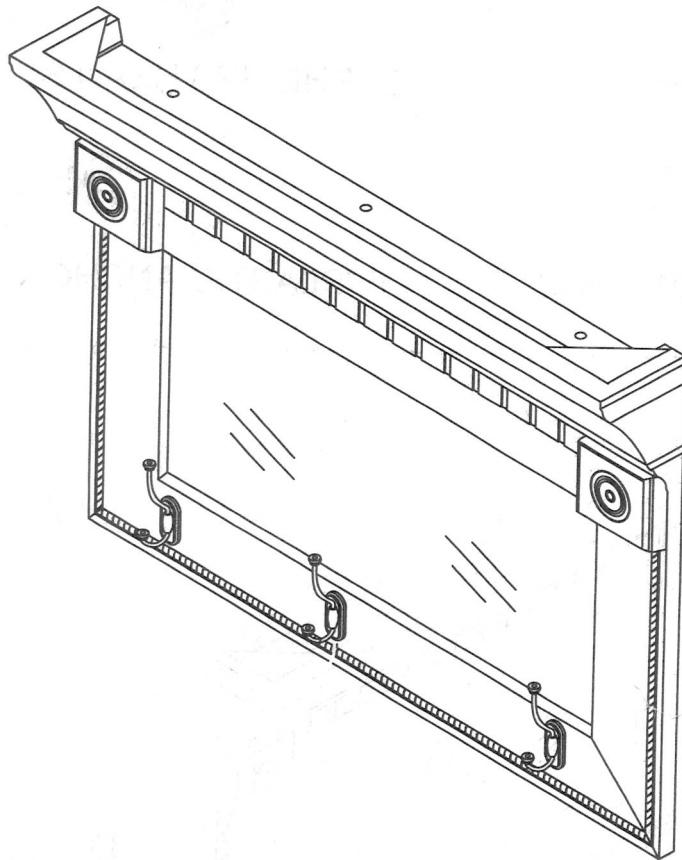


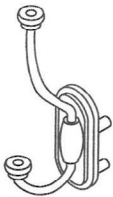
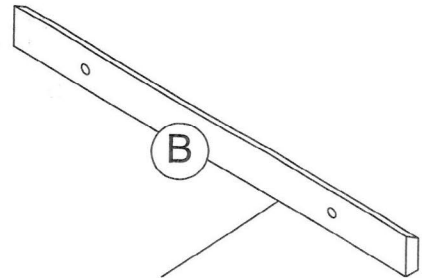
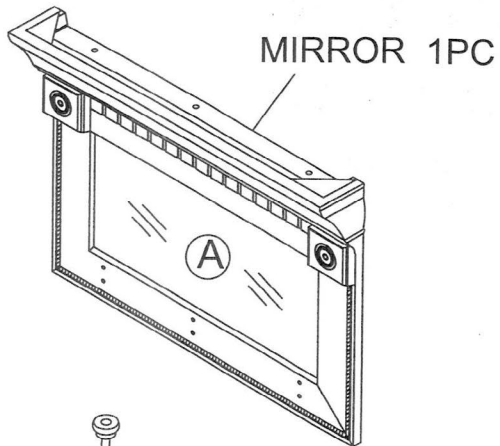
# **Touch of Class Catalog**

## **Dentil Pediment Hall Mirror**

**Item No.: 35147C-Classic Cherry  
3517K-Windsor Oak**



# PART LIST:



C BRASS HOOK 3PCS



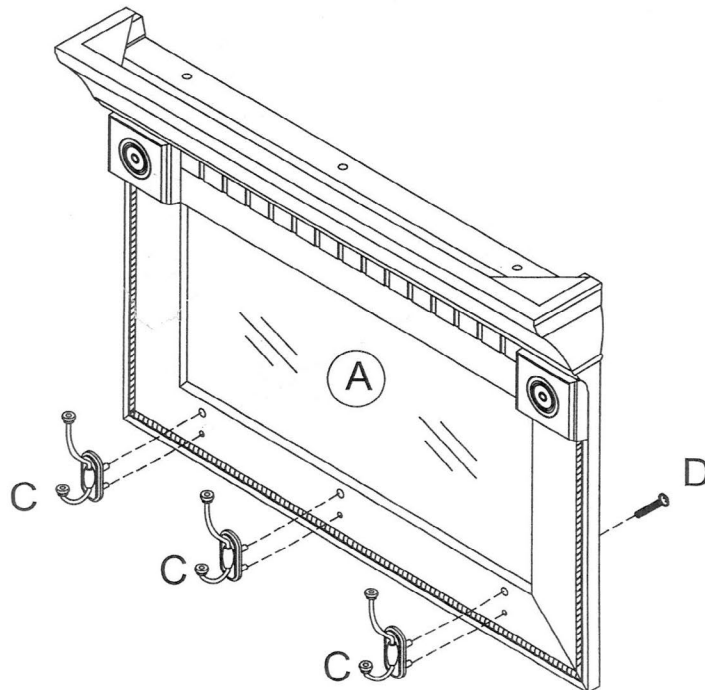
D PHILLIPS HEAD SCREW 3PCS



E FLAT HEAD SCREW 2PCS

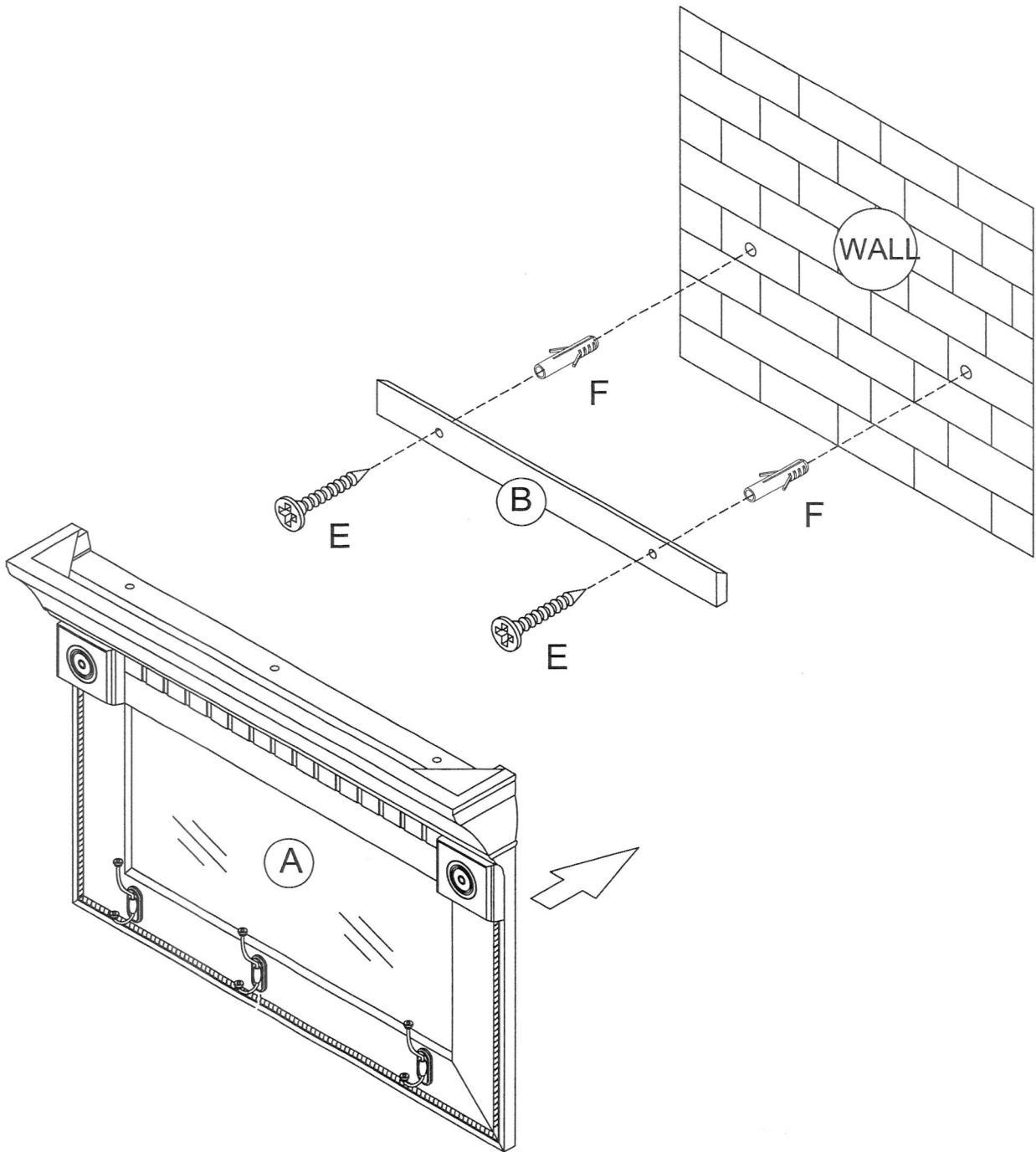


F PLASTIC ANCHOR 2PCS



## STEP 1

1. ATTACH BRASS HOOKS (C) TO MIRROR (A) WITH PHILLIPS HEAD SCREWS (D).



## STEP 2

1. DETERMINE PROPER HEIGHT FOR THE MIRROR.
2. DRILL HOLES IN DRY WALL-TAP IN PLASTIC ANCHORS (F).
3. ATTACH CROSS BRACE (B) TO WALL WITH FLAT HEAD SCREWS (E)
4. PLACE MIRROR (A) ON CROSS BRACE (B).