

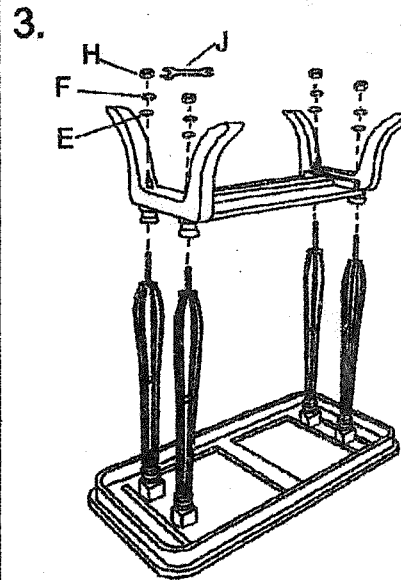
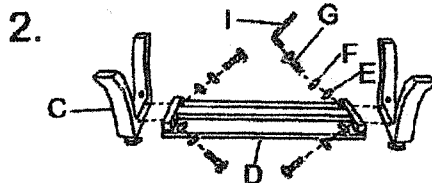
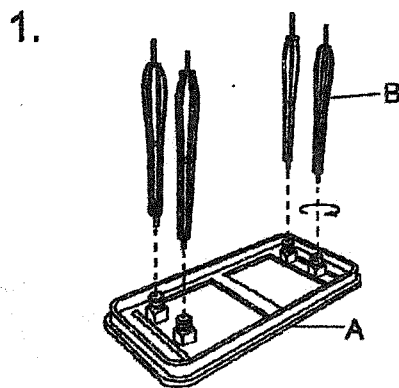
ASSEMBLY INSTRUCTIONS

ITEM NO.: M30012

Parts required

A			1pc
B			4pcs
C			2pcs
D			1pc

E		Flat washer	Φ8MM	8pcs
F		Lock washer	Φ8MM	8pcs
G		Bolt	Φ8×35MML	4pcs
H		Nut	Φ8MM	4pcs
I		Allen key		1pc
J		Wrench wrench		1pc



1. Take out all parts from carton, please be careful to not throw away the hardware packet.
2. Place table top (A) on a clean, flat surface. Screw center poles (B) into table top (A). Do not tighten.
3. Attach two legs (C) to cross bar (D) by flat washer (E) first, then lock washer (F), close with Allen bolt (G) by allen key (I). Do not tighten.
4. Attach the whole base (C & D) to center poles (B) by flat washer (E) first, then lock washer (F) close with allen nuts (H) by allen wrench (J).
5. Turn over the whole piece, adjust stability and tighten as needed. Your console table is ready for use.