



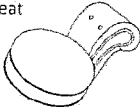



Saraphina Non Swivel Vanity Stool

Model #51056/51057

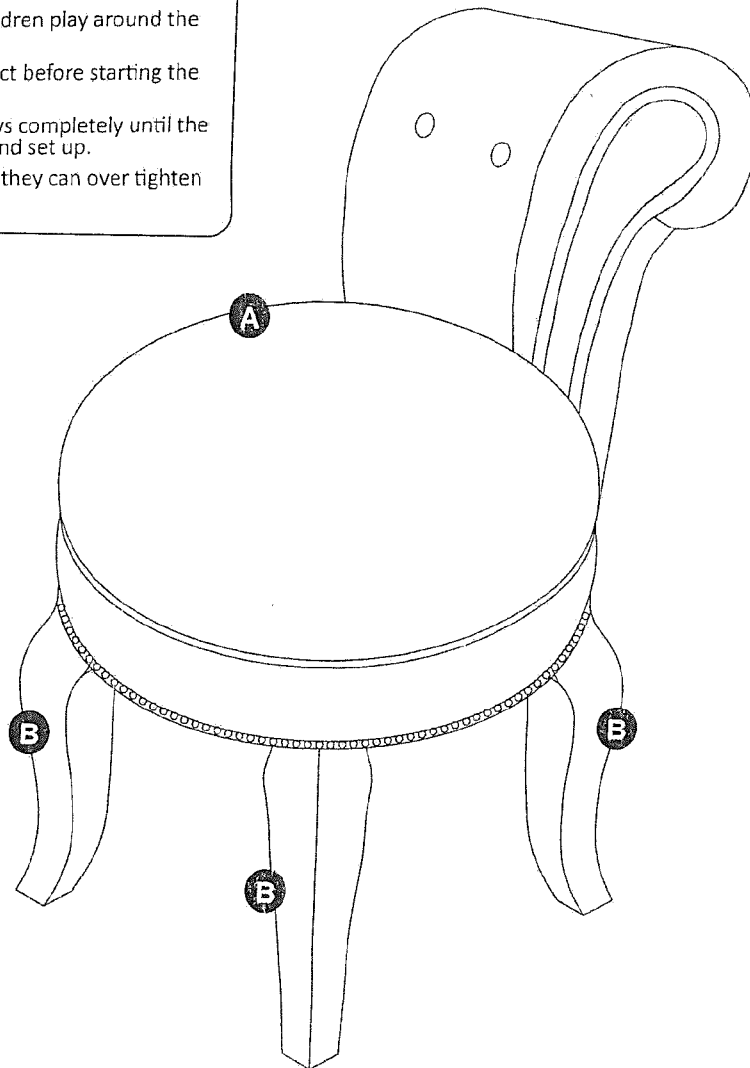
Examine all packaging material for small parts that may have come loose during shipment. Periodic checks are recommended to insure that all components are in proper position, tight and free from damage. Keep this assembly instruction for future reference. Adult assembly is required. The product of Hillsdale Furniture, LLC is designed for residential use only. Customer Service Phone Number: 502-562-0000

CODE	QTY	HARDWARE
1	8	Φ1/4" 1-1/2" Allen Bolts 
2	8	Φ1/4" Spring Washers 
3	8	Φ6.5*15*1.5mm Flat Washers 
4	1	4mm Allen Wrench 

CODE	QTY	COMPONENTS	CODE	QTY	COMPONENTS
A	1	Seat 	B	4	Legs 

WARNING

- Do not let any sharp objects touch or rub the surface of the product.
- When assembling, do not let children play around the working area.
- Please confirm all parts are correct before starting the assembly process.
- Do not tighten all bolts and screws completely until the entire unit has been assembled and set up.
- Be careful if using power tools as they can over tighten screws and strip threads.



CARE & MAINTENANCE: The touch of a soft cloth is all the maintenance the finish will ever need. Please do not use harsh or abrasive cleaners for polishing, as they may cause damage to the finish. Periodic checks are recommended to make sure that all hardware is securely tightened.

TOC20180724

Saraphina Non Swivel Vanity Stool

Model #51056/51057

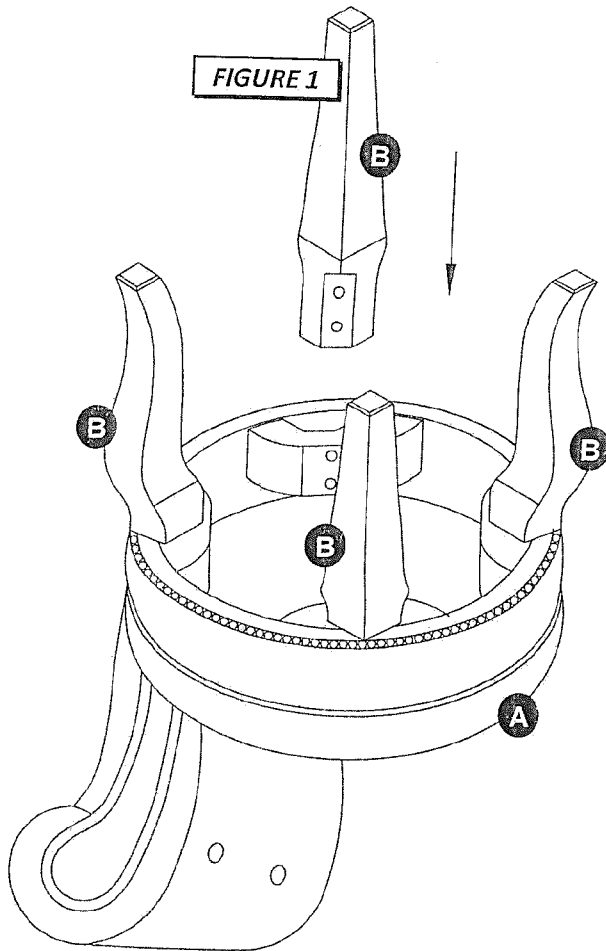


FIGURE 1

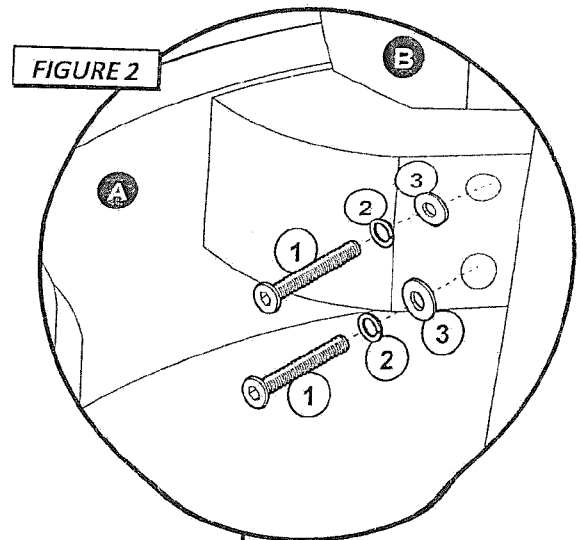
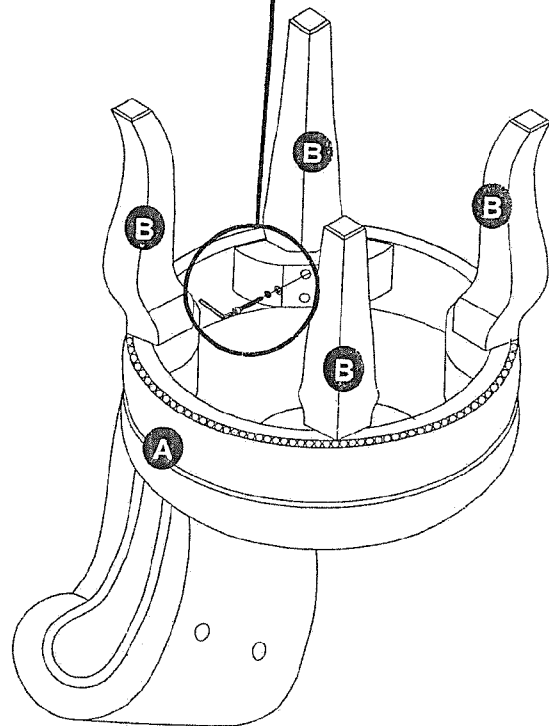


FIGURE 2



STEP 1 - Figure 1

Begin assembly by inserting Legs (B) into Seat (A).

STEP 2 - Figure 2

Secure Legs (B) using 2 Allen Bolts (1), 2 Spring Washers (2), and 2 Flat Washers (3) per leg. Tighten bolts with Allen Wrench (4) provided.