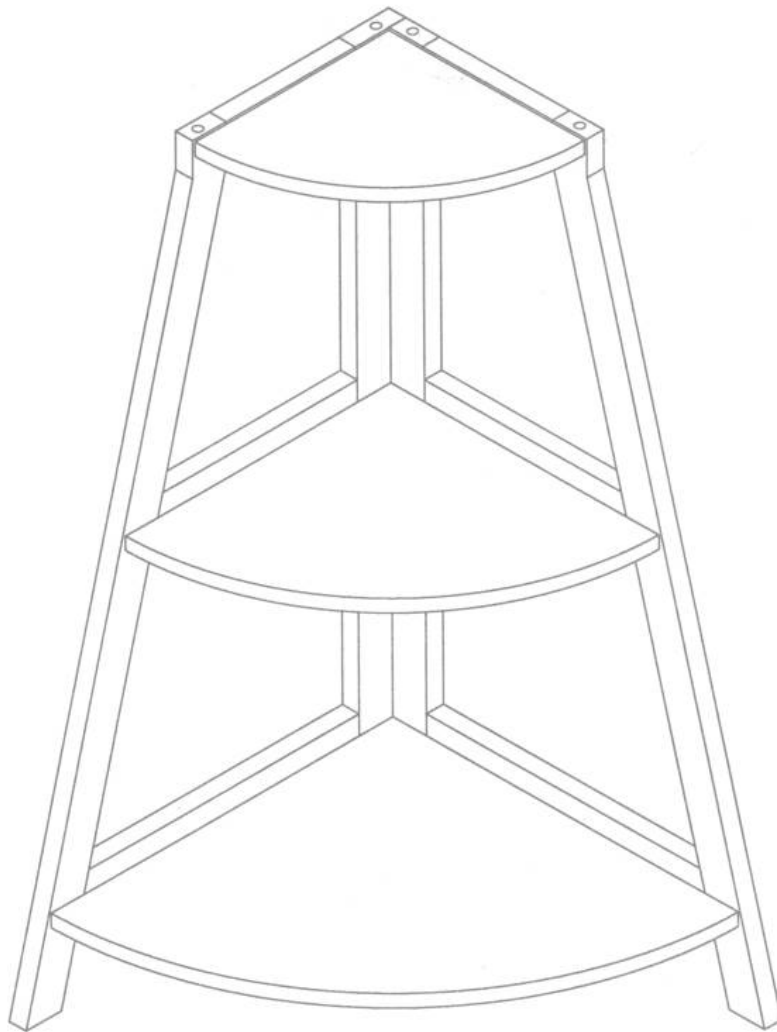


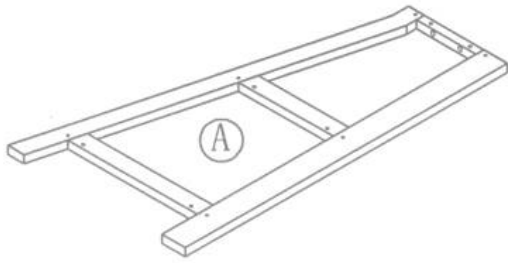
Kimber Ladder Stand

71832B (Black), 71832C (Cherry), 71832K (Oak), 71832N (Natural)

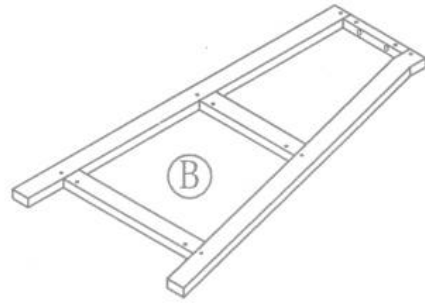


TOC20120117

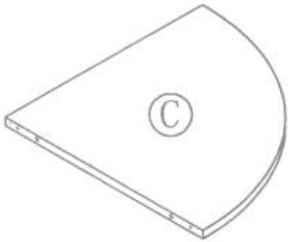
PARTS LIST



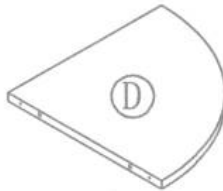
A: LEFT SIDE
FRAME 1PC



B: RIGHT SIDE
FRAME 1PC



C: BOTTOM LARGE
SHELF 1PC



D: MIDDLE MEDIUM
SHELF 1PC



E: TOP SMALL
SHELF 1PC



a: 1" L FLAT HEAD
SCREW 12PCS



b: WOOD DOWEL 12PCS



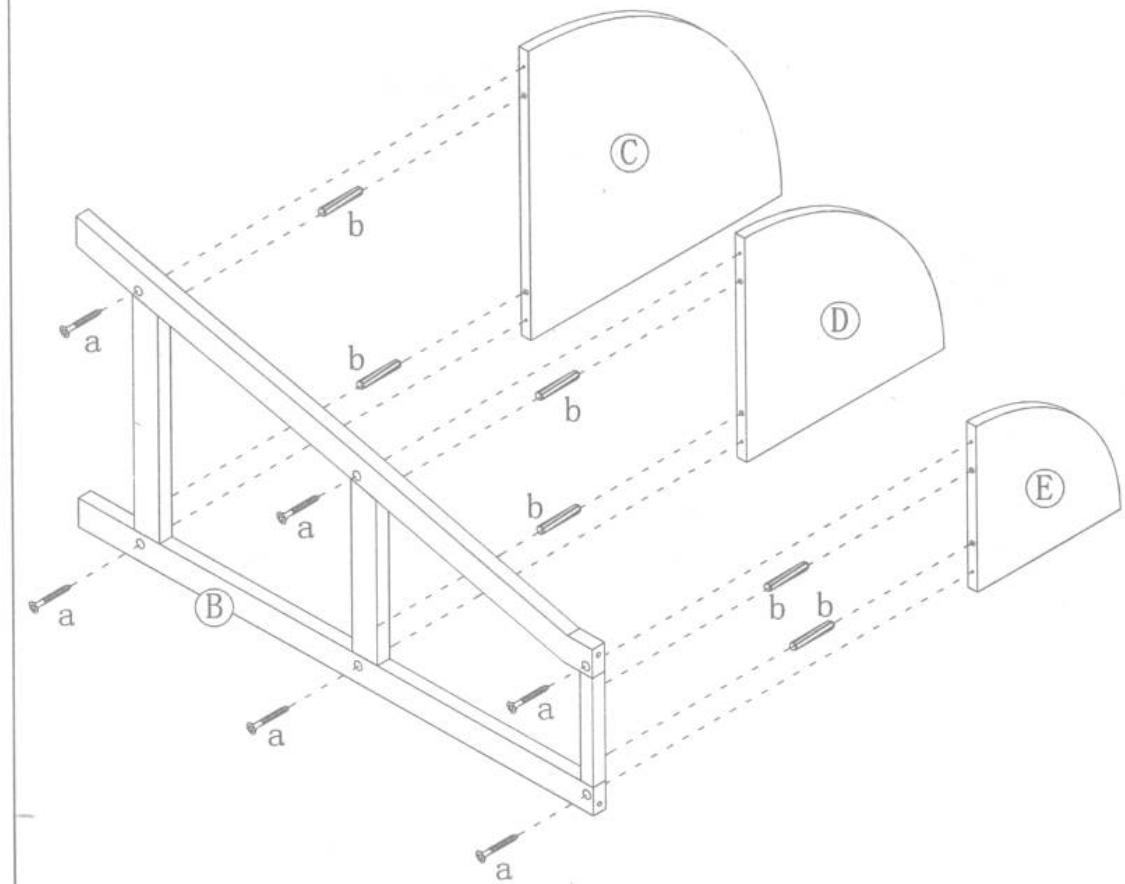
c: WOOD PLUG 12PCS



d: WOOD COVER 4PCS

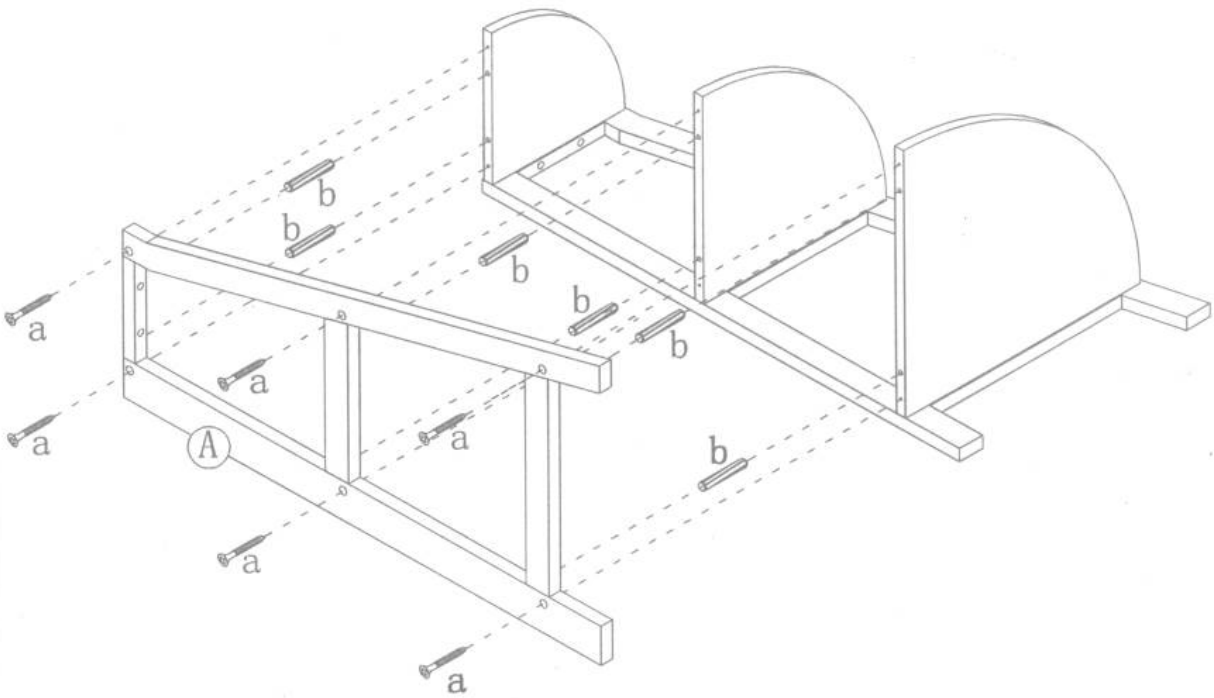
Assembly Instructions

STEP 1



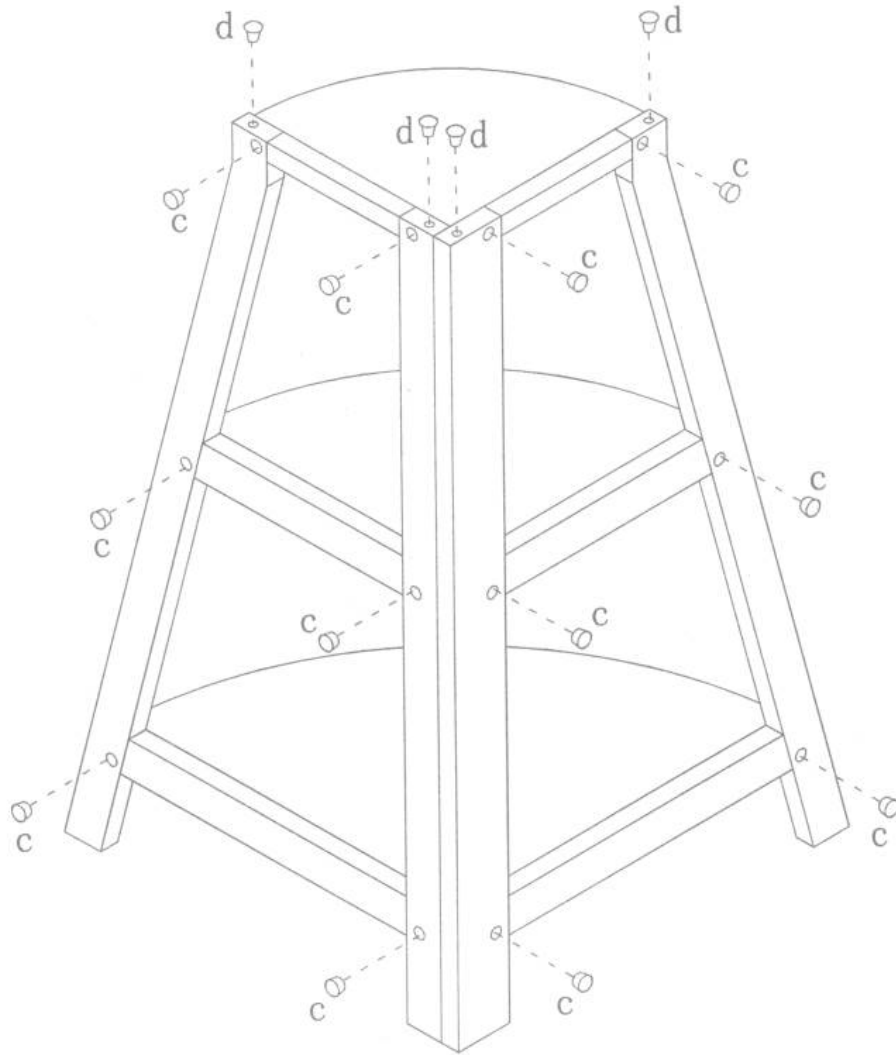
1. Insert wood dowels (b) into predrilled holes in right side frame (B)
2. Attach shelves (C,D,E) to right side frame (B) with flat head screws (a) and tighten

STEP 2



3. Repeat points (1) and (2) to attach shelves (C,D,E) to left side frame (A)

STEP 3



4. Cover screw holes with wood plugs (c) and wood covers (d)