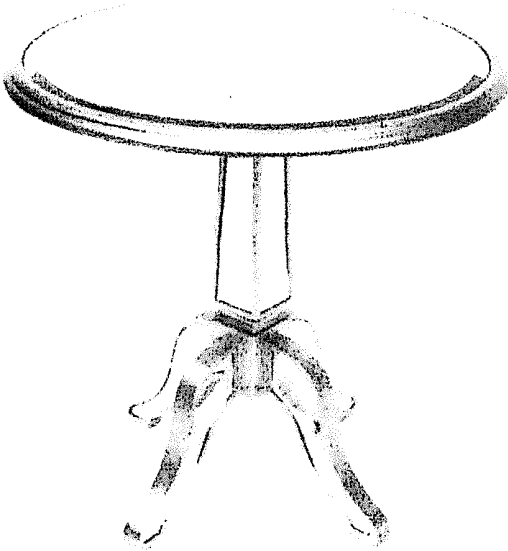


Assembly Instructions



A		Long Bolt	1 PCS
B		Short Bolts	7 PCS
C		Large Lock Washer	1 PC
D		Large Metal Washer	1 PC
E		Small Lock Washers	7 PCS
F		Small Metal Washers	7 PCS

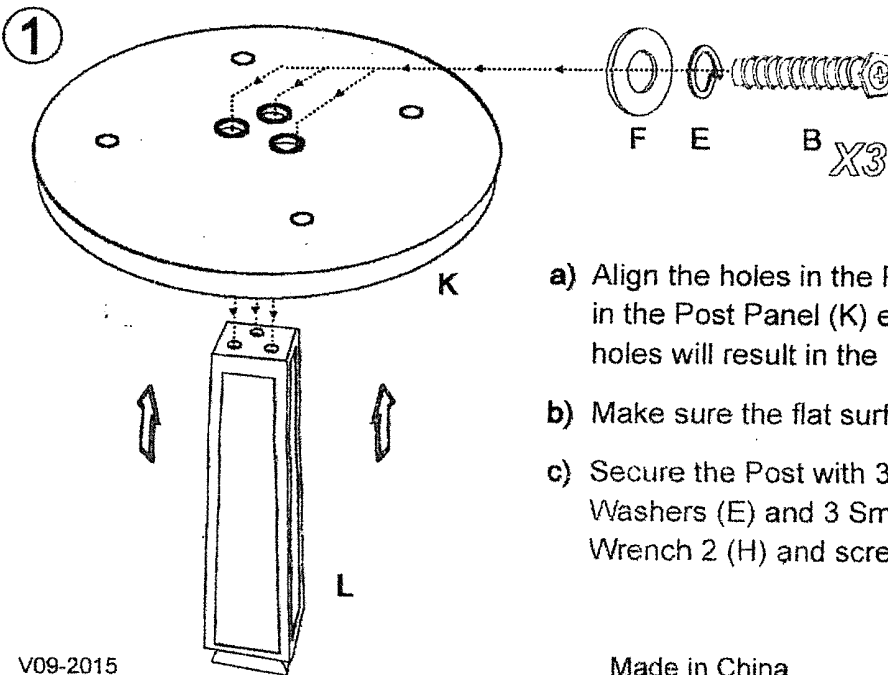
TOOLS REQUIRED

G		Open Wrench 1 (Large Opening)	1 PC
H		Open Wrench 2 (Small Opening)	1 PC
		Screwdriver (not included)	

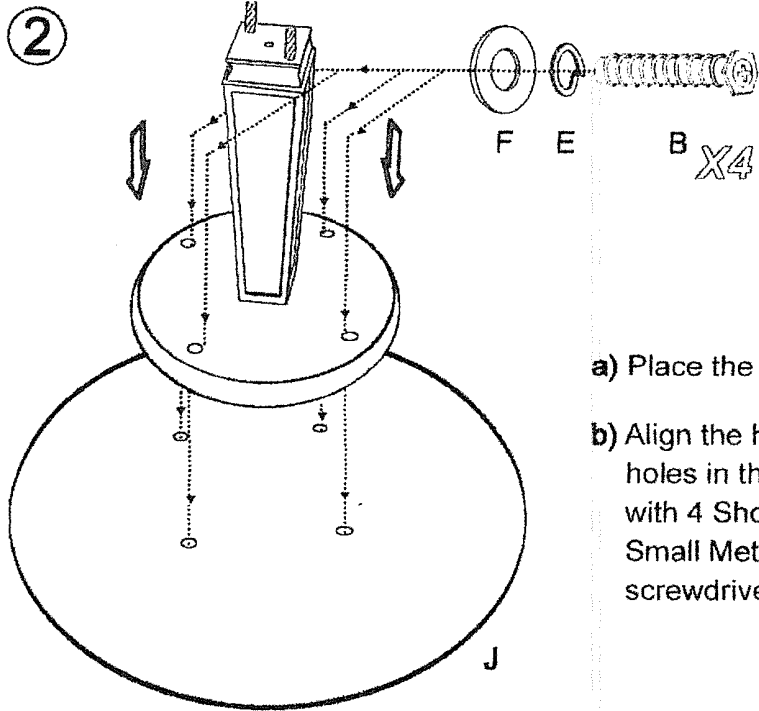
COMPONENTS

J		Table Top	1 PC
K		Post Panel	1 PC
L		Post	1 PC
M		Base	1 PC

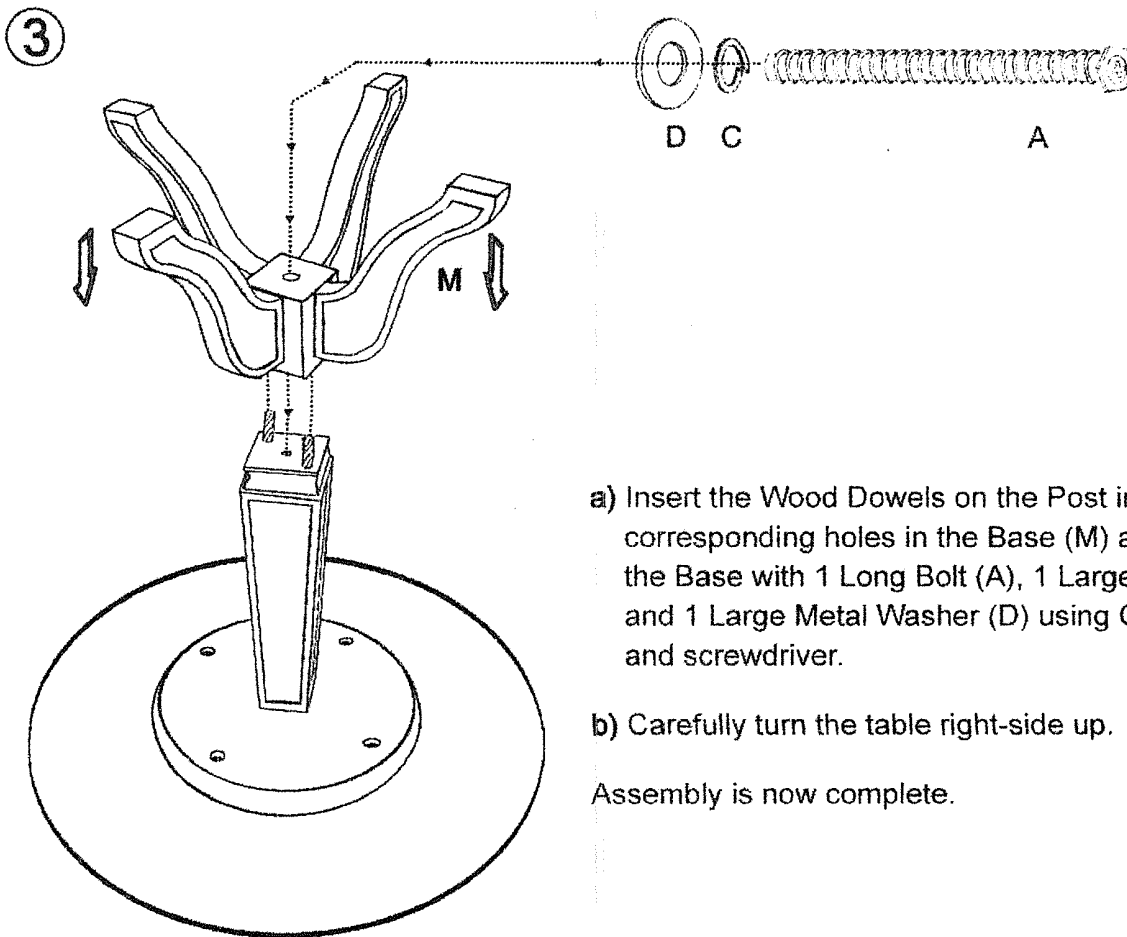
- * Please make sure you have all the hardware & components before assembling this item.
- * This item should be assembled on a soft surface to prevent making any scratches on its finish during the assembly.
- * This item may require periodic tightening.



- Align the holes in the Post (L) with the corresponding holes in the Post Panel (K) exactly as shown. Align with incorrect holes will result in the Post in inappropriate position.
- Make sure the flat surface of the Post Panel faces up.
- Secure the Post with 3 Short Bolts (B), 3 Small Lock Washers (E) and 3 Small Metal Washers (F) using Open Wrench 2 (H) and screwdriver.



- a) Place the Table Top (J) upside down on a soft surface.
- b) Align the holes in the Post Panel with the corresponding holes in the Table Top as shown. Secure the Post Panel with 4 Short Bolts (B), 4 Small Lock Washers (E) and 4 Small Metal Washers (F) using Open Wrench 2 (H) and screwdriver.



- a) Insert the Wood Dowels on the Post into the corresponding holes in the Base (M) as shown. Secure the Base with 1 Long Bolt (A), 1 Large Lock Washer (C) and 1 Large Metal Washer (D) using Open Wrench 1 (G) and screwdriver.

b) Carefully turn the table right-side up.

Assembly is now complete.

Cleaning & Care: To preserve your painted finish, please remove dust with soft damp cloth.
Do not use cleaners as they may damage the finish.