



ASSEMBLY HARDWARE

A		Long Bolts	4 PCS
B		Short Bolts	8 PCS
C		Lock Washers	12 PCS
D		Metal Washers	12 PCS

TOOL REQUIRED

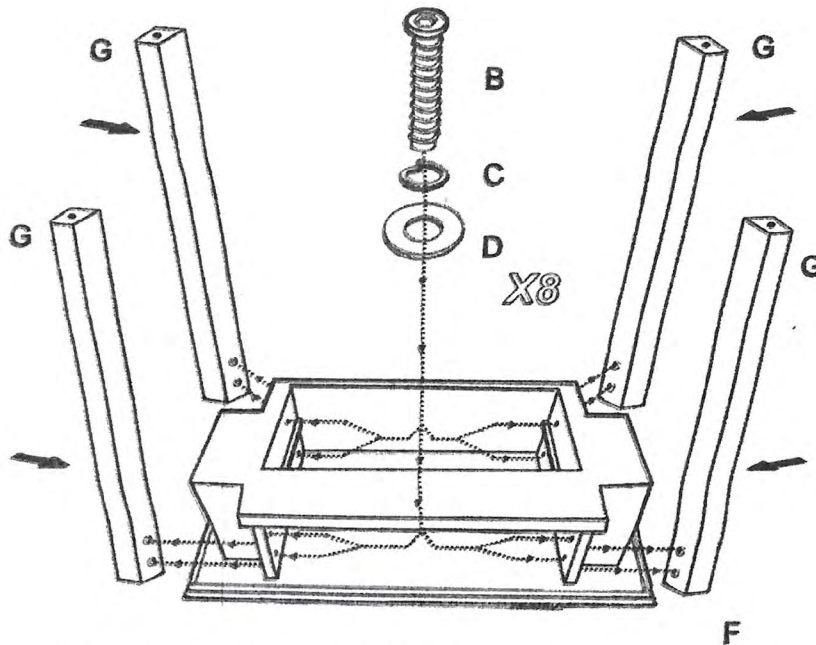
E		Allen Wrench	1 PC
---	--	--------------------	------

COMPONENTS

F		Table Top	1 PC
G		Legs	4 PCS
H		Shelf Panel	1-PC
J		Feet	4 PCS

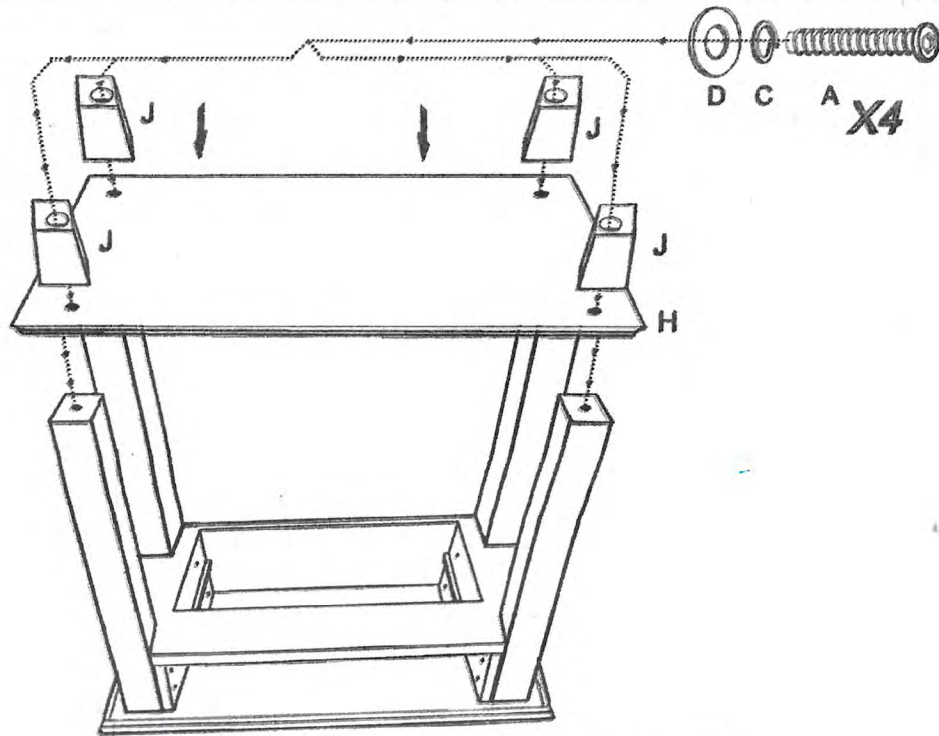
- * Please make sure you have all the hardware & components before assembling this item.
- * This item should be assembled on a soft surface to prevent making any scratches on its finish during the assembly.
- * This item may require periodic tightening.
- * Two (2) people are recommended to assemble this item.

①



- 1) Pull out the drawer from the Table Top (F). With the assistance of another adult, carefully place the Table Top upside down on a soft surface.
- 2) Align the holes in the Legs (G) with the corresponding holes in the Table Top. Secure each Leg with 2 Short Bolts (B), 2 Lock Washers (C) and 2 Metal Washers (D) using Allen Wrench (E).

2



- 1) With the assistance of another adult, carefully align the holes in the Legs with the corresponding holes in the Shelf Panel (H) and Feet (J). Secure each Foot with 1 Long Bolt (A), 1 Lock Washer (C) and 1 Metal Washer (D) using Allen Wrench (E).
- 2) Affix 1 felt pad on the bottom of each Foot.

3



- 1) With the assistance of another adult, carefully turn the Side Table right-side up.
 - 2) Slide the drawer into the Side Table.
- The assembly is now complete.

CARE AND MAINTENANCE: Clean surfaces with a dry or damp soft cloth. Do not use abrasive cleaners.