

COMPONENTS

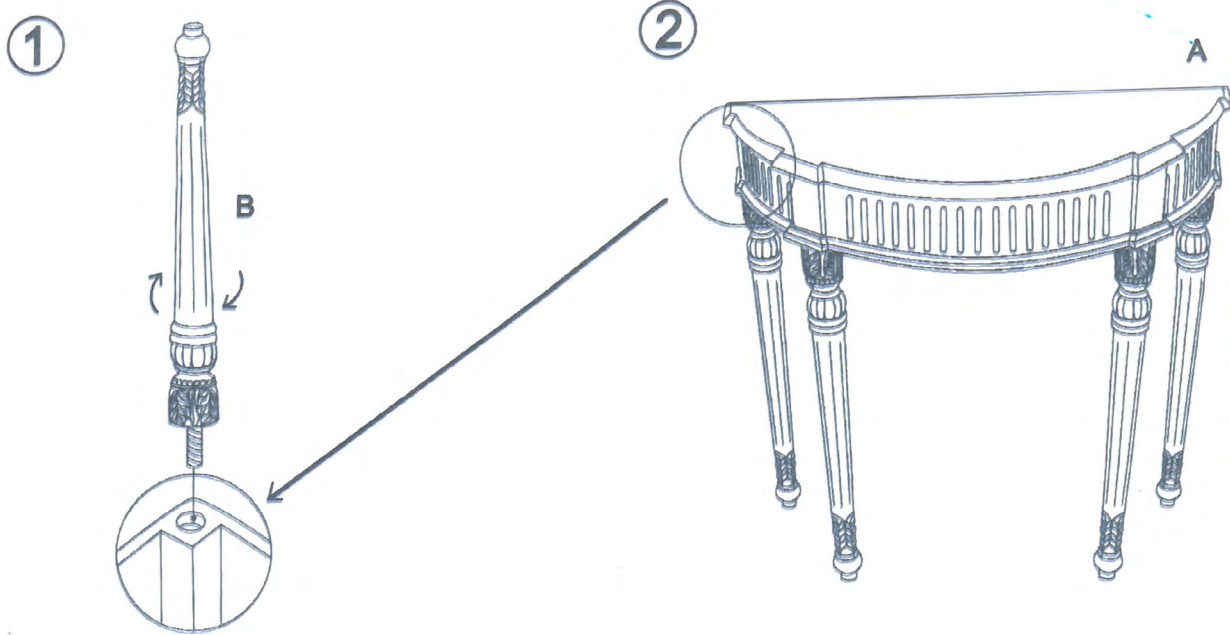
A
Table Top 1 PC

B
Legs 4 PCS



Important Notes:

- * Please make sure you have all the components before assembling this item.
- * This item should be assembled on a soft surface to prevent making any scratches on its finish during the assembly.
- * This item may require periodic tightening.
- * Two (2) people are recommended to assemble this item.



- 1a)** With the assistance of another adult, carefully place the Table Top (A) upside down on a soft surface.
- 1b)** Align the exposed threads at the Legs (B) with the holes in the Table Top. Tighten the Legs by hand in clockwise direction.
- 2)** Turn the Console Table right-side up.
- The assembly is now complete.

Cleaning & Care: To preserve your painted finish, please remove dust with soft damp cloth. Do not use cleaners as they may damage the finish.