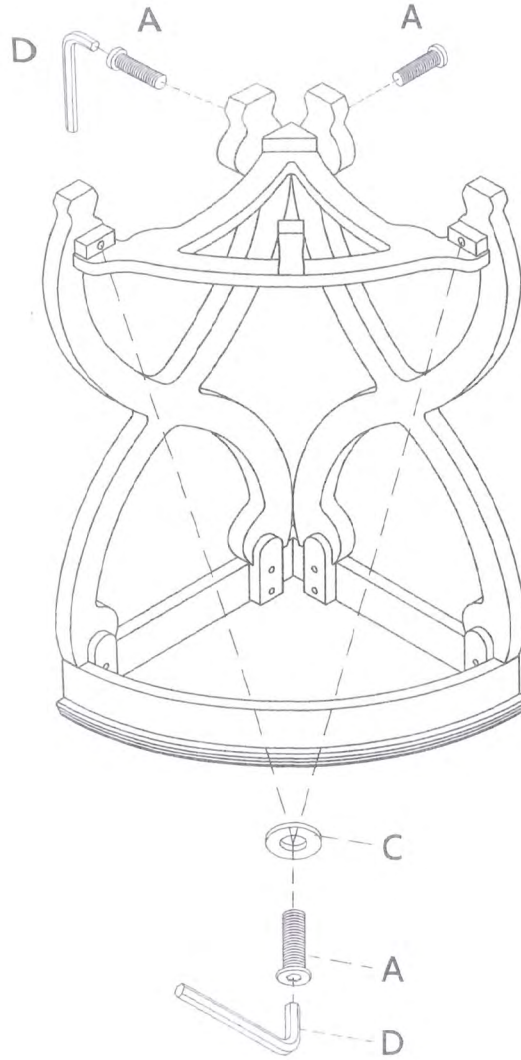
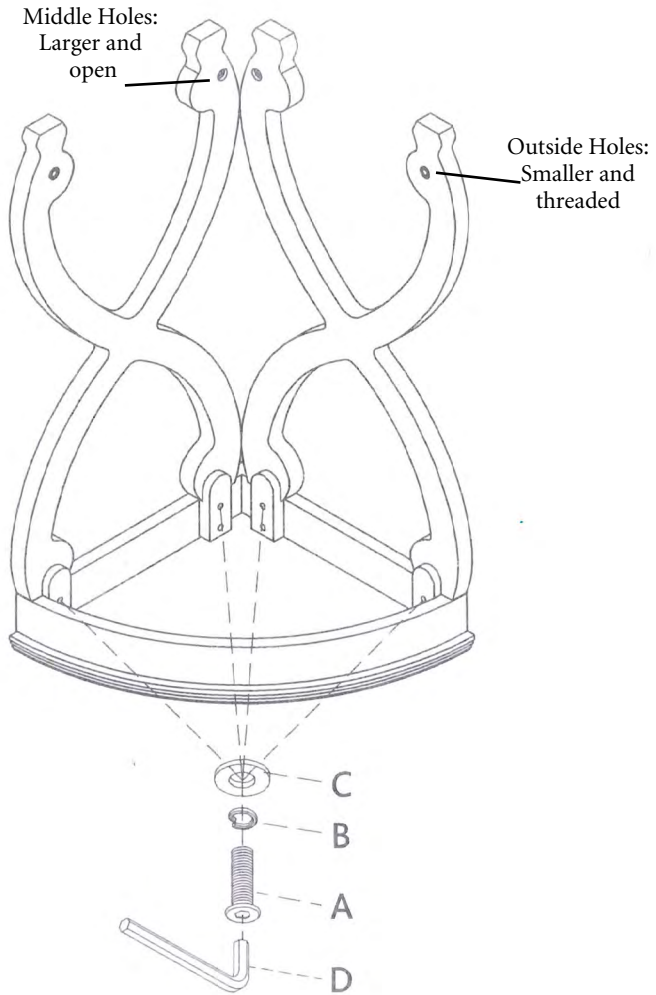






Please note:
 The holes in the middle
 are larger and more open.
 The holes on the outside
 are smaller and threaded.



no:	Part	Specifications	Quantity
A		1/4*1-1/4"	12
B		1/4	8
C		1/4	10
D		4mm	1

