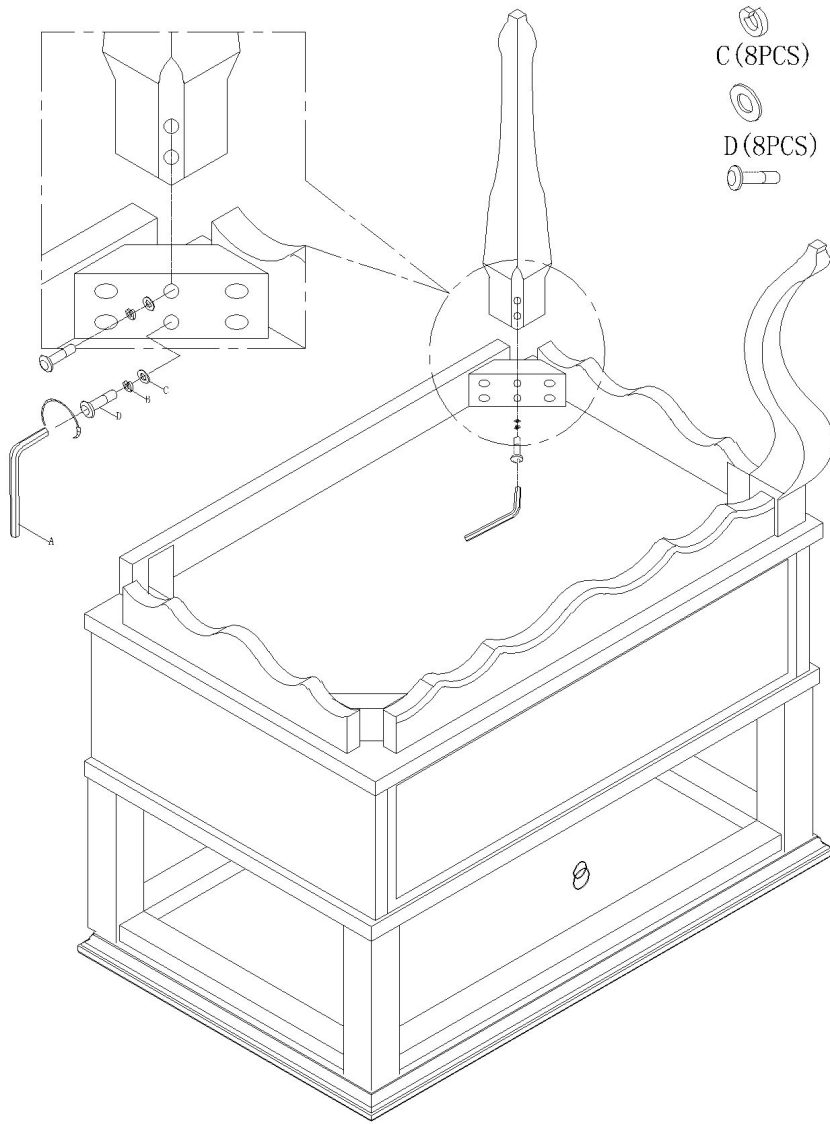
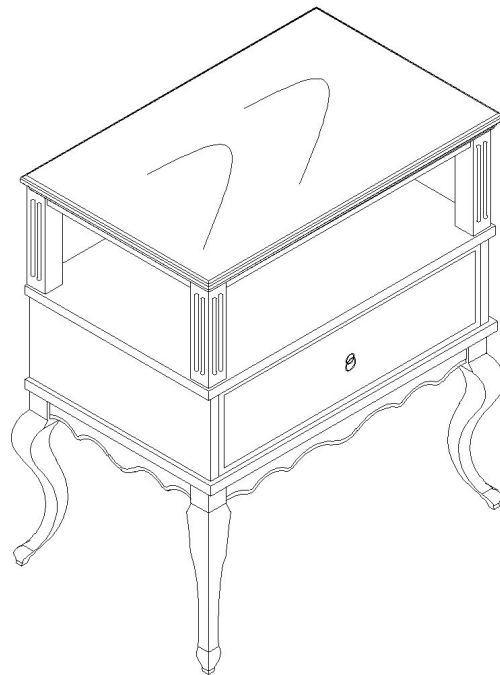






**step**



**final**



A		Allen Key	1PC
B		Ø $\frac{1}{4}$ "*1"	8PCS
C		Ø $\frac{1}{4}$ "	8PCS
D		Ø $\frac{1}{4}$ "	8PCS