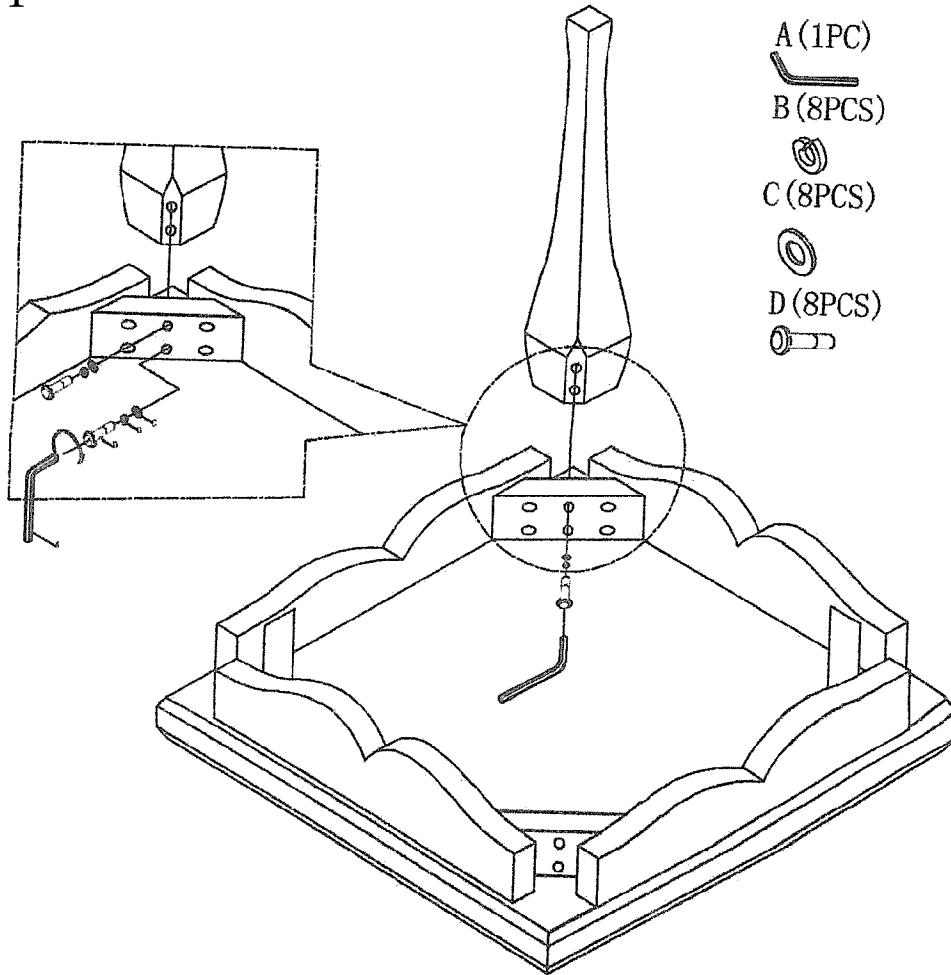


# step 1



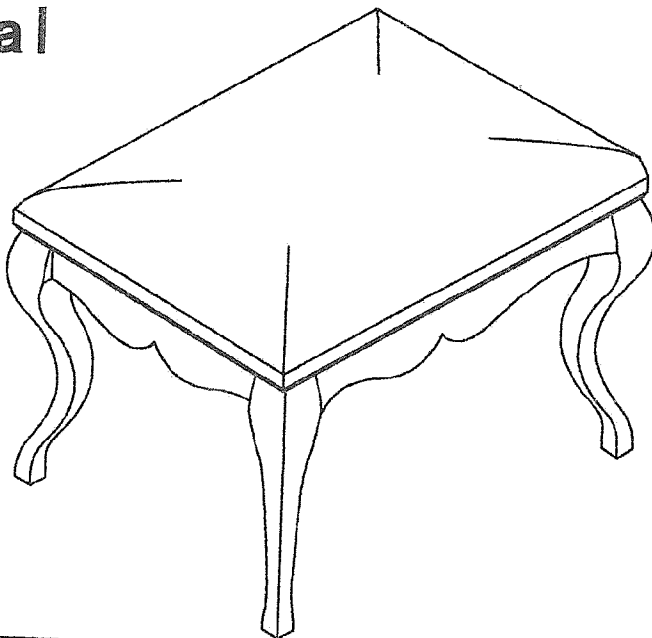
A (1PC)





B (8PCS)

C (8PCS)

D (8PCS)

# final



A		Allan key	1PC
B		$\text{Ø}\frac{1}{4} \times 1''$	8PCS
C		$\text{Ø}\frac{1}{4}''$	8PCS
D		$\text{Ø}\frac{1}{4}''$	8PCS