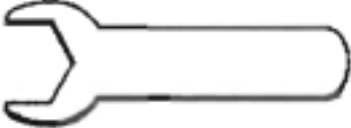




Aldabella Space Saver

Assembly Instructions

Parts Required		
Part	Description	Quantity
	wrench	1
	Allen wrench	1
	nut	2 (attached to bottom of third shelf)

1. Remove all parts from the carton and place on a flat surface.
2. Using the wrench, remove the nuts from the metal pegs on the bottom of the third shelf.
3. Unfold side panels and fold down each of the three shelves, securing metal pegs inside holes in side panels.
4. Secure the bottom shelf with nuts and tighten with wrench.
5. **If you wish to place space saver behind your toilet**, you must first remove the bottom support bar using the Allen wrench.
6. With the help of another person, turn the space saver upright. **If placing behind your toilet, replace the bottom support bar once space saver is in place.** Tighten Allen bolts to ensure stability.