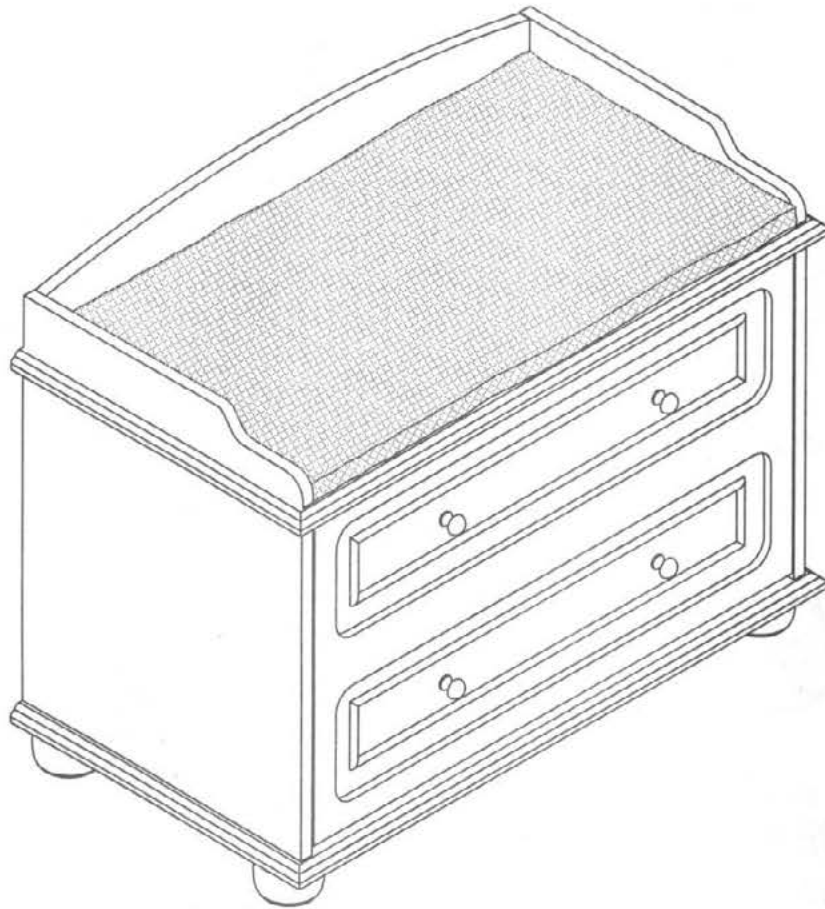


# TOUCH OF CLASS CATALOG

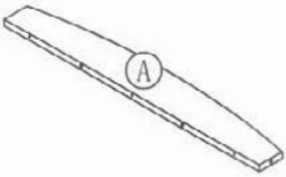
## SHOE STORAGE BENCH

ITEM NO. : WP5704/WP5704C/WP5704K

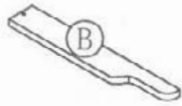
ASSEMBLY INSTRUCTIONS



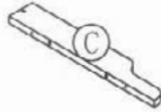
# PART LIST:



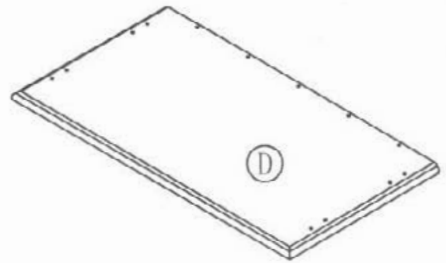
BACK RAIL 1PC



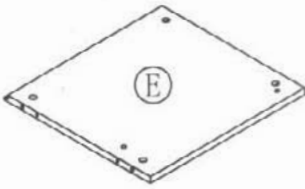
LEFT SIDE RAIL 1PC



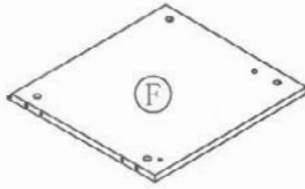
RIGHT SIDE RAIL 1PC



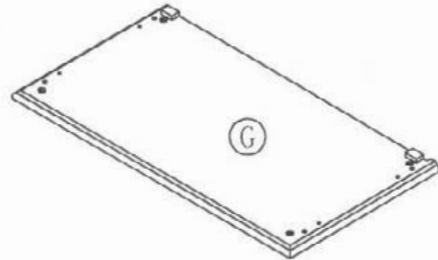
TOP 1PC



LEFT SIDE PANEL 1PC



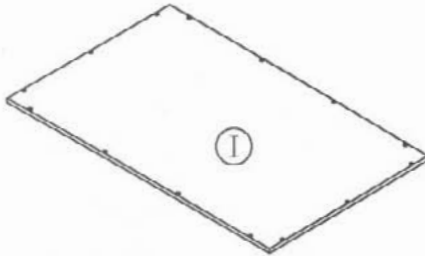
RIGHT SIDE PANEL 1PC



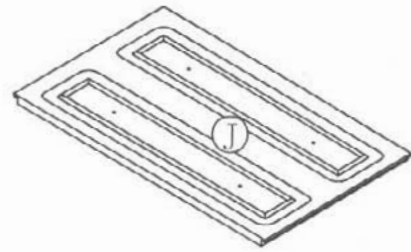
BOTTOM 1PC



FOOT 4PCS



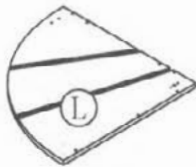
BACK PANEL 1PC



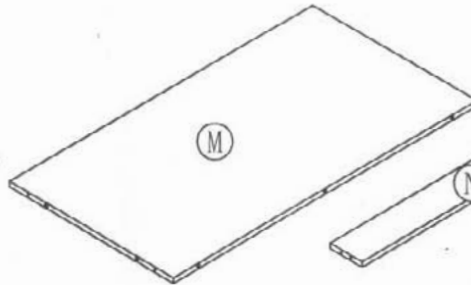
DOOR PANEL 1PC



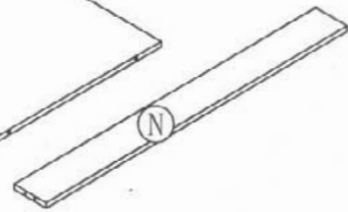
STORAGE RIGHT  
SIDE PANEL 1PC



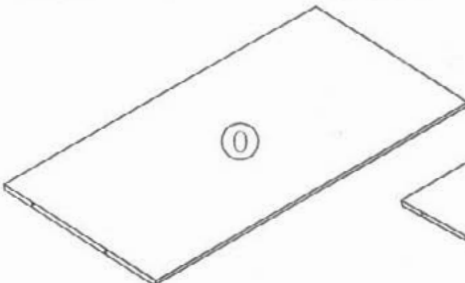
STORAGE LEFT  
SIDE PANEL 1PC



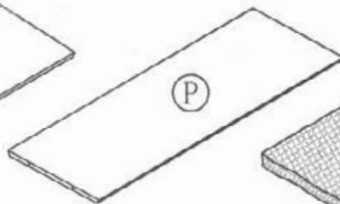
STORAGE BACK 1PC



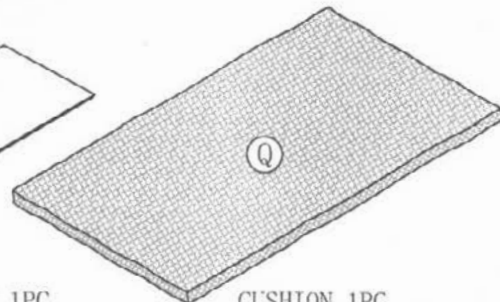
CROSS RAIL 1PC



STORAGE TOP SHELF 1PC



STORAGE BOTTOM SHELF 1PC



CUSHION 1PC

HARDWARE LIST:



a. WOOD DOWEL (8\*30) 16PCS



b. FLAT HEAD  
SCREW (Big) 11PCS



c. CAM LOCK SCREW 8PCS



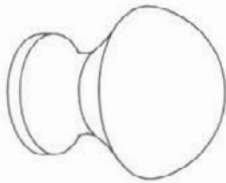
d. CAM LOCK 8PCS



e. SHORT PHILLIPS  
HEAD SCREW 4PCS



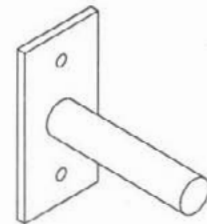
f. FLAT HEAD  
SCREW (Big) 36PCS



g. KNOB 4PCS



h. PLASTIC PLUG 2PCS



i. HINGE 2PCS



j. SMALL SCREW  
(FOR HINGE) 4PCS



k. WOOD DOWEL  
(10\*30) 2PCS



m. WOOD DOWEL  
(5\*30) 7PCS

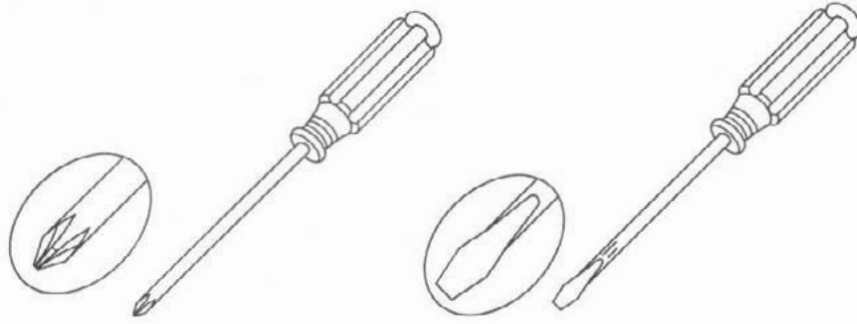


n. GLUE 1PC



o. "L" WRENCH 1PC

## ASSEMBLY TOOLS REQUIRED

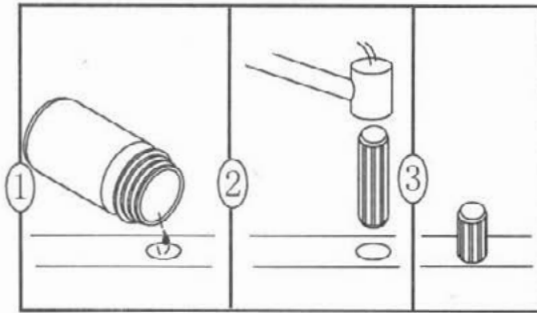


## WOOD DOWEL INSTALLATION PROCEDURE:

(1). FILL HOLE 1/4 FULL OF GLUE.

(2). GENTLY TAP DOWEL INTO HOLE  
WITH RUBBER Mallet.  
DO NOT USE HAMMER.

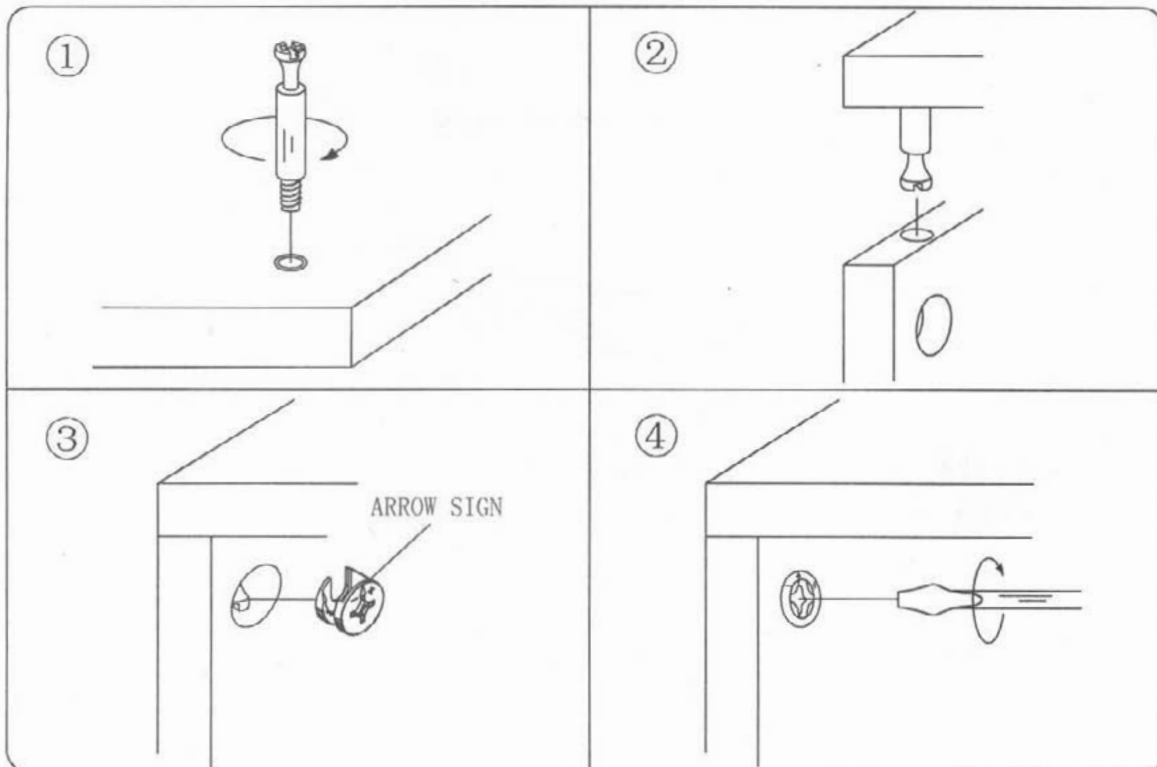
(3). WIPE AWAY EXCESS GLUE.



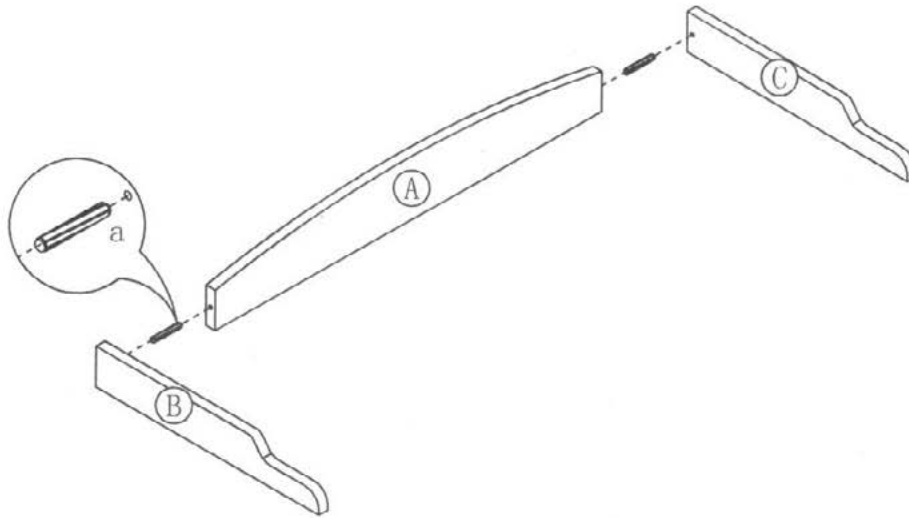
## HIDDEN CONNECTOR

.....

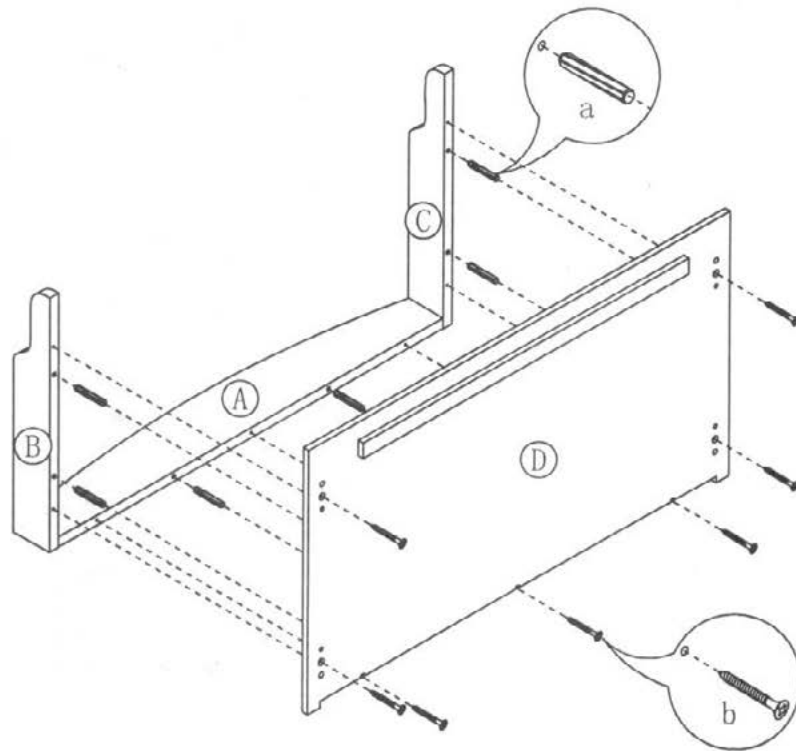
## ASSEMBLY TECHNIQUES



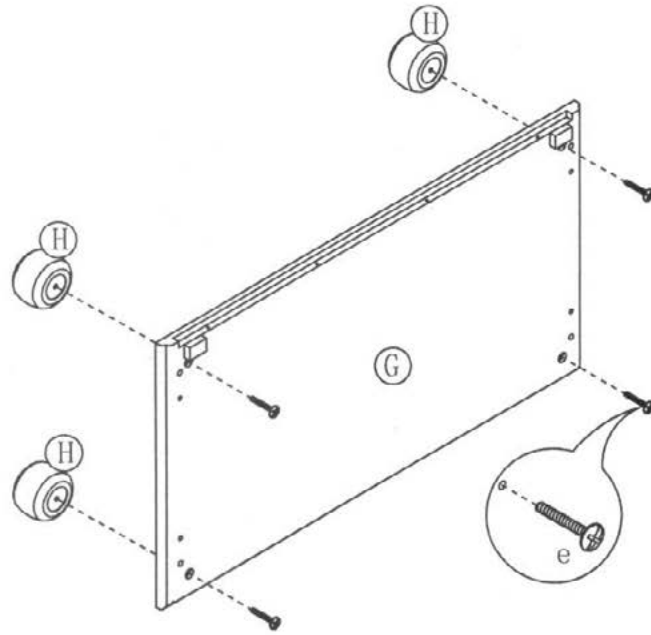
STEP 1



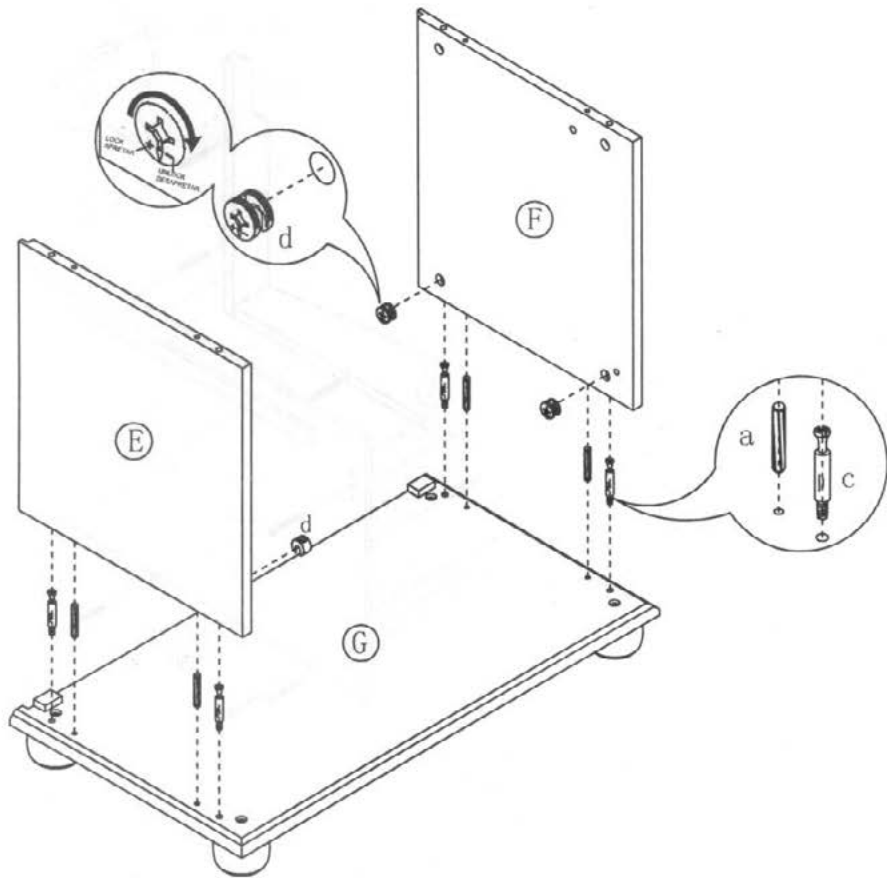
STEP 2



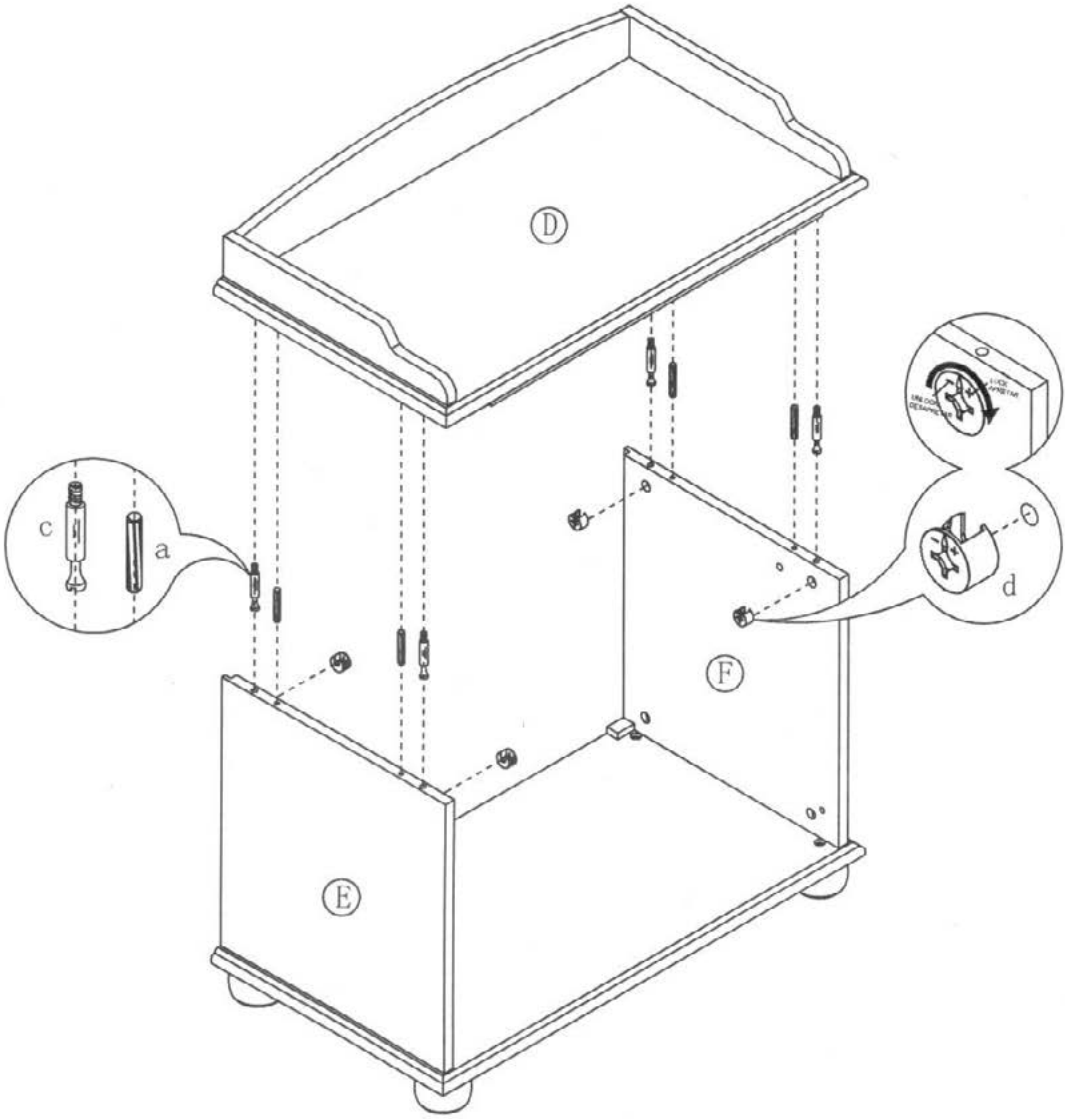
STEP 3



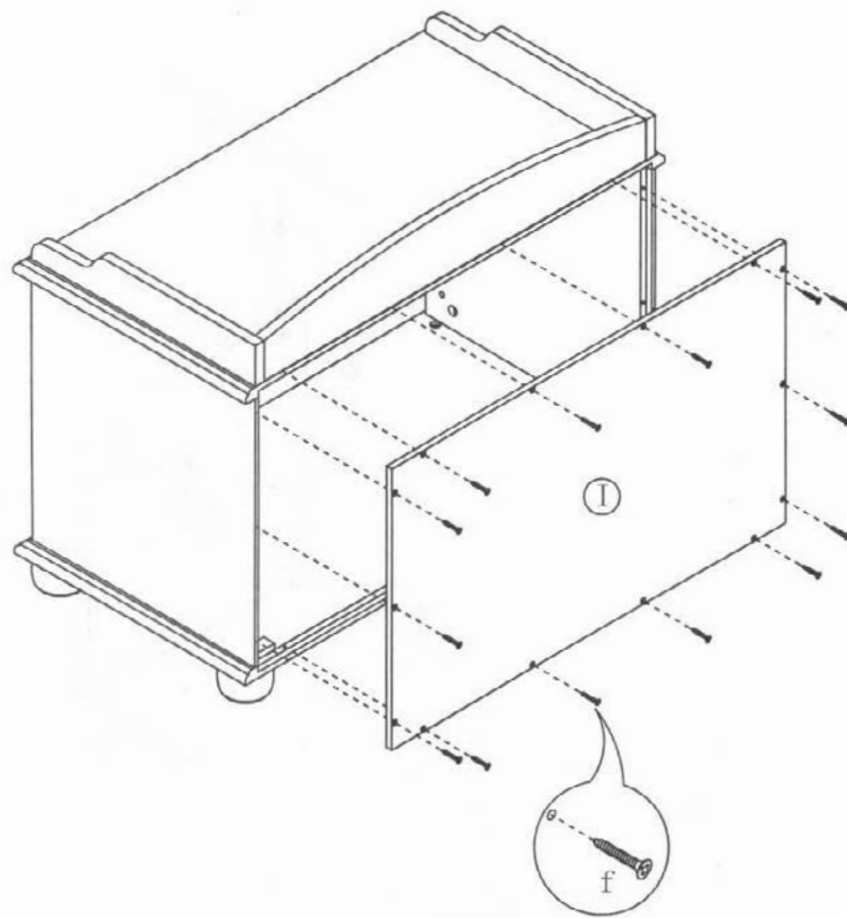
STEP 4



STEP 5

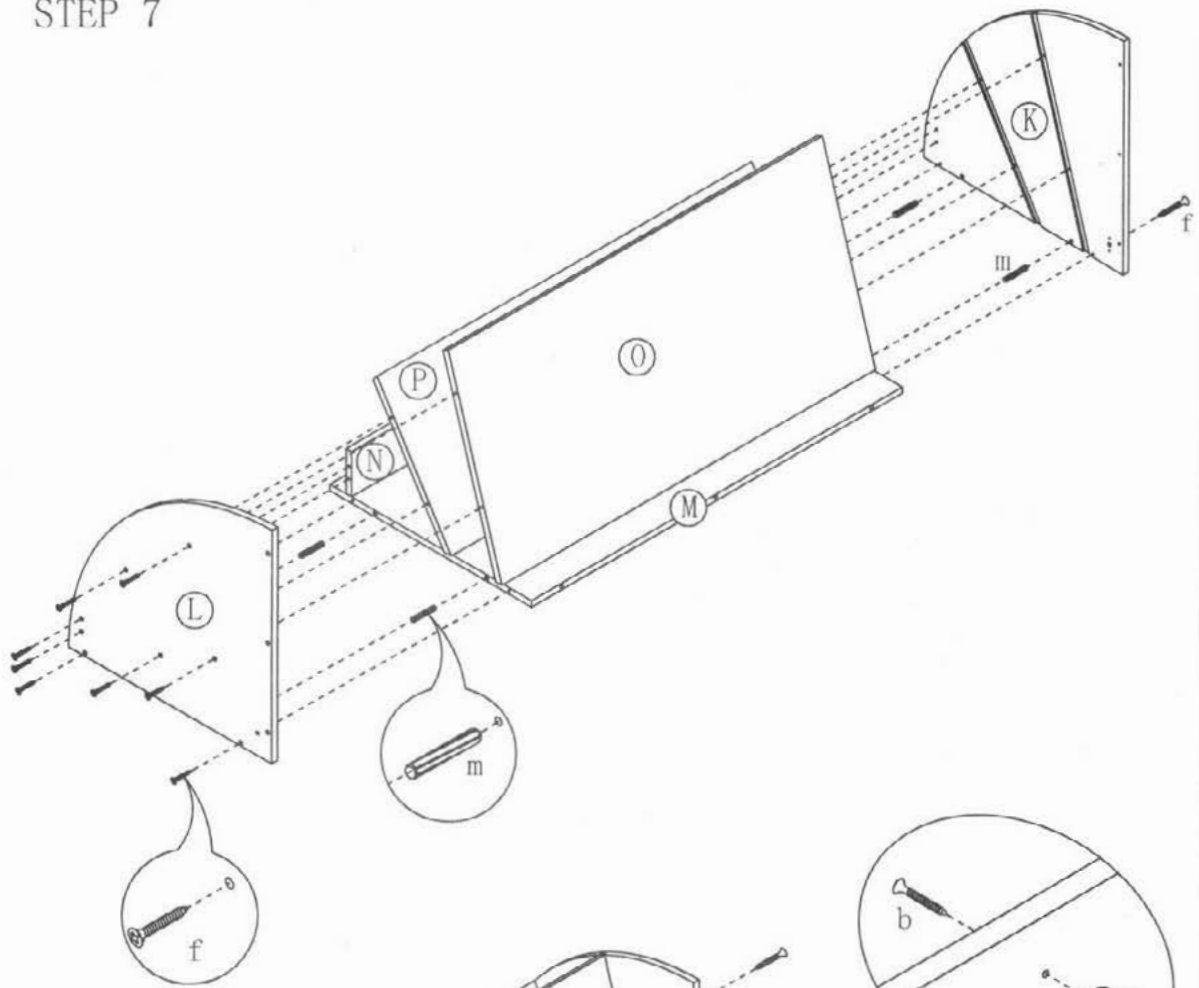


STEP 6

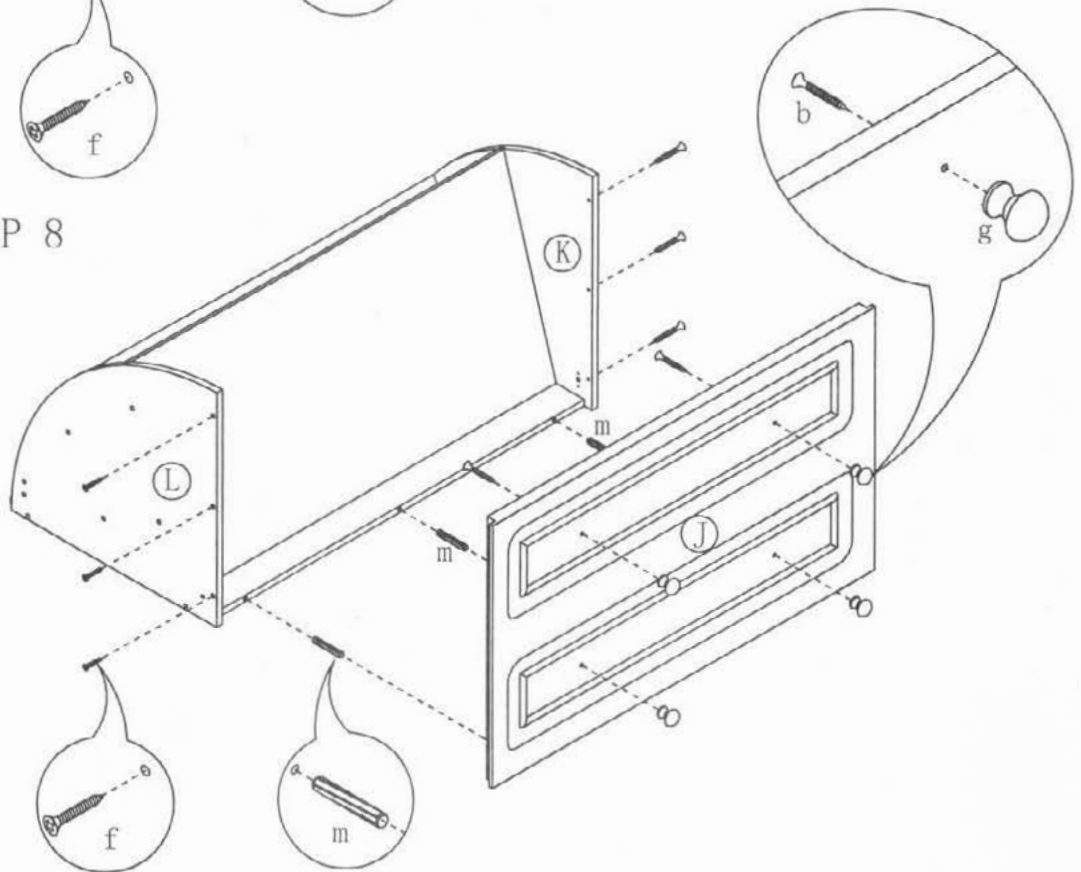




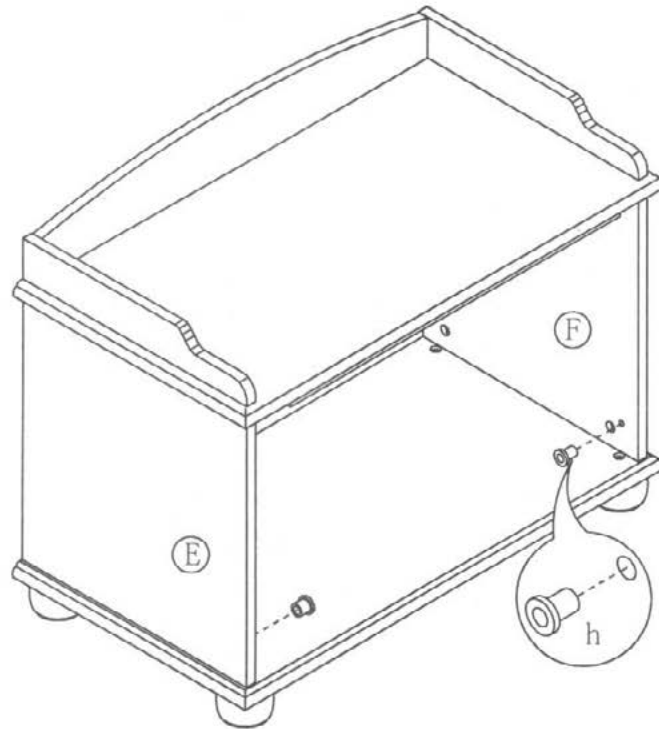
STEP 7



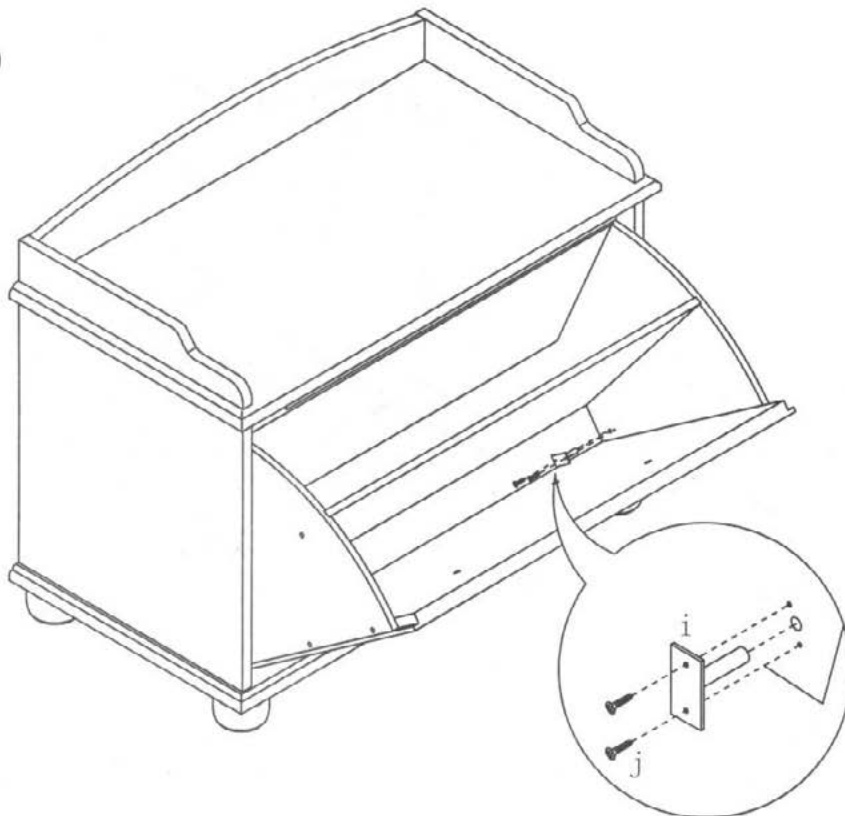
STEP 8



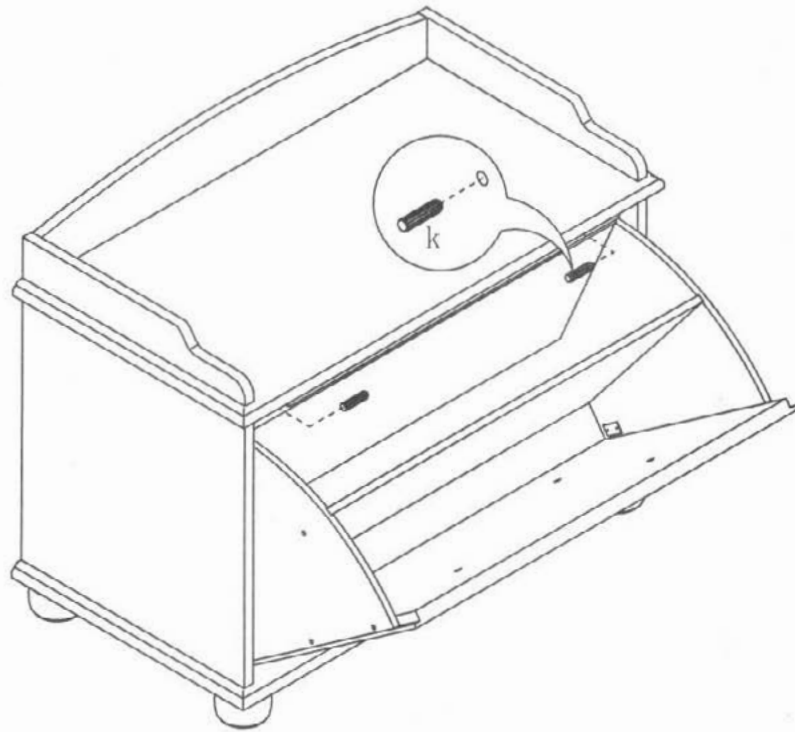
STEP 9



STEP 10



STEP 11



STEP 12

