

# BUTLER

SPECIALTY COMPANY

8200 SOUTH CHICAGO AVE.,CHICAGO,IL60617

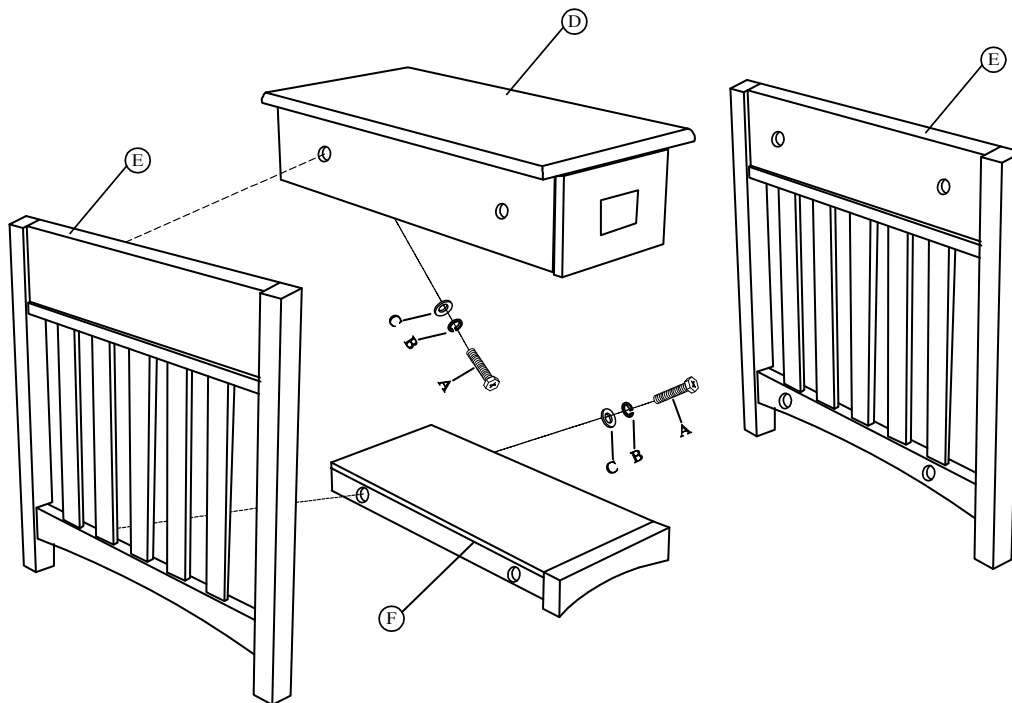
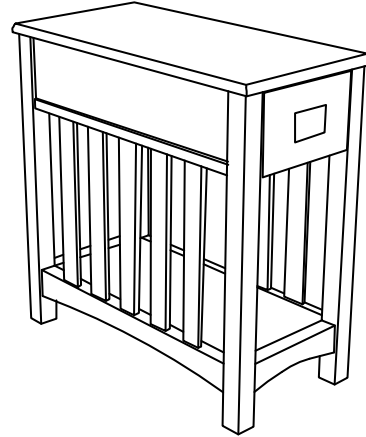
*Assembly Instructions*  
*Style Number 5216*

## PACKAGED

- (A) 8- Bolt                                     $\varnothing$  1/4"\*1-1/2"
- (B) 8-Lock Washer                                     $\varnothing$ 1/4"
- (C) 8-Flat Washer                                     $\varnothing$ 1/4"\*Dia16mm

**Read all instructions before starting assembly.**

- (D) 1-Top
- (E) 2-Side Legs
- (F) 1-Bottom Shelf



### **(\*Caution:DO NOT OVERTIGHTEN**

**In any correspondence regarding this product,please include the complete Butler identification number located on the underside of the product.**

*We hope this Chairside Table will be a useful and decorative addition to your home for years to come.*

Copyright © Butler Specialty Company, 10/20