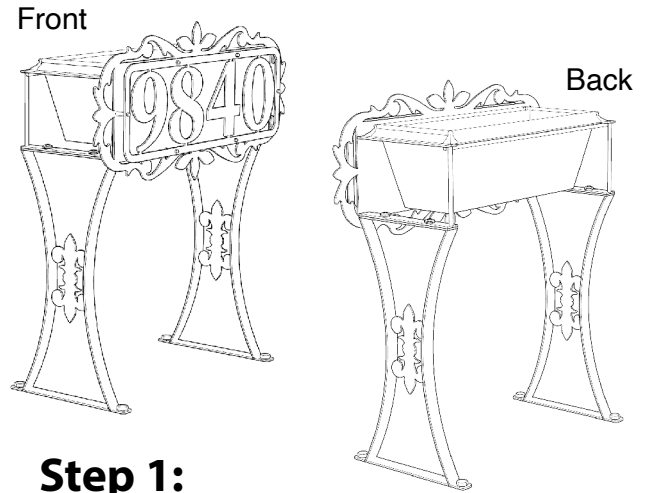
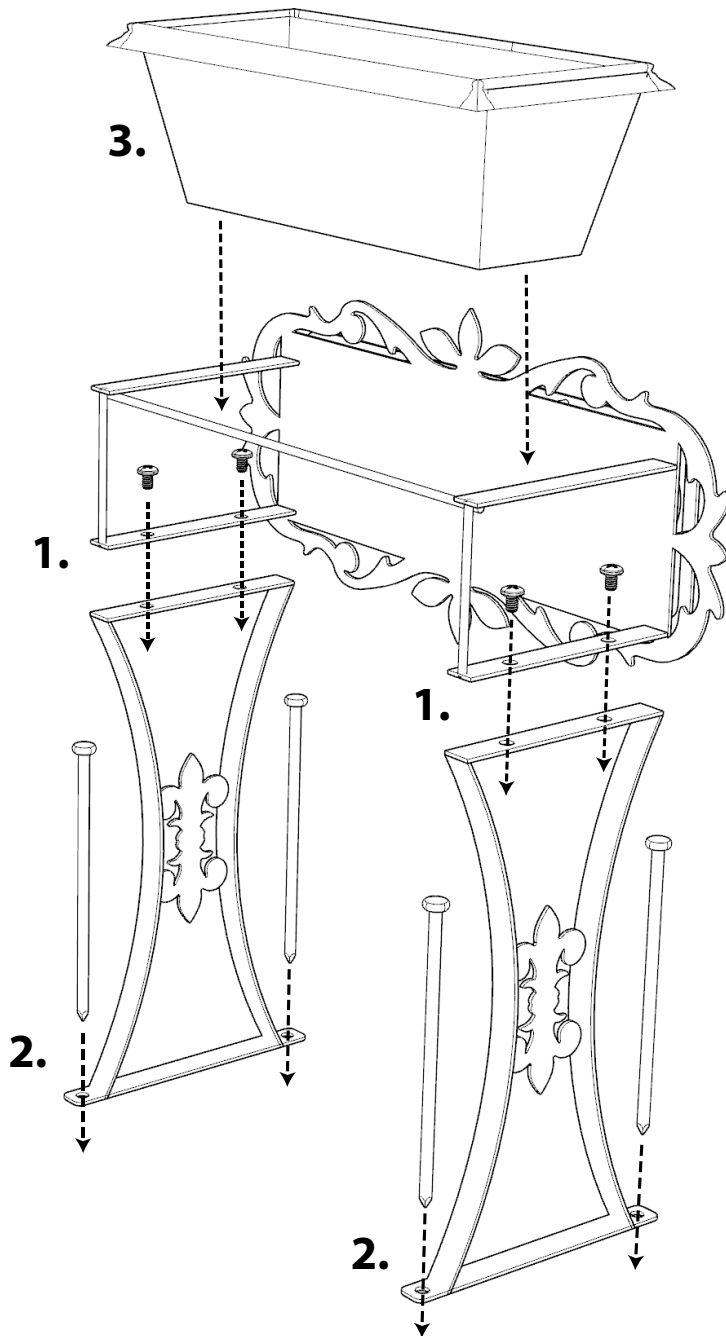


# Thank you for Purchasing the Floret Planter Stand.

We have taken great care to manufacture this personalized planter stand just for you. Please review the assembly instructions below. We hope you enjoy your new Floret Planter Stand.



### Step 1:

Using a screwdriver and the provided screws, attach each leg by lining up the holes in the bottom of the planter box holder with the narrower set of holes in the top of the legs. *(Note: each leg has two sets of holes, the wider set of holes will sit on the ground)*

### Step 2: (If placing in yard)

Place planter stand in desired location making sure the surface is level. Then, using a hammer, carefully drive each stake through the four holes in the base of the legs into the ground until they are flush.

### Step 3:

Set the plastic planter box inside the planter box holder. Fill with potting soil and fresh or artificial flowers. *Also, please note the removable drain plug in the bottom of the planter box.*

Designed By

**Jason**  
Studios®

Exclusively for Touch of Class®

## Made in the USA

TOC20220408