

Assembly Instructions

WARNING

All wires are connected. When unpacking the box, be careful not to pull on the wires, as a bad connection may result. Do not connect electricity until the lamp is fully assembled. Unpack and place all parts on a flat surface or the floor.

ASSEMBLY INSTRUCTIONS:

Unpack and place the lamp parts on a flat surface.

Screw Threaded Rod into the top of the Socket assembly.

Put the Washer onto the Threaded Rod.

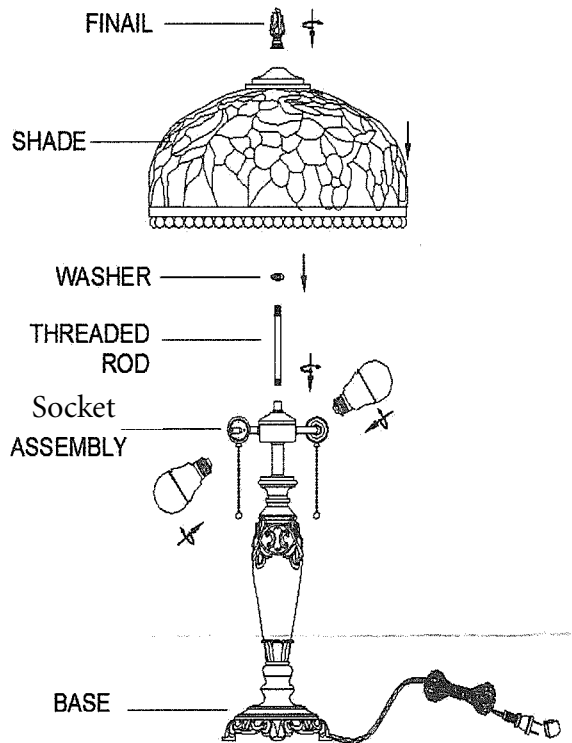
Place the Shade over the end of the Threaded Rod and screw the Finial securing the shade in place.

Insert bulbs into the bulb socket.

Requires two(2) 60W max. bulbs, not included.

Important Safety Instructions:

This portable lamp has a polarized plug (one blade is wider than the other) as a safety feature to reduce the risk of electric shock. This plug will fit in a polarized outlet only one way. If it does not fit fully in the outlet, reverse the plug. If it still does not fit, contact a qualified electrician. Never use with an extension cord unless the plug can be fully inserted.



Made in China

TOC20180323