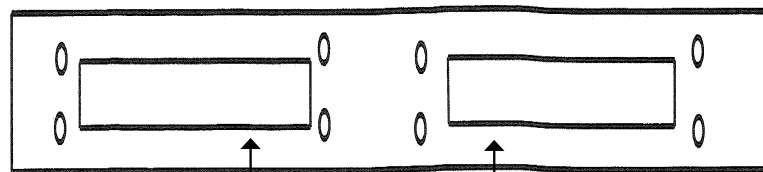


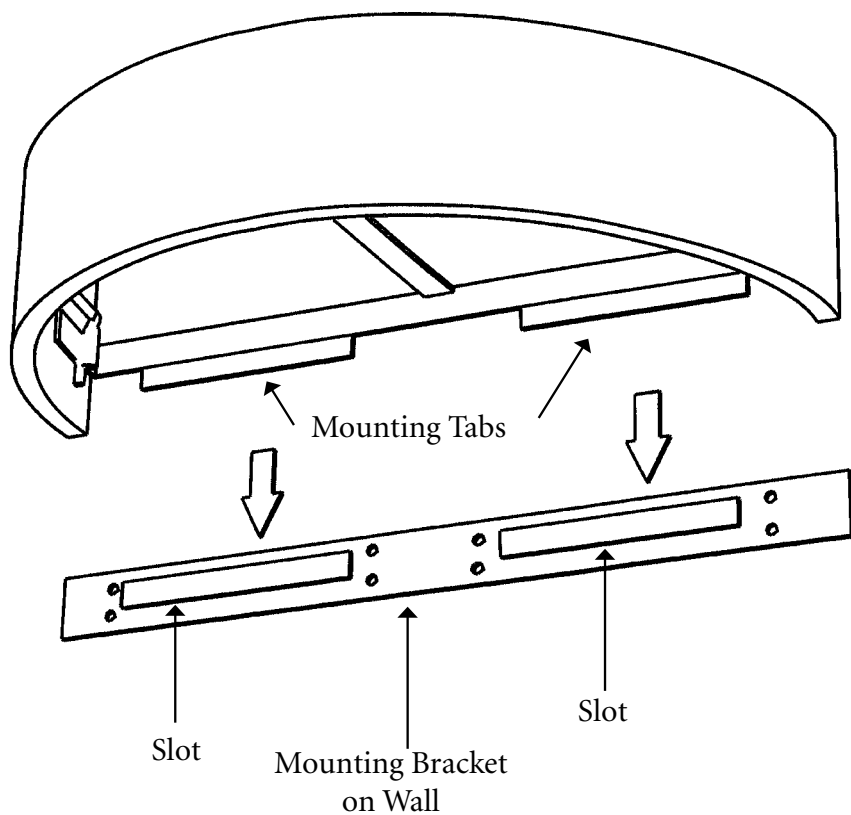
How to Mount Your Teester To The Wall

1. Center the mounting bracket where you want it to hang on the wall.
2. Level the bracket.
3. Carefully mark the level screw locations with a pencil.
4. Secure a screw into each of the marked locations.
5. After hanging your panel(s), *see directions on the bottom page*, take the entire teester and slide the mounting tabs into the slots on the mounting bracket.



Slots
Mounting Bracket

Front of Teester



How to Hang Your Panel(s) In Your Wall Teester

1. Take the removable bar and insert it into the rod pocket of your panel(s).
2. Push first panel all the way over the side and repeat with the second panel.
3. Place the curtains behind the teester.
4. Insert the removable bar back into the teester. Make sure the rod sits atop the support after the fabric is installed and the rod is secured into side support brackets.
5. After hanging your teester onto the wall, *see directions on the first page*, fluff and adjust your panel(s) as needed.

