

# Console/Extension Dining Table Assembly Instructions

2 people recommended

*Just follow these easy assembly instructions!*

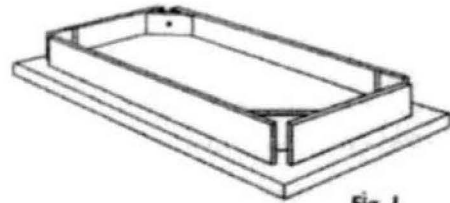


Fig. 1

**1 BEFORE YOU BEGIN ASSEMBLY...**

Select an open space, preferably on carpet. Use a blanket on floor if assembling on wood or hard surface. Make sure surface is clean to avoid scratching the surface of the furniture.

**2 CHECK HARDWARE...**

You should have four legs with bolts inserted and a wrench to complete assembly, four washers and four nuts. (Hardware should be noted by red tag string.)

**3 PLACE TABLE ON CLEAN SURFACE...**

with the bottom facing up. (Fig. 1)

**4 UNPACK TABLE LEGS...**

Insert the bolt on the leg through the table corner bracket. Tighten using wrench, washer and nut. Do not over tighten as you may split the wood. (Fig. 2)

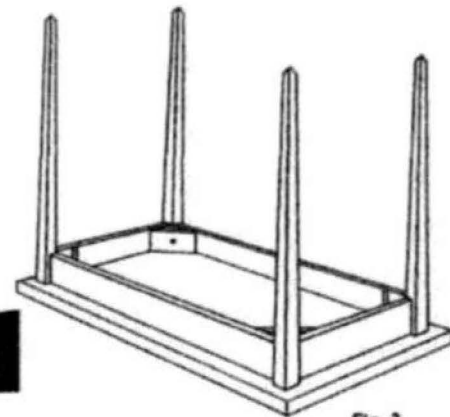


Fig. 2




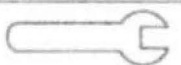
**5 CAREFULLY...**

return table to upright position after affixing all four legs. (Fig. 3)

**NOTE:** Please follow directions on other page for operating your table.



Fig. 3

PARTS NEEDED FOR ASSEMBLY		
Table legs		4
Nut		4
Washer		4
Wrench		1

# STAKMORE®

The folding furniture with the permanent look.®

# Console/Extension Dining Table Set-up Instructions

## Three tables in one:

- 40" X 20" Console Table
- 40" X 40" Dinette/Game Table
- 40" X 72" Extension Dining Table

*Operating your table is as easy as 1-2-3!*

### 1 THE CONSOLE (40" X 20")

Place your Console Table with the hinges facing the wall. You now have an attractive Console Table, server in a dining area, or — even a writing desk. (Fig. 1)

### 2 THE DINETTE/GAME TABLE (40" X 40")

To Use Your Table as a Dinette or Game Table:

- 1) Move your table away from the wall. Facing the back of the table, lift the back section slightly off the floor and pull the apron and leg section towards you until the slides fully extend. (Fig. 2)

**NOTE:** TABLE OPENS AND CLOSES EASIER WITH 2 PEOPLE

- 2) Lift the "flip top" up and over, and gently place the top on the rear apron and leg section. (Fig. 3)

### 3 THE EXTENSION DINING TABLE (40" X 72")

Repeat the steps mentioned in Step 2. Then, facing the front of the table, pull the front leg and apron section towards you until fully extended. You will see a fifth leg tucked in the middle. Pull the bottom of the hidden leg towards you until you can rotate it to a vertical position. (This leg is to provide added stability when using as a full dining table.) Insert the number of leaves needed for your entertaining and push the front section back until the pins and holes in the table half and leaves meet. (Fig. 4)

TO RETURN YOUR TABLE TO ITS 40" X 20" CONSOLE SIZE REPEAT THE STEPS IN REVERSE ORDER

**NOTE:** This table is not designed to be left in the full extended dining position on a permanent basis or for an extended period of time (weeks).

# STAKMORE®

The folding furniture with the permanent look.®



Fig. 1

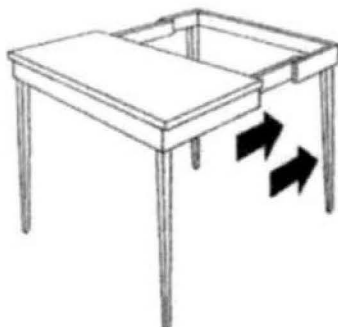


Fig. 2

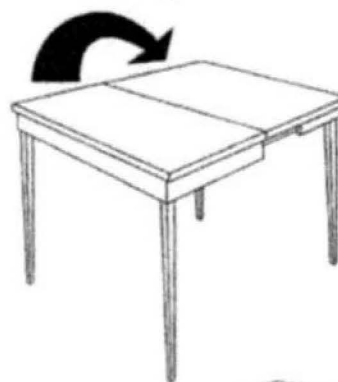


Fig. 3

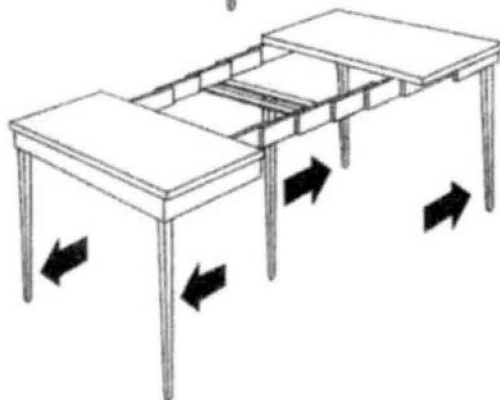
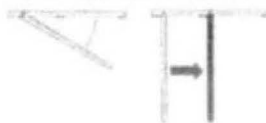


Fig. 4

#### NEW! Hidden Center Leg Device

Center leg swings down and slides along slot until it falls in place from horizontal to vertical position.



Flat, upside down view illustrates the new hidden center leg device.