




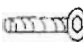
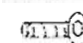




A		φ 7.5*40mm	10pcs
B		φ 15*12mm	10pcs
C		φ 8*35mm	12pcs
D		φ 1/4"*19mm	8pcs
E		φ 1/4"	8pcs
F		φ 1/4"*2"	4pcs
G		φ 1/4"*1-1/2"	4pcs
H		4mm	1pcs
I		5#*1/2"	4pcs

## Bed Steps Assembly Instructions

**Step 1)** Turn the base upside down on a clean surface. Attach legs using the (G) 1 1/2" long bolts for the back legs and (H) 2" bolts for the front legs. Each also gets (D & E) washers as shown.

**See illustration attached for Cam Lock Assembly Detail used in following steps.**

**Step 2)** Screw the cam screws (A) into the threaded insert nuts on side panels. Place the wooden dowels (C) into the other holes. (To make sturdier, place a little wood glue into the holes before inserting dowels.)

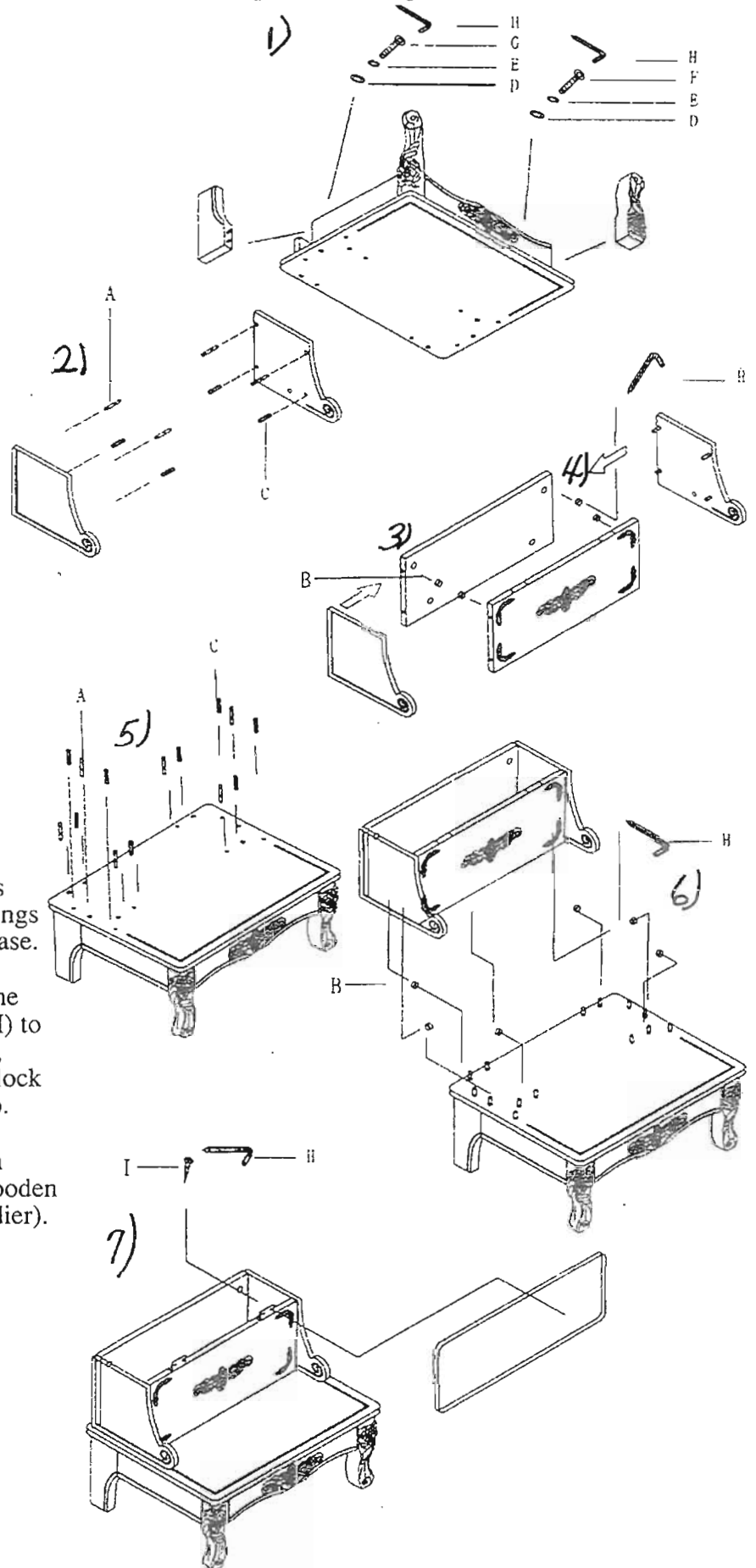
**Step 3)** Place the cam locks (A) into the holes in the back and front panels making sure the openings are turned toward the open hole either out side or bottom. Also place cam locks (A) into side panels and make sure those openings face bottom holeS so they can be attached to base.

**Step 4)** Put the side panels in place then turn the cam locks clockwise using the allen wrench (H) to lock into place. If cam screws do not go easily, into cam locks check that opening on the cam lock is facing the hole the cam screw is coming into.

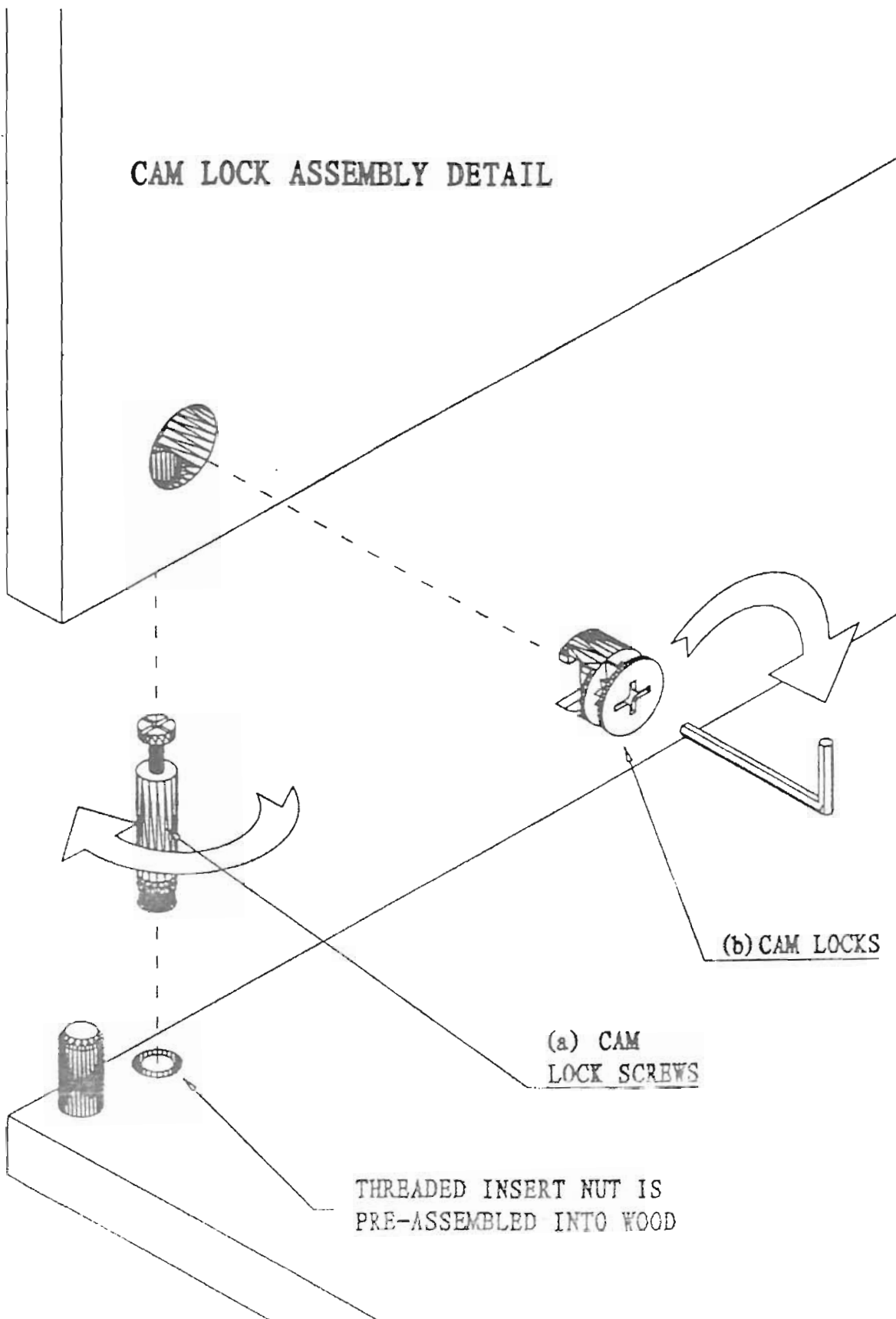
**Step 5)** Turn the base right side up. Screw cam screws (A) into the threaded insert nuts and wooden dowels (C) into the others. (Glue to make sturdier).

**Step 6)** Position assembled top over cam screws & wooden dowels inserted into top of base. Turn cam locks to lock the cam screws.

**Step 7)** Attach lid to hinges using 1/2" wood screws (I). Holes in lid panel are very tiny and are there only as a guide for positioning.



# CAM LOCK ASSEMBLY DETAIL



(b) CAM LOCKS

(a) CAM  
LOCK SCREWS

THREADED INSERT NUT IS  
PRE-ASSEMBLED INTO WOOD