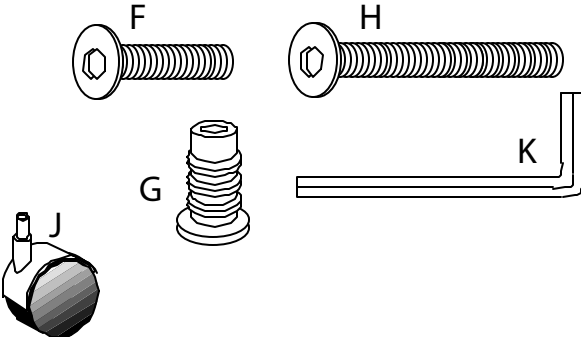
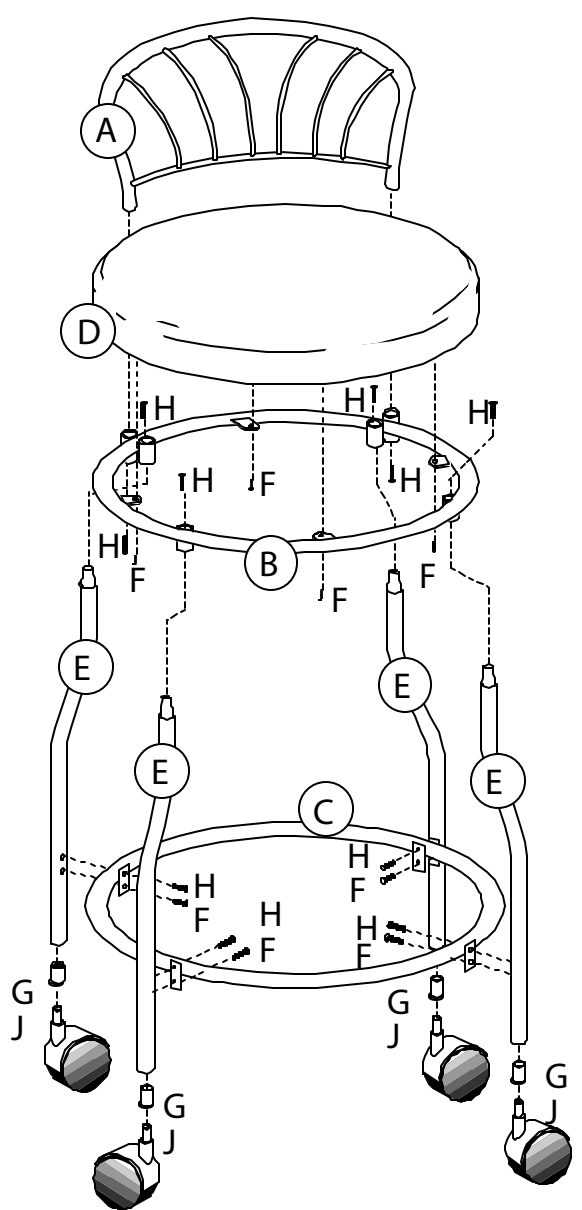


Fan Half-Back Vanity Chair
 Model #50095 - Chrome Plated
 Model #50098 - Brass Plated

Examine all packaging material for small parts that may have come loose during shipment. Periodical checks are recommended to insure that all components are in proper position, tight and free from damage. Keep this assembly instruction for future reference.

PARTS LIST A (1) Back Panel B (1) Seat Frame C (1) Support Ring D (1) Seat Cushion E (4) Legs	HARDWARE LIST F (10) Long Allen Bolts G (4) Plastic Sleeves H (4) Short Allen Bolts J (4) Castors K (1) Allen Wrench	
---------------------------------------------------------------------------------------------------------------------	--------------------------------------------------------------------------------------------------------------------------------------------	-------------------------------------------------------------------------------------



STEP 1
 Fasten each of the 4 Legs (E) to the Seat Frame (B) using 1 Long Allen Bolt (H) per Leg (E).

STEP 2
 Secure the Support Ring (C) to each Leg (E) using 1 Long Allen Bolt (H) and 1 Short Allen Bolt (F) per leg. Tighten all bolts from step 1 and 2.

STEP 3
 Insert 1 Plastic Sleeve (G) into the bottom of each Leg (E). Next, insert 1 Castor (J) into each Plastic Sleeve for a total of 4 times.

STEP 4
 Fasten Back Panel (A) to Seat Frame (B) using 1 Long Allen Bolt (H) per side of panel.

STEP 5
 Secure the Seat Cushion (D) to the Seat Frame (B) using 4 Short Allen Bolts (F). Tighten all screws.

CARE & MAINTENANCE: The touch of a soft cloth is all the maintenance the finish of your new stool will ever need. Never use harsh or abrasive cleaners for polishing. Periodic checks are recommended to make sure that all bolts, screws and nuts are securely tightened.