

# Installation Instructions for Lion Head Brackets

## 3-Part Hanger

Slide one end of the 3.5" L extender into the center slot of the oval wall bracket. Slide the other end into the back bracket on the lion head.

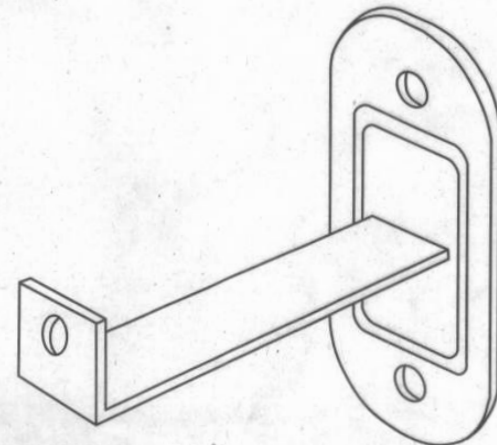
Position lion head on wall at desired location.  
Mark the top of the oval wall bracket.

Detach the lion head from the bracket extender.  
Attach the oval wall bracket (with the extender in place) to the wall using your own mounting hardware made for the type of wall you are mounting this to.

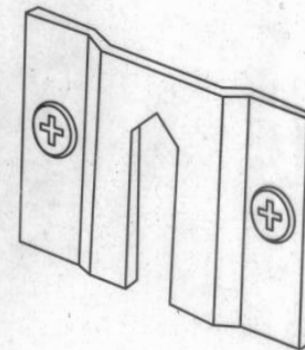
After installing the wall bracket, reattach the lion head rod holder to ensure proper seating.



Oval Wall Bracket



Oval Wall Bracket with Extender



Back Bracket on Lion Head

TOC20120713