



BAYBERRY SWIVEL STOOLS

Model #4783/4766-826 Swivel Counter Stools
Model #4783/4766-830 Swivel Bar Stools

GLENMARY SWIVEL STOOLS

Model #4784/4786-826 Swivel Counter Stools
Model #4784/4786-830 Swivel Bar Stools

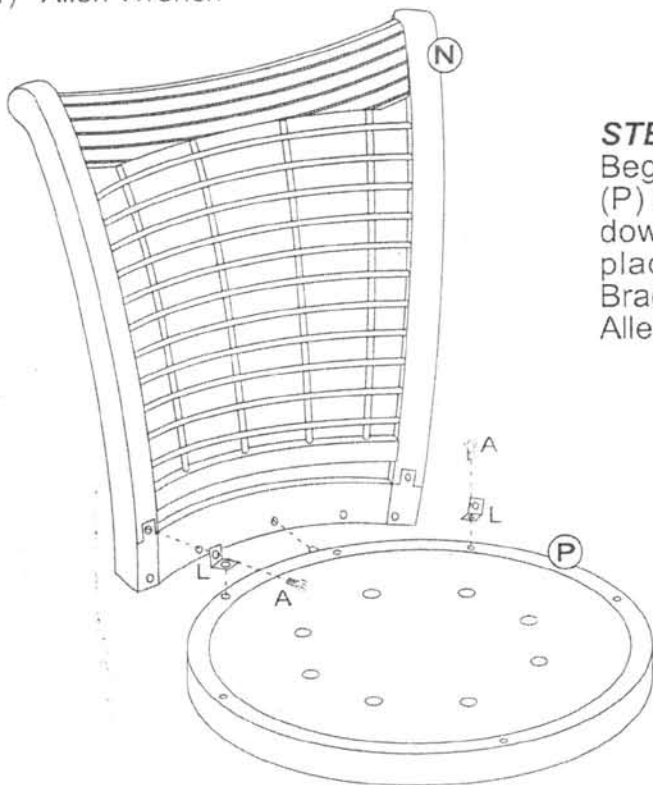
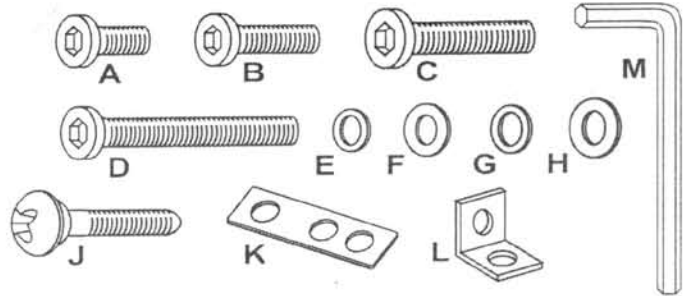
Examine all packaging material for small parts that may have come loose during shipment. Periodic checks are recommended to insure that all components are in proper position, tight and free from damage. Keep this assembly instruction for future reference. Adult assembly is required. Online Parts Request: parts.request@hillsdalefurniture.com - Customer Service Phone Number: 502-562-0000

HARDWARE LIST

- A (10) Allen Bolts 1/4" x 1/2"
- B (4) Allen Bolts 1/4" x 1"
- C (4) Allen Bolts 5/16" x 1-5/8"
- D (4) Allen Bolts 1/4" x 2-3/8"
- E (8) Spring Washers 1/4"
- F (8) Flat Washers 1/4"
- G (4) Spring Washers 5/16"
- H (4) Flat Washers 5/16"
- J (4) Wood Screws
- K (2) Flat Metal Plates
- L (2) "L" Brackets
- M (1) Allen Wrench

PARTS LIST

- N (1) Stool Back
- P (1) Seat Base
- Q (1) Seat Cushion
- R (2) Leg Panels
- S (1) Support Ring



STEP 1

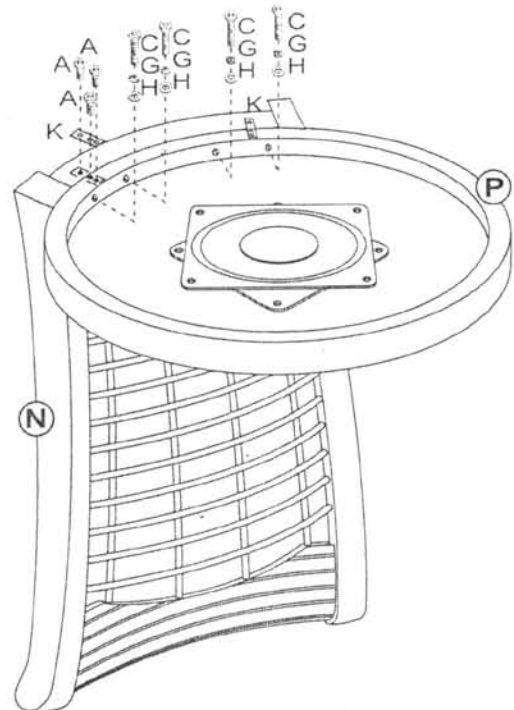
Begin the assembly by attaching the Seat Base (P) to the Stool Back (N) by aligning the wood dowel with the middle open hole and secure in place. Once in place, secure using the "L" Brackets (L) on each arm side and fasten with 2 Allen Bolts (A) per each Bracket. Tighten all bolts.

STEP 2

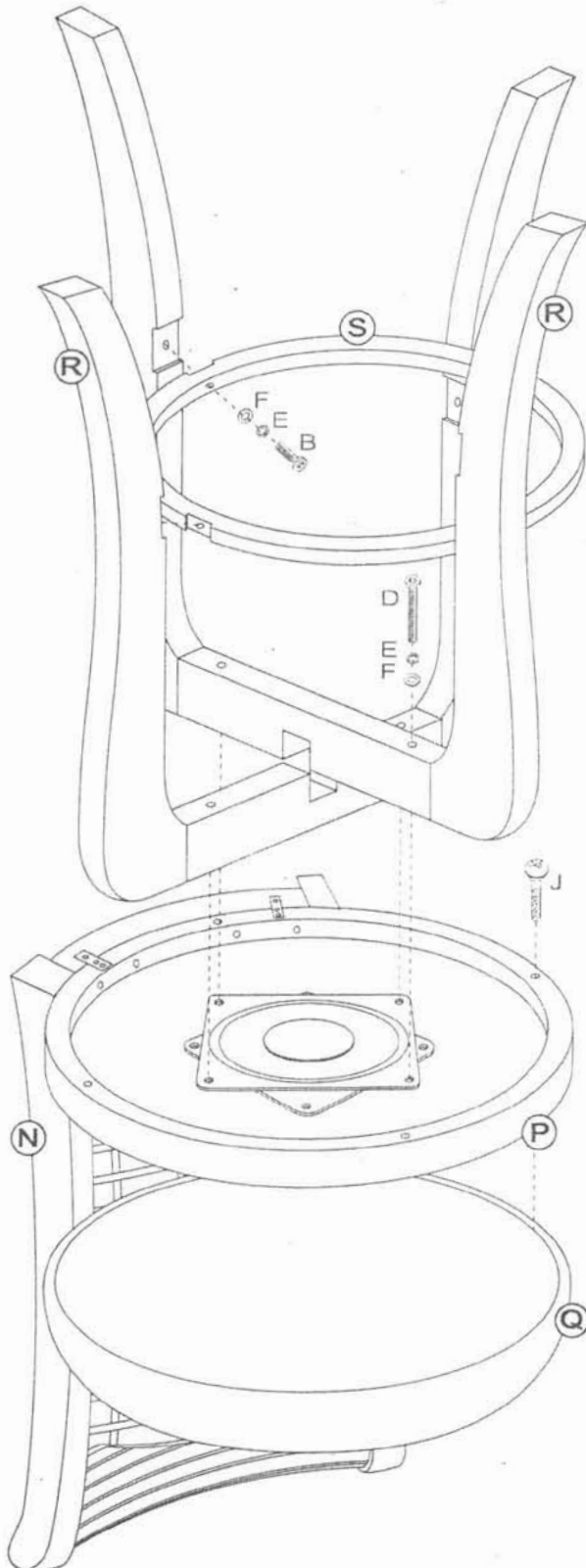
Next, from the bottom side put each Flat Metal Plate (K) in place for support and secure each using 3 Allen Bolts (A) per each Plate. Do not fully tighten bolts.

STEP 3

Finish securing the Stool Back (N) to the Seat Base (P) by inserting 4 Allen Bolts (C), 4 Spring Washers (G) & 4 Flat Washers (H) into the inner open holes of the Seat Base. Tighten all bolts using the Allen Wrench (M) that has been provided. See next page for more assembly instructions.



The drawing above is a generic drawing of the original item you purchased. All assembly remains the same.



STEP 4

Next, attach each Leg Panel (R) together by crossing each middle panel and secure together. While assembling, insert the Support Ring (S) between all 4 legs of the Leg Panels and fit into open grooves. Secure the Support Ring in place using 4 Allen Bolts (B), 4 Spring Washers (E) & 4 Flat Washers (F). Tighten all bolts using the Allen Wrench (M).

STEP 5

Attach both sets of Leg Panels (R) to the metal swivel plate located on the bottom side of the Seat Base (P) using 4 Allen Bolts (D), 4 Spring Washers (E) & 4 Flat Washers (F) to secure in place. Tighten all bolts using the Allen Wrench (M).

STEP 6

Finally, secure the Seat Cushion (Q) to the top of the Seat Base (P) using 4 Wood Screws (J) from the bottom side to hold in place. Only tighten screws using a phillips head screwdriver (not included). The use of power tools are not recommended as they may cause damage to the parts and/or hardware. The assembly of your new stool is now complete.

The drawing above is a generic drawing of the original item you purchased. All assembly remains the same.