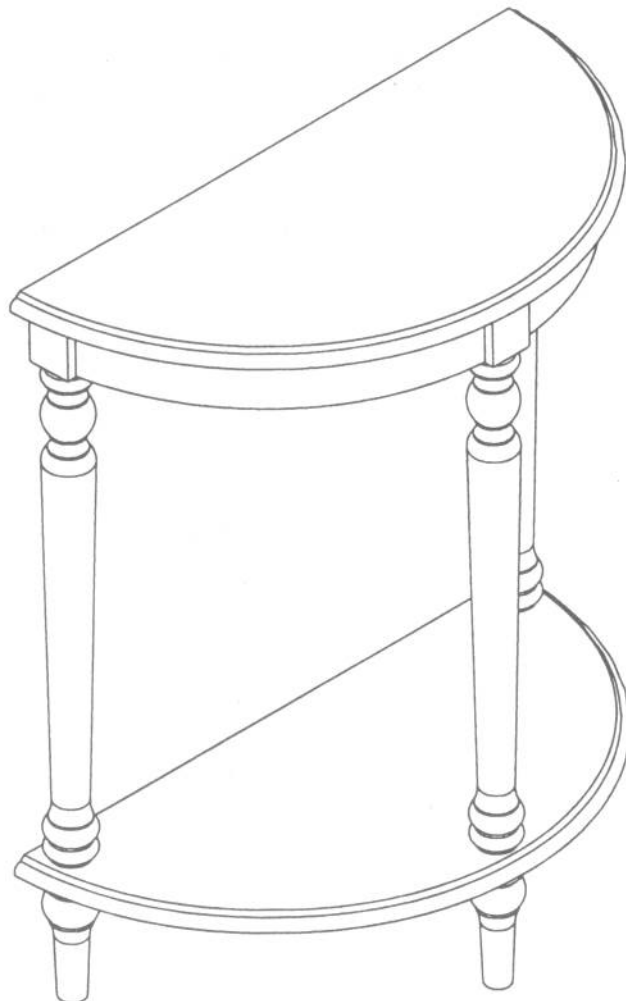

TOUCH OF CLASS CATALOG

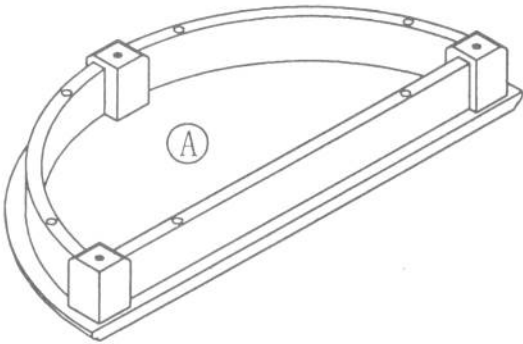
FOYER TABLE

ITEM NO. : 3104/3104B/3104C/3104K

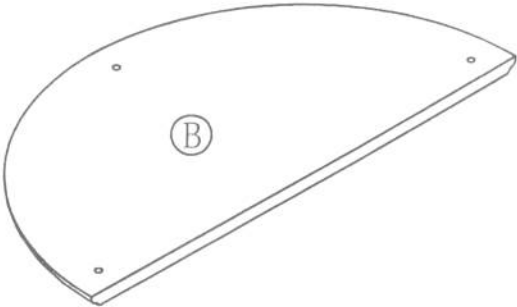
ASSEMBLY INSTRUCTIONS



PARTS LIST:



TOP PANEL 1PC



BOTTOM PANEL 1PC

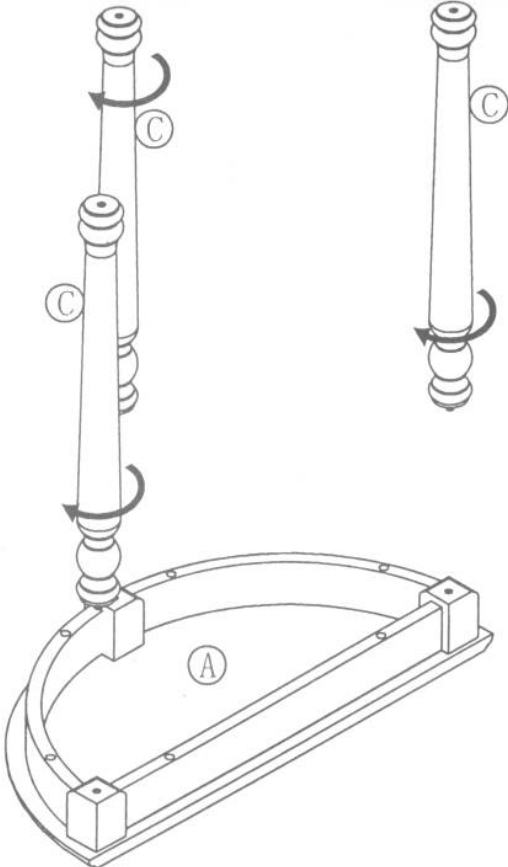


POSTS 3PCS



FEET 3PCS

STEP 1



STEP 2

