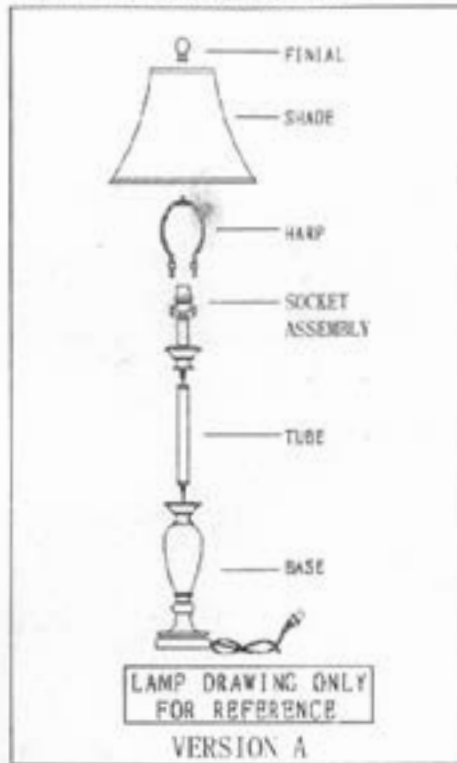


## ASSEMBLY INSTRUCTIONS

Select an assembly instruction suit for the lamp you bought from below versions.

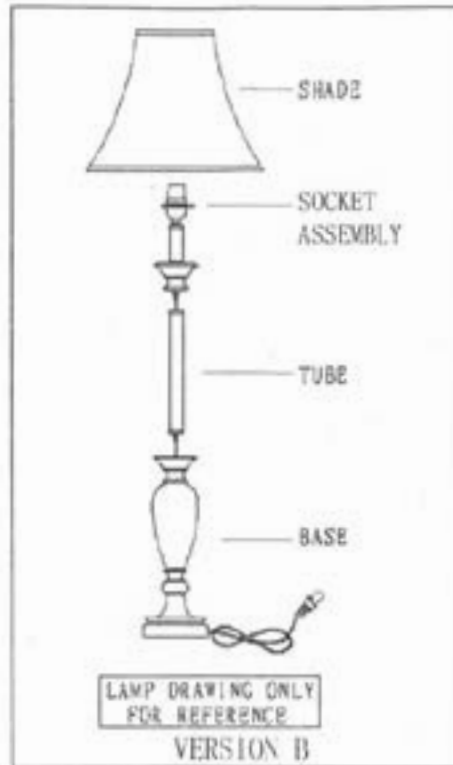
### Version A.

1. PLACE BASE ON A FLAT SURFACE.
2. FASTEN THE TUBE ONTO BASE.
3. FASTEN THE SOCKET ASSEMBLY ONTO TUBE.  
BE CAREFUL NOT TO TWIST POWER CORD.
4. PUT HARP ONTO SADDLE.
5. PLACE SHADE ONTO THE HARP, THEN  
SCREW WITH FINIAL TIGHTLY.



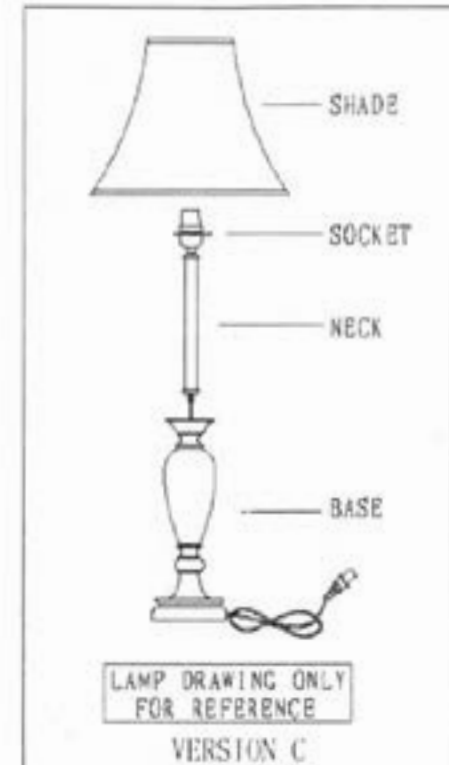
### Version B.

1. PLACE BASE ON A FLAT SURFACE.
2. FASTEN THE TUBE ONTO BASE.
3. FASTEN THE SOCKET ASSEMBLY ONTO TUBE.  
BE CAREFUL NOT TO TWIST POWER CORD.
4. PLACE SHADE ONTO SOCKET.



### Version C.

1. PLACE BASE ON A FLAT SURFACE.
2. FASTEN NECK ONTO THE BASE  
BE CAREFUL NOT TO TWIST POWER CORD.
3. PLACE SHADE ONTO THE SOCKET.



### IMPORTANT SAFETY INSTRUCTIONS

THIS PORTABLE LAMP HAS A POLARIZED PLUG (ONE BLADE IS WIDER THAN THE OTHER) AS A FEATURE TO REDUCE THE RISK OF ELECTRIC SHOCK. THIS PLUG WILL FIT IN A POLARIZED OUTLET ONLY ONE WAY. IF THE PLUG DOES NOT FIT FULLY INTO THE OUTLET, REVERSE THE PLUG. IF IT STILL DOES NOT FIT, CONTACT A QUALIFIED ELECTRICIAN. NEVER USE WITH AN EXTENSION CORD UNLESS PLUG CAN BE FULLY INSERTED. DO NOT ALTER THE PLUG.