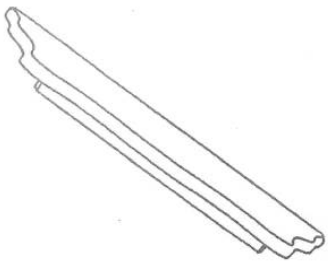
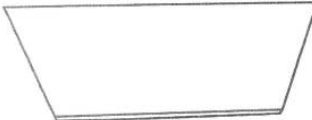
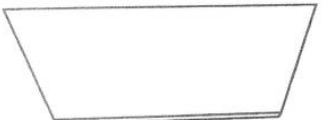
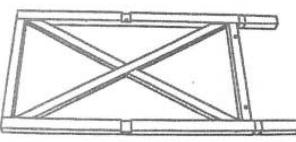
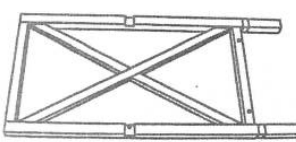



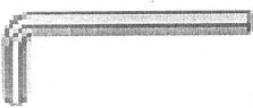


# ASSEMBLY INSTRUCTIONS

	PARTS	QTY	Step By Step Assembly Instructions
A		1PC	<p>step1:</p>
B		1PC	
C		1PC	
D		1PC	<p>step2:</p>
E		1PC	
1	 4.5CM	10PCS	<p>Finish:</p> 
2		10PCS	
3		1PC	

TOC20120702