

Instruction Manual

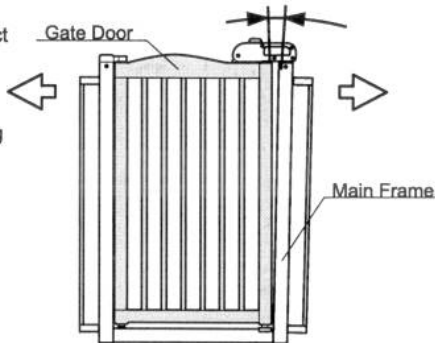
Thank you for choosing Richell's One-Touch Pet Gate.
Please read this instruction manual carefully before assembling or using this product,
and keep for future reference.

Features

- Designed for small to medium dogs (approximate weights: 8.8 - 44 lbs.)
- Fits doorway or hallway openings from 28.3" to 35.8" wide.
- Latched gate handle for extra security. Gate door opens to allow ease of movement without having to remove gate.
- Easy to transport or store.

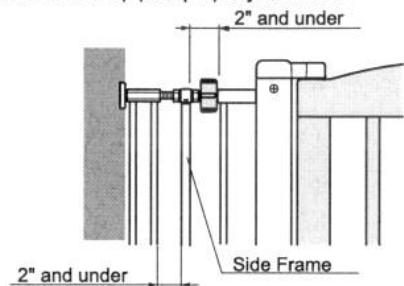
- Designed for placing against the wall or within door fixtures using a tension spring effect

The top width of frame is wider than the bottom since the product is designed to place against the wall using a tension spring effect. Tighten the top Adjuster Knob to create the same spacing between the Gate Door and the Main Frame.



- Side or Option Frames can be adjusted to keep pet confined

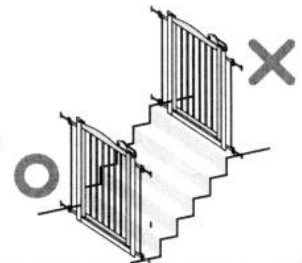
Adjusts the clearance using Side or Option Frames to keep pets properly confined.



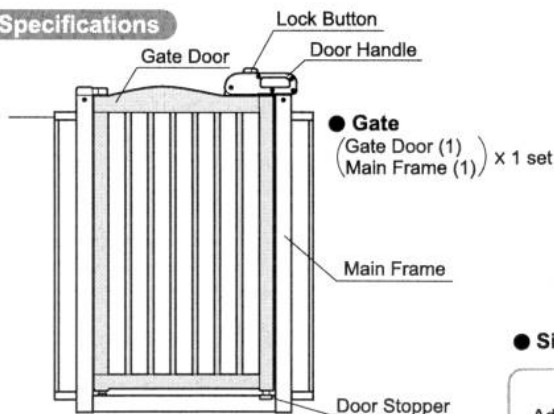
Cautions!

Do not place the product at the top of a staircase or near a glass door.

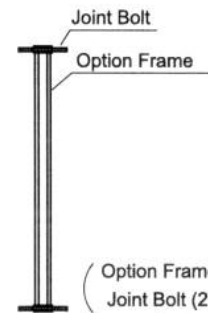
- Take extreme care not to stumble when stepping over the bottom of frame.
- Lock the Gate Door to keep pets properly confined.
- Place the product against wall with a width of 2.4" or more and on a flat sturdy surface.
- This product fits openings from 28.3 - 35.8" wide. Do not place the product outside this range.
- Do not use this product for any purpose other than its intended use.
- Keep the product away from fire or extreme high temperatures.
- Place the product against sturdy wall surfaces (locate studs) to prevent damage to the wall surface.
- Make sure that the Adjuster Knobs are tightened securely.
- Use mild detergent to clean.
- Do not use harsh chemicals such as benzoin or thinner.



Parts / Specifications



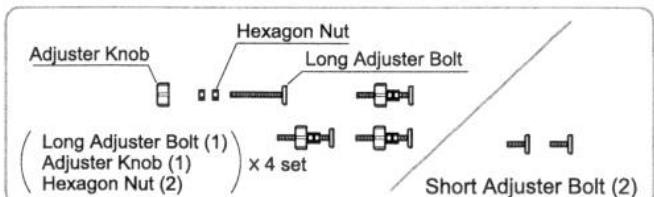
● Side Frame (2)



● Option Frame Set

Materials

Metal part of body: Steel
Plastic part of body: Polypropylene
Adjuster Bolt: Steel and TPE resin
Gate Door: Rubber wood

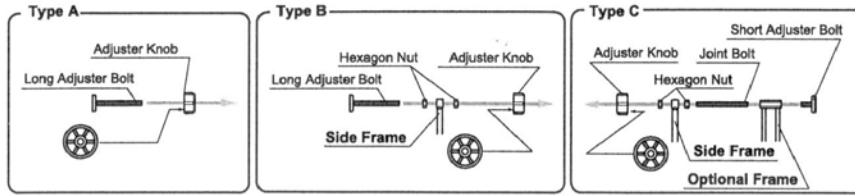


● Adjuster Set (1 bag)

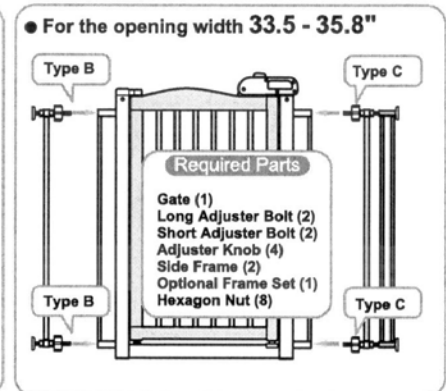
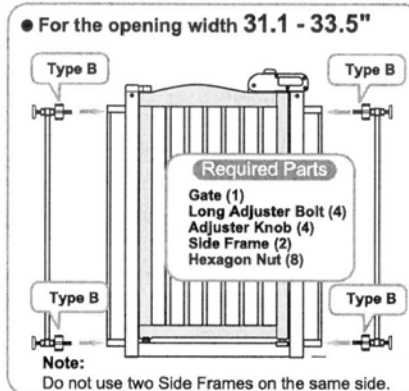
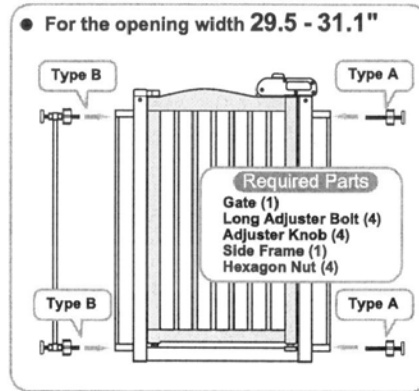
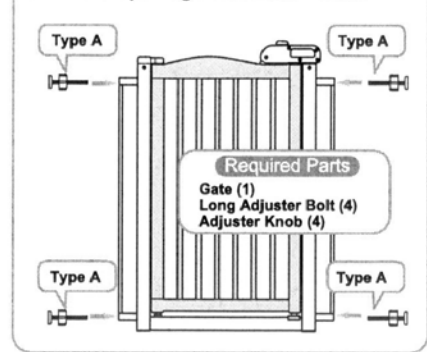
Before assembling

Parts you need vary depending on your doorway/hallway opening as shown in Fig. 3-1. For the opening from 29.5 - 35.8", adjust the clearance using Side or Option Frames.

● Three Options For Additions of Side or Optional Frames



● For the opening width 28.3 - 29.5"



Adjust Hexagon Nut until the clearance between each frame is set to 2" and under as shown in Fig. 3-2. Be sure to secure Hexagon Nut so that pets cannot move the Frames and get caught.

Note:

Tighten the top Adjuster Knob to create the same spacing between the Gate Door and the Main Frame.

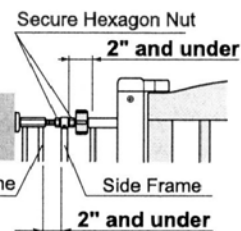


Fig. 3-1

Fig. 3-2

How to install

1. Determine the direction for opening door and set the product against the wall.
2. Tighten the upper Adjuster Knob until the rubber of Adjuster touches the wall surface.
3. Tighten the upper Adjuster Knob until the clearance between the Gate Door and the Main Frame is set to 1/8" to create equal spacing as shown in Fig. 4-2.
4. Tighten the lower Adjuster Knob to make the product vertical, and stretch the product fully.

Note:

Install the product against the wall vertically as shown in Fig. 4-1. The bottom of product should contact the floor.

Note:

Tighten the Adjuster Knobs equally on both sides to prevent overturning or damage to the product as shown in Fig. 4-2.

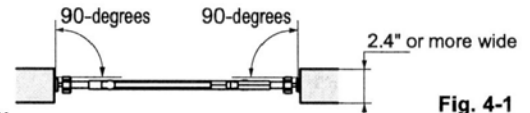


Fig. 4-1

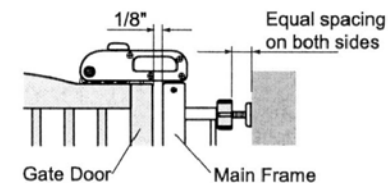


Fig. 4-2

Installation Check

If correctly installed, the product should not feel loose or wobbly when tugged.

How to open or close the door

How to open the door:

Lift Door Handle while pushing Lock Button forward with thumb as shown in Fig. 4-3.

How to close the door:

Lower Door Handle until it snaps properly into place. Make sure that Fork is centered over Main Frame's lower bar, and locks in place securely, as shown in Fig. 4-3.

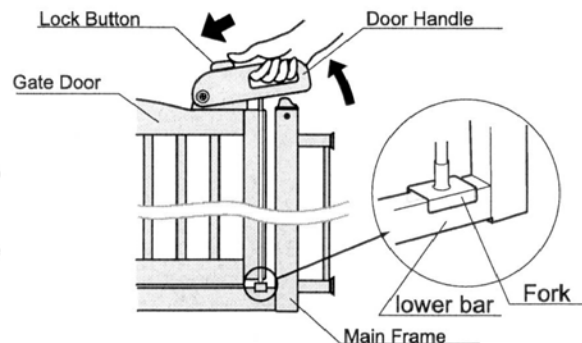


Fig. 4-3

Designed by:
Richell Corporation, Japan

Distributed by:
Richell USA Inc.
2100 N. Hwy. 360, Suite 1700, Grand Prairie, TX 75050
Phone (972) 641-9795 Fax (972) 641-8495
Visit Us at www.richellusa.com
Made In China