

Fashion Bed Group

A Division of Leggett & Platt Incorporated
5950 West 51st Street - Chicago, IL 60638

Parts List For Stephanie Daybed

PART #373601 HARDWARE BAG FOR DAYBED

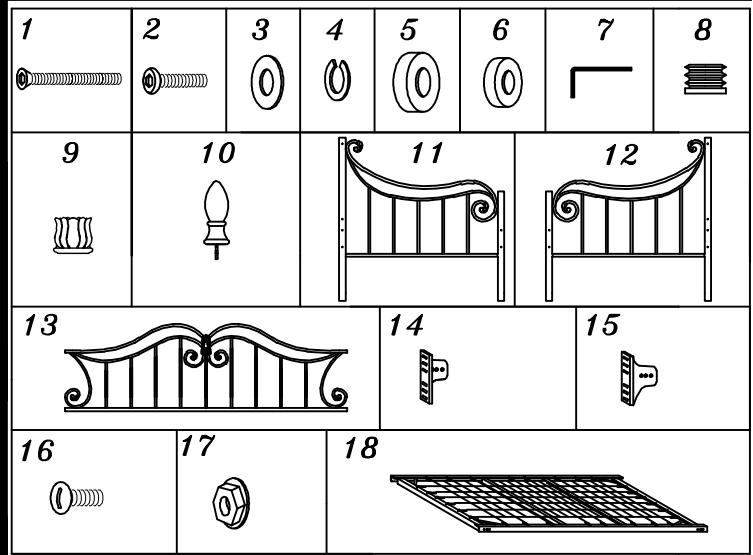
- (1) 1/4-20 X 2 1/4" COUNTERSUNK ALLEN HEAD SCREW-4
- (2) 1/4-20 X 1" FLAT ALLEN HEAD SCREW-8
- (3) 1/4" ID X 5/8" OD FLAT METAL WASHER-8
- (4) 1/4" ID METAL SPRING WASHER-8
- (5) 3/4" ID LARGE CHECK RING-2
- (6) 5/8" ID SMALL CHECK RING-2
- (7) ALLEN WRENCH-1
- (8) PLASTIC GLIDE-4 #150950000

DAYBED PARTS:

- (9) FOOT CASTING -4 # 373602
- (10) FINIAL -4 #373603
- (11) RIGHT SIDE-1
- (12) LEFT SIDE-1
- (13) BACK PANEL-1

LINK SPRING PARTS:

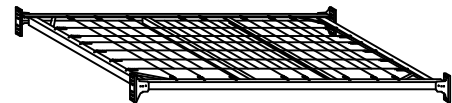
- (14) LEFT BRACKET-2
- (15) RIGHT BRACKET-2
- (16) 5/16-18 SCREW-4
- (17) 5/16-18 HEX NUT-4
- (18) SUPPORT DECK-1



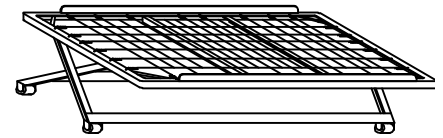
SAVE ALL PACKAGING MATERIALS UNTIL PRODUCT IS FULLY ASSEMBLED. HARDWARE AND SMALL PIECES MAY NOT BE SEEN AND COULD BE ACCIDENTALLY DISCARDED WITH PACKAGING MATERIALS.



MATTRESS LINK SPRING FULLY ASSEMBLED



OPTIONAL



Instruction Sheet

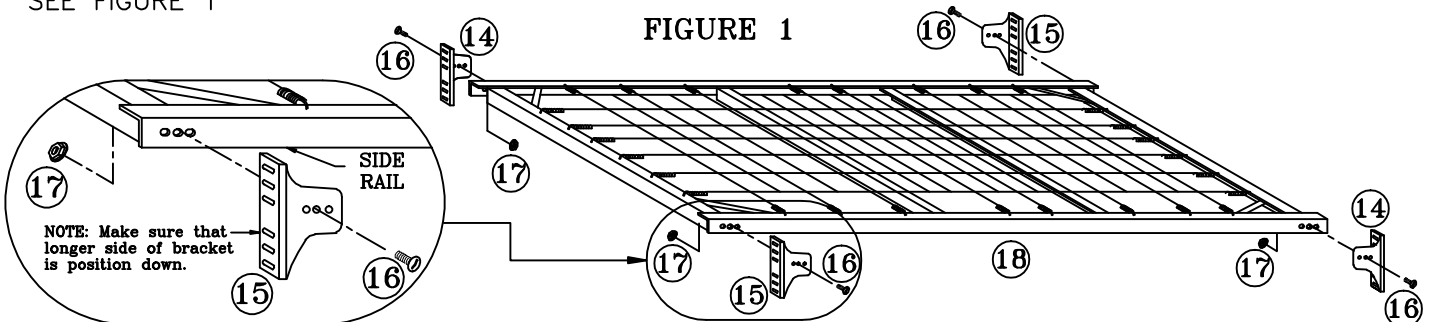
NOTE: For ease of assembly you will need a helper.
Periodically retighten all screws.

STEP 1- Locate Hardware bag for Daybed & Link Spring Assembly

- Hardware bag for daybed assembly is located inside the daybed carton box.
- Link spring hardware bag is located below the link spring cross bar.

STEP 2- Link Spring Assembly

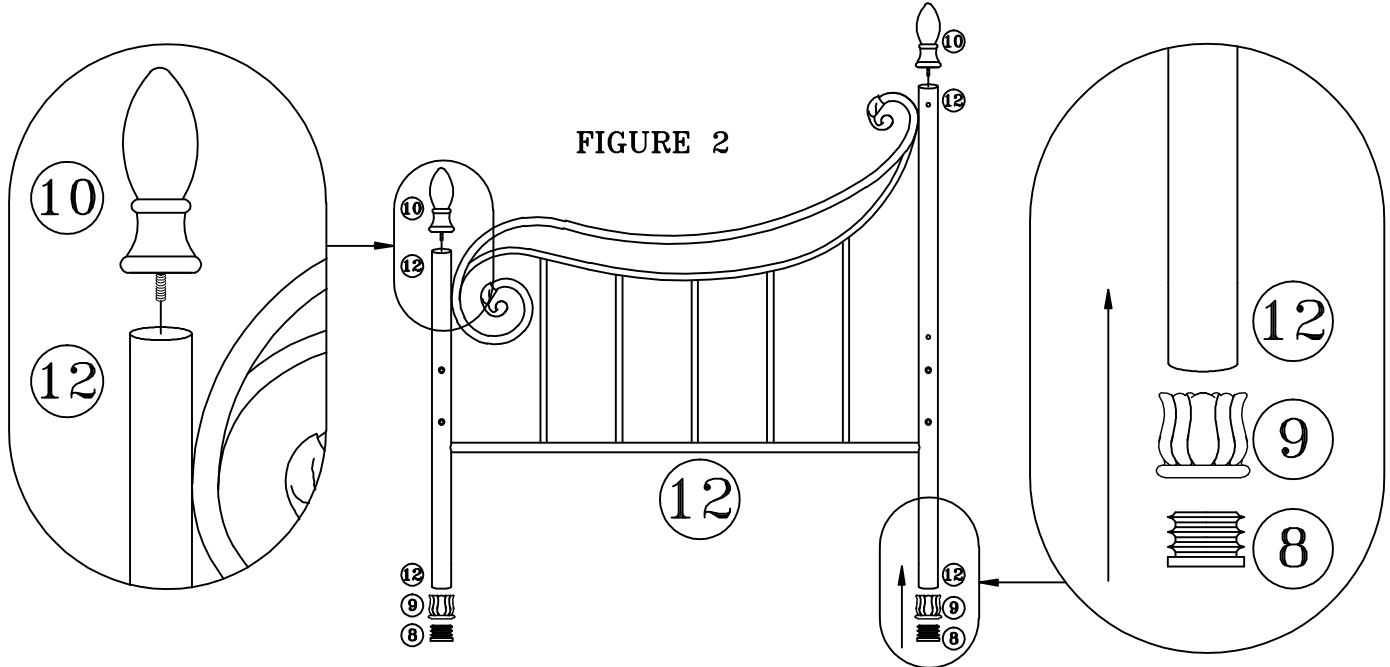
- Attach left & right brackets (14 & 15) to side rails using screw (16) and hex nut (17).
SEE FIGURE 1



Instruction Sheet

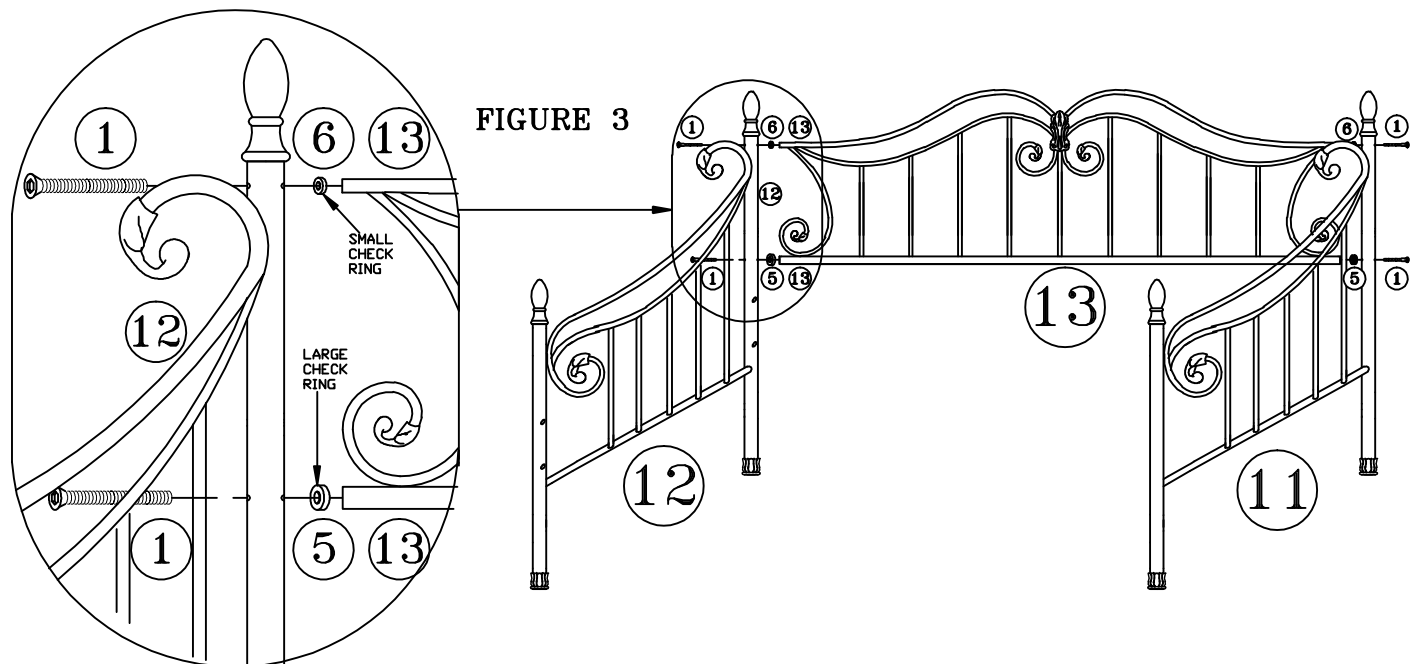
STEP 3- Assembly of Foot casting and Finial

- Insert foot casting (9) into bottom of front and back post on left side panel (12). SEE FIGURE 2
- Secure Foot casting (9) by insert plastic (8) into foot casting and post of left side panel (12). SEE FIGURE 2
- Screw Finial (10) on top of each post of left side panel (12). SEE FIGURE 2
- Repeat same step with right side panel (11).



STEP 4- Assembly of Back Panel

- Place large check ring (5) and small check ring (6) between back panel (13) rails and back post of left side panel (12). SEE FIGURE 3
- Align holes on left side panel (12) with end rails of back panel (13). SEE FIGURE 3
- Secure back panel (13) rails with screw (1) use Allen wrench (7).
DO NOT TIGHTEN SCREWS COMPLETELY.
- Repeat same steps with Right side panel (11).

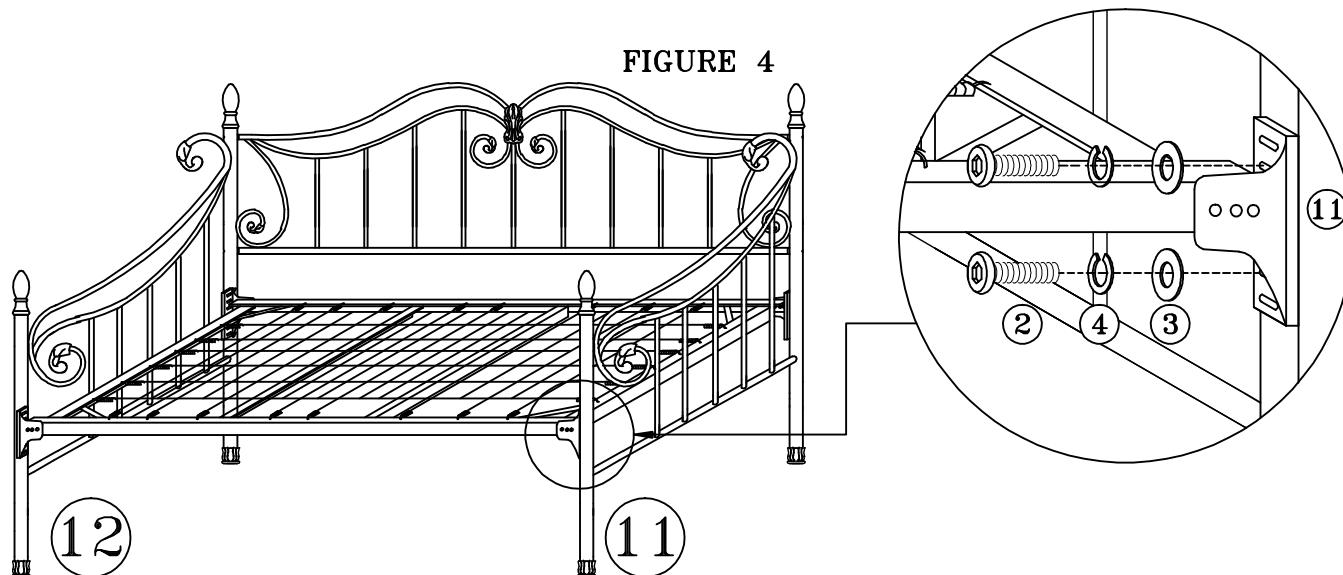


Instruction Sheet

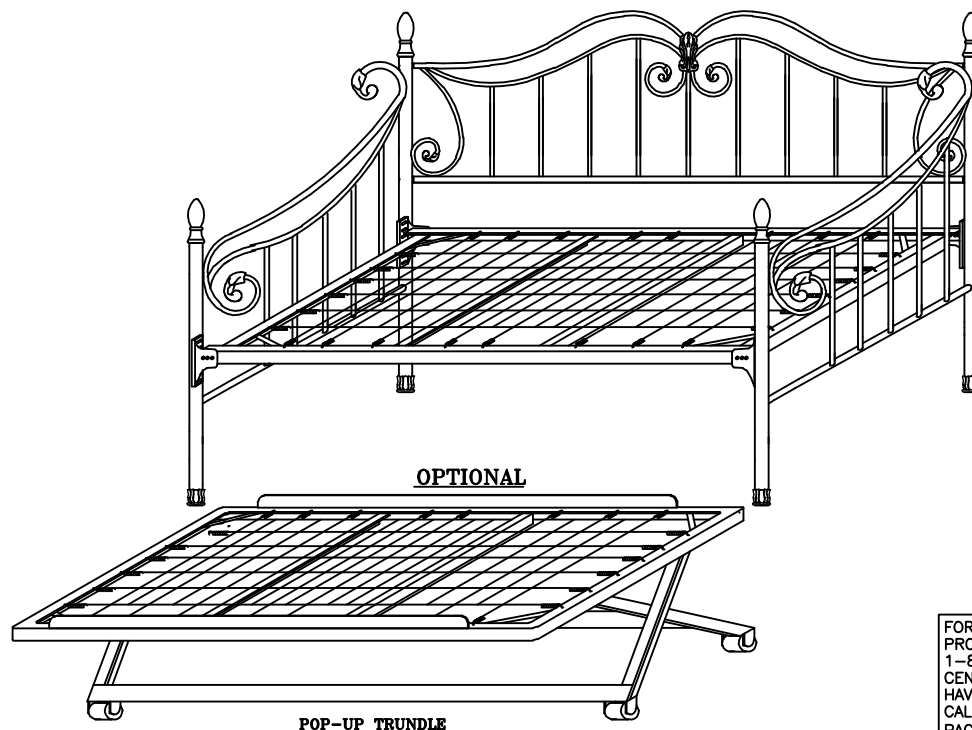
● STEP 5- Attachment of link spring to Daybed Side Panels

- Align holes on link spring brackets with threaded holes on side panels (11 & 12) post. SEE FIGURE 4
- Secure link spring with screw (2), flat metal washer (3) and spring washer (4).
- Tighten screws (2) with Allen wrench (7).
- Now tighten screws (1) with Allen wrench (7). SEE FIGURE 3

FIGURE 4



DAYBED FULLY ASSEMBLED



FOR ASSISTANCE IN ASSEMBLY ONLY OF THIS PRODUCT. CALL OUR HELP DESK AT 1-800-324-3415, BETWEEN 8:30 AM & 4:30 PM CENTRAL TIME MONDAY THRU FRIDAY. PLEASE HAVE THE STYLE NUMBER AVAILABLE BEFORE YOU CALL. (STYLE # OR NAME CAN BE FOUND ON PACKING CARTON OR SALES RECEIPT.) OUR PRODUCT IS INSPECTED TO ENSURE IT IS IN GOOD CONDITION. IF YOUR FURNITURE APPEARS TO HAVE BEEN DAMAGED IN SHIPMENT OR YOU ARE IN NEED OF REPLACEMENT PARTS PLEASE CONTACT THE DEALER FROM WHOM YOU PURCHASED THE PRODUCT.