

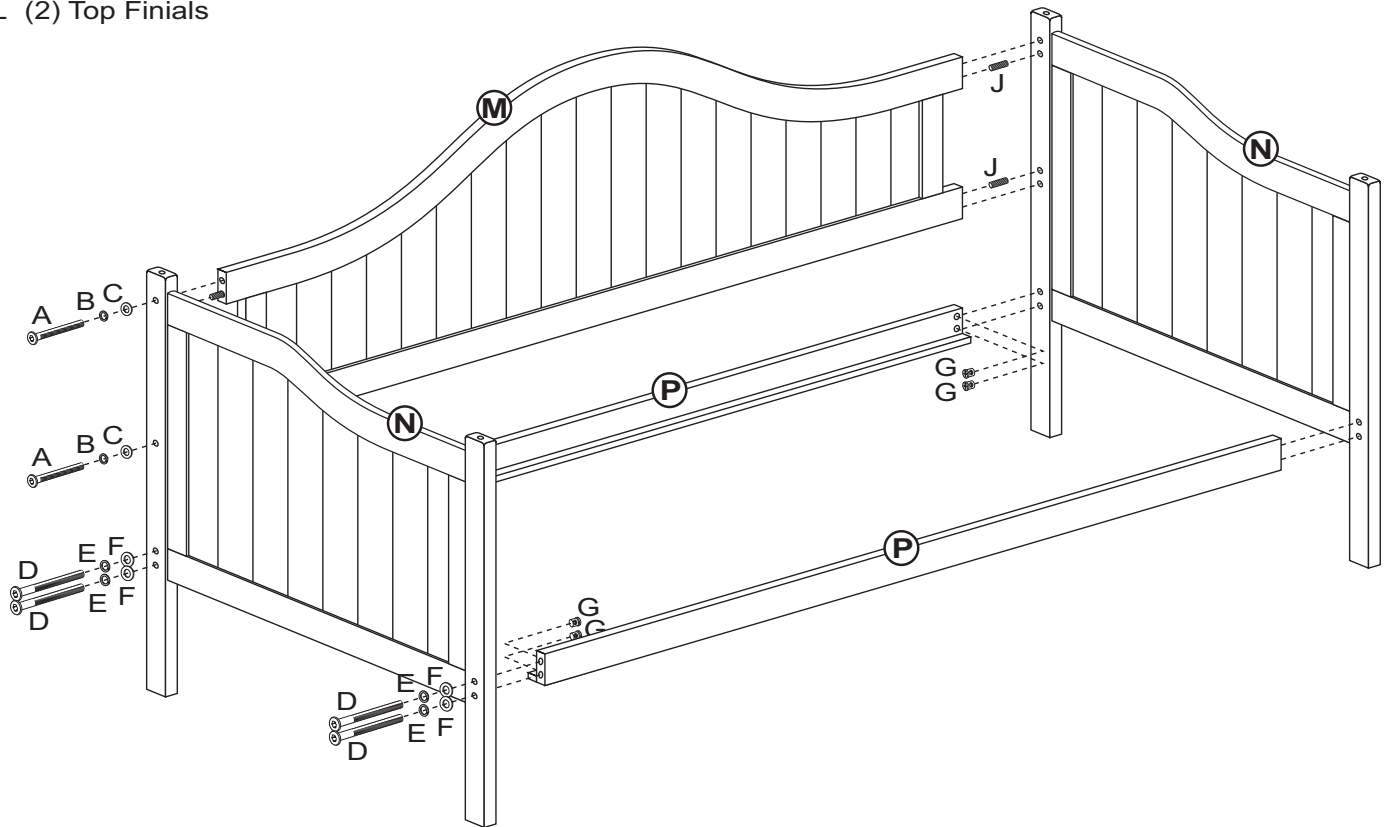
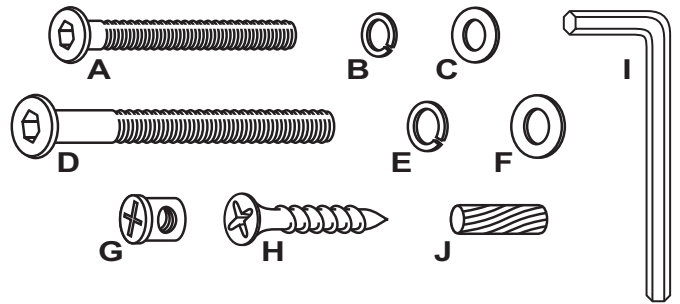
Examine all packaging material for small parts that may have come loose during shipment. Periodic checks are recommended to insure that all components are in proper position, tight and free from damage. Keep this assembly instruction for future reference. Adult assembly is required. Customer Service Phone Number: 502-562-0000

**HARDWARE LIST**

- A (4) Allen Bolts 1/4" x 3-1/8"
- B (4) Spring Washers 1/4"
- C (4) Flat Washers 1/4"
- D (8) Allen Bolts 5/16" x 4-1/4"
- E (8) Spring Washers 5/16"
- F (8) Flat Washers 5/16"
- G (8) Barrel Nuts
- H (12) Wood Screws
- I (1) Allen Wrench
- J (2) Wood Dowels
- K (2) Bunn Feet
- L (2) Top Finials

**PARTS LIST**

- M (1) Back Panel
- N (2) Side Panels
- P (2) Mattress Rails
- R (14) Mattress Slats
- S (4) Top Finials
- T (4) Bunn Feet



**STEP 1**

Begin assembly by attaching the Back Panel (M) to each Side Panel (N) by first inserting each Wood Dowel (J) in the inner open holes and guiding in place. Secure each Side Panel using 2 Allen Bolts (A), 2 Spring Washers (B), & 2 Flat Washers (C) per each side. Do not fully tighten bolts.

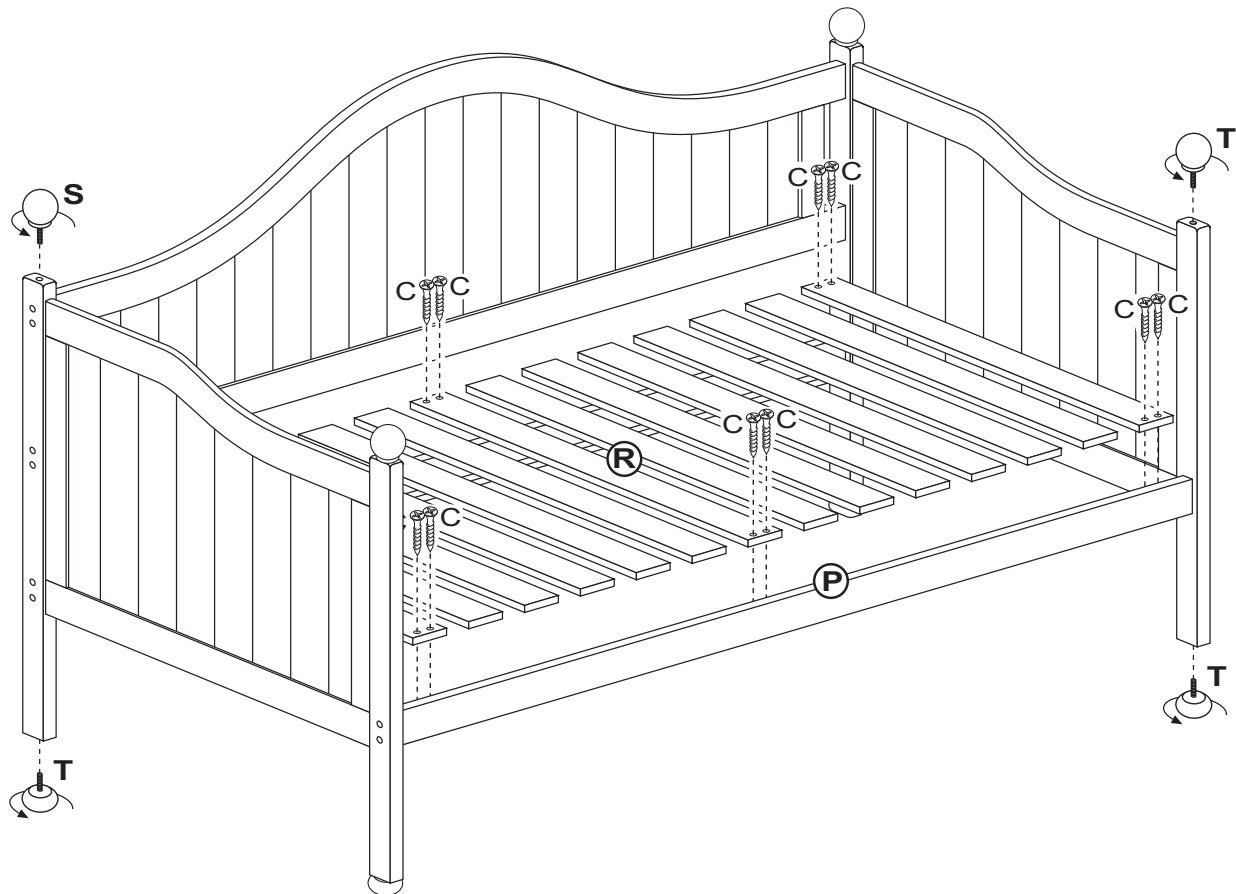
**STEP 2**

Next, attach one Mattress Rail (P) to the front posts on each Side Panel (N) by first inserting 2 Barrel Nuts (G) into the inside holes by pressing in place. Once in place, secure from the outside using 2 Allen Bolts (D), 2 Spring Washers (E), & 2 Flat Washers (F) per each side. Do not fully tighten bolts.

**STEP 3**

Also attach the remaining Mattress Rail (P) to the rear posts on each Side Panel (N) by first inserting 2 Barrel Nuts (G) into the inside holes by pressing in place. Once in place, secure from the outside using 2 Allen Bolts (D), 2 Spring Washers (E), & 2 Flat Washers (F) per each side. Tighten all bolts.

Examine all packaging material for small parts that may have come loose during shipment. Periodic checks are recommended to insure that all components are in proper position, tight and free from damage. Keep this assembly instruction for future reference. Adult assembly is required. Customer Service Phone Number: 502-562-0000



**STEP 4**

Attach each Top Finial (S) to the top of each post on the Side Panels (N) by firmly screwing each in place. Do not overtighten. Also attach each Bunn Foot (T) into the bottom of each post on the Side Panels (N) by firmly screwing in place. Do not overtighten.

**STEP 5**

Finally, attach the Mattress Slats (R) to the inside of each Mattress Rail (P) already assembled, using 2 Wood Screws (C) per each slat with holes, per each side. Tighten all screws. The assembly is now complete.