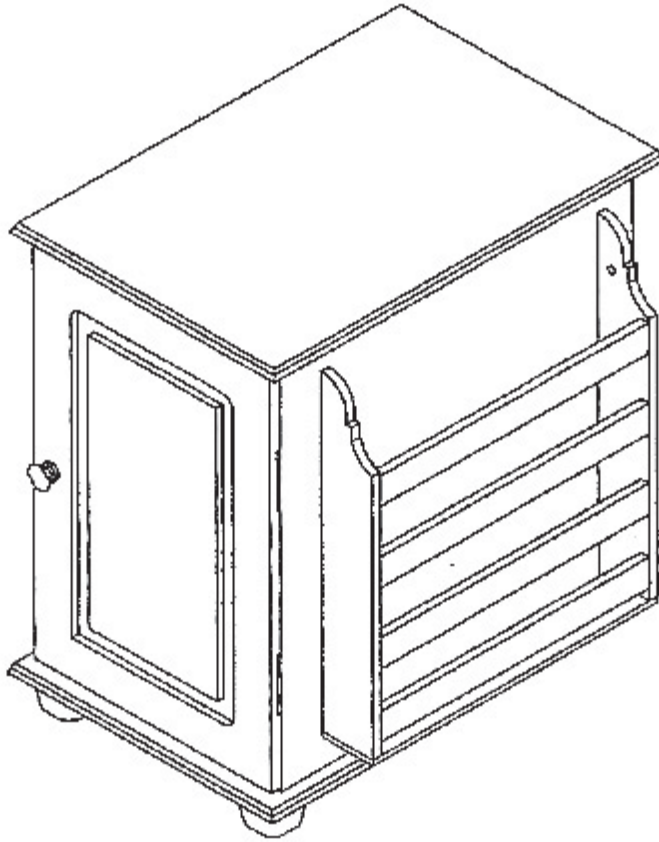
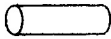


# TOUCH OF CLASS MAGAZINE TABLE



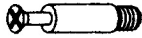
<u>LETTER</u>	<u>DESCP</u>	<u>Q'TY</u>
A	TOP	1
B	BOTTOM	1
C	LEFT SIDE PANEL	1
D	RIGHT SIDE PANEL	1
E	DOOR	1
F	SLIDE PANEL	1
G	SHELF	1
H	BASKET BOTTOM	1
I	BACK PANEL	1
J	BASKET FRONT	1
K	BASKET BACK	1
L	BASKET SLAT	4
M	WOOD DOWEL	28
N	CAM LOCK SCREW	8
O	CAM LOCK	8
P	LARGE PHILLIPS HEAD SCREW	4
Q	T-NUT	4
R	SMALL PHILLIPS HEAD SCREW	1
S	KNOB	1
T	ROUND HEAD WOOD SCREW	6
U	1/2" FLAT HEAD WOOD SCREW	4
V	PIN	4
W	LEG	4
X	1" FLAT HEAD WOOD SCREW	4
Y	"L" WRENCH	1
Z	GLUE	1



M WOOD DOWEL 28PCS



T 1/2" ROUND HEAD  
SCREW 6PCS



N CAM LOCK SCREW 8PCS



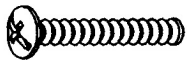
U 1/2" FLAT HEAD  
SCREW 4PCS



O CAM LOCK 8PCS



V PIN 4PCS



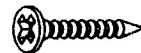
P LONG PHILLIPS HEAD  
SCREW 4PCS



W LEG 4PCS



Q "T" NUT 4PCS



X 1" FLAT HEAD  
SCREW 4PCS



R SHORT PHILLIPS HEAD  
SCREW 1PC



Y "L" WRENCH 1PC

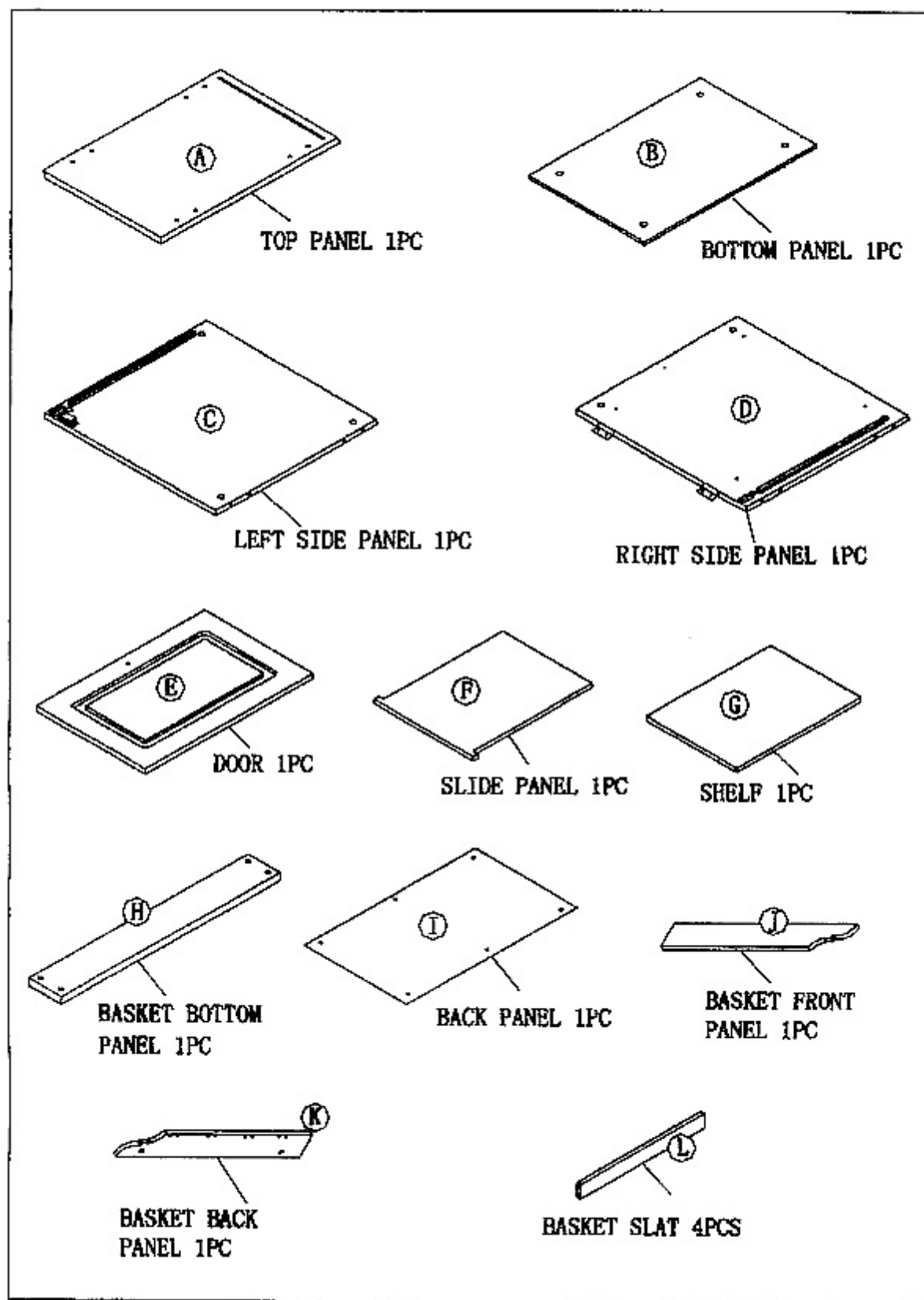


S KNOB 1PC



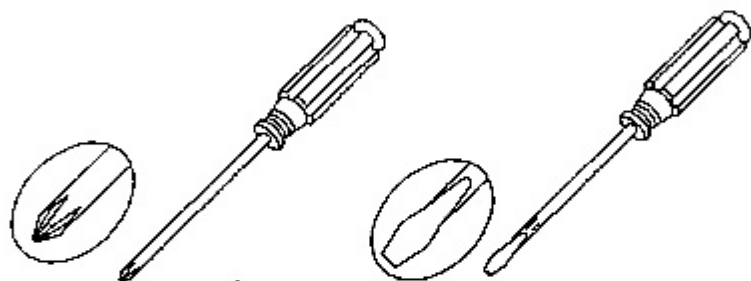
Z GLUE 1PC

**PARTS LIST**



## ASSEMBLY INSTRUCTIONS

### ASSEMBLY TOOLS REQUIRED

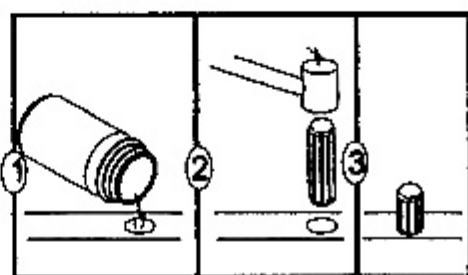


### WOOD DOWEL INSTALLATION PROCEDURE:

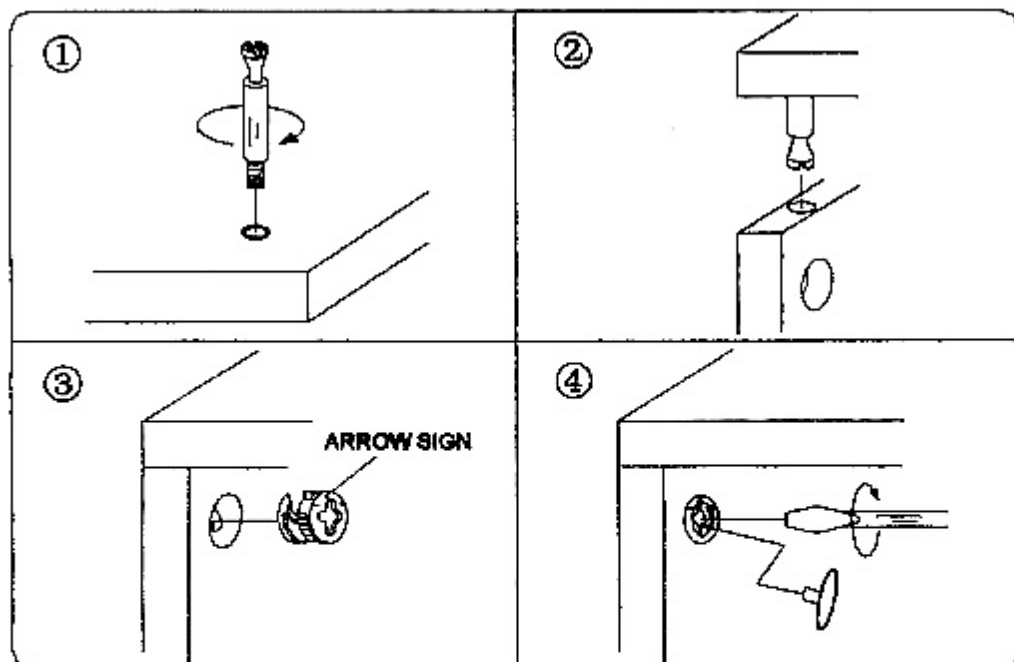
(1). FILL HOLE 1/4 FULL OF GLUE.

(2). GENTLY TAP DOWEL INTO HOLE WITH RUBBER Mallet. DO NOT USE HAMMER.

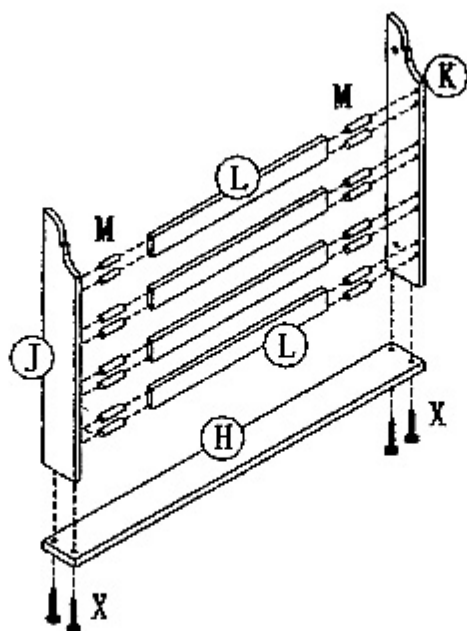
(3). WIPE AWAY EXCESS GLUE.



### HIDDEN CONNECTOR ..... ASSEMBLY TECHNIQUES

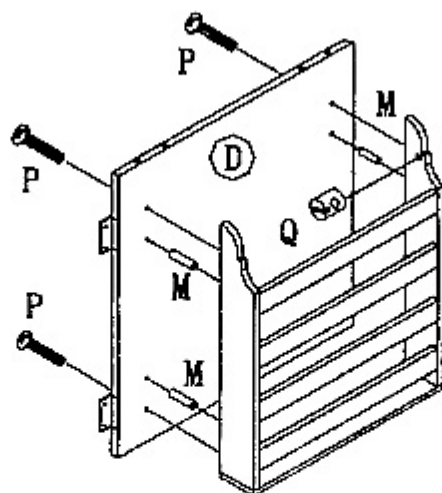


## STEP 1



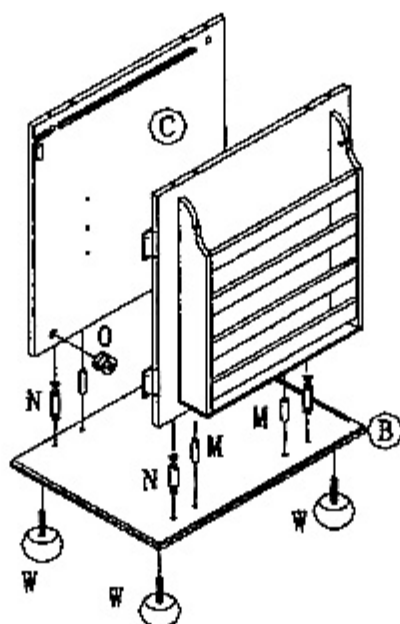
1. APPLY APPROPRIATE GLUE (Z) TO PREDRILLED HOLES IN BASKET FRONT AND BACK (J & K) AND BASKET SLATS (L).
2. ATTACH BASKET SLATS (L) TO BASKET FRONT AND BACK (J & K) WITH WOOD DOWELS (M).
3. ATTACH BASKET FRONT AND BACK (J & K) TO BASKET BOTTOM (H) WITH 1" FLAT WOOD SCREWS (X).

## STEP 2



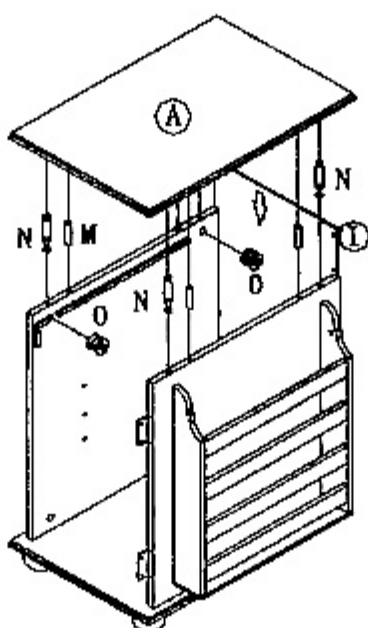
4. INSERT T-NUTS (Q) INTO PREDRILLED HOLES IN BASKET FRONT AND BACK (J & K).
5. ATTACH THE BASKET ASSEMBLY (J, K, L, H) TO RIGHT SIDE PANEL (D) WITH LARGE PHILLIPS HEAD SCREWS (P) AND TIGHTEN.

### STEP 3



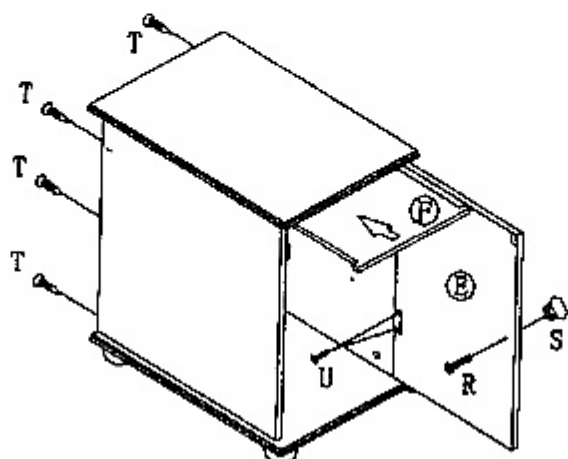
6. SCREW LEGS (W) ONTO BOTTOM (B).
7. SCREW CAM LOCK SCREWS (N) ONTO THREADED HOLES IN BOTTOM (B). INSERT WOOD DOWELS (M) INTO PREDRILLED HOLES IN BOTTOM (B).
8. ATTACH SIDE PANELS (C & D) TO BOTTOM (B) BY INSERTING CAM LOCKS (O) INTO PREDRILLED HOLES IN SIDE PANELS (C & D) AND TIGHTEN CLOCKWISE. (SEE CAM LOCK ASSEMBLY DETAILS)

### STEP 4



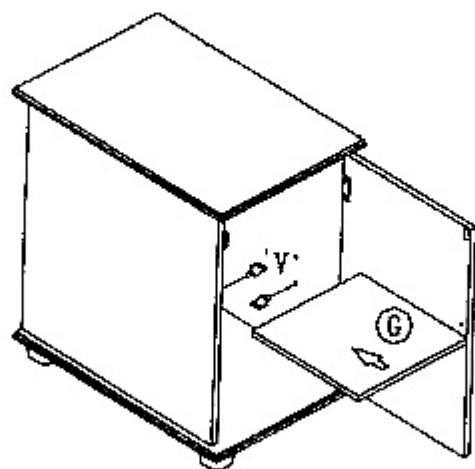
9. SCREW CAM LOCK SCREWS (N) ONTO THREADED HOLES IN TOP (A).  
INSERT WOOD DOWELS (M) INTO PREDRILLED HOLES IN TOP (A).
10. INSERT BACK PANEL (I) TO GROOVES IN SIDE PANELS (C & D).
11. ATTACH TOP (A) TO SIDE PANELS (C & D) BY INSERTING CAM LOCKS (O) INTO PREDRILLED HOLES IN SIDE PANELS (C & D) AND TIGHTEN CLOCKWISE.

#### **STEP 4**



12. SECURE BACK PANEL (I) TO SIDE PANELS (C & D) WITH ROUND WOOD SCREWS (T).
13. ATTACH KNOB (S) TO DOOR (E) WITH SMALL PHILLIPS HEAD SCREW (R).
14. ATTACH DOOR (E) TO RIGHT SIDE PANEL (D) WITH 1/2" FLAT WOOD SCREWS (U).
15. INSERT SLIDE PANEL (F) INTO CABINET.

#### **STEP 5**



16. INSERT PINS (V) TO SIDE PANELS (C & D).
17. PLACE SHELF (G) ON PINS (V)