

TOUCH OF CLASS CATALOG

Q. A. COMPUTER CONSOLE

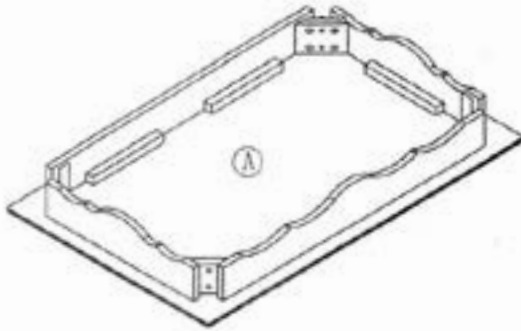
ITEM NO. :51002AB

ASSEMBLY INSTRUCTIONS



TOC20121108

PART LIST:



BOTTOM FRAME 1PC



TOP PANEL 1PC



LEFT SIDE PANEL 1PC



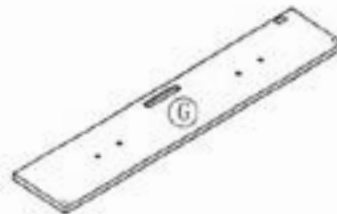
RIGHT SIDE PANEL 1PC



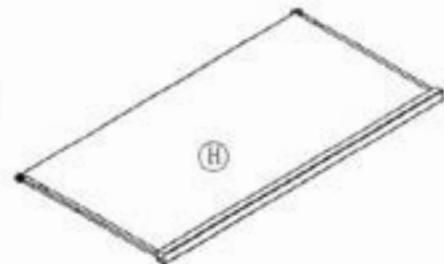
BACK PANEL 1PC



FOOT 4PCS



DOOR PANEL 1PC



KEYBOARD TRAY 1PC

HARDWARE LIST:



a. WOOD DOWEL 14PCS



b. CAM LOCK SCREW 12PCS



c. CAM LOCK 12PCS



d. 1/2" FLAT HEAD SCREW 4PCS



e. SMALL PHILLIPS HEAD SCREWS 4PCS



f. HANDLE 2PCS



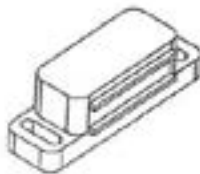
g. WASHER 8PCS



h. SPRING WASHER 8PCS



i. PHILLIPS HEAD BOLT 8PCS



j. MAGNET 1PC



k. ROUND HEAD SCREW 2PCS



l. GLUE 1PC



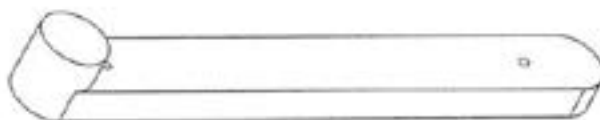
m. WRENCH 1PC



n. POTHOOK 2PCS

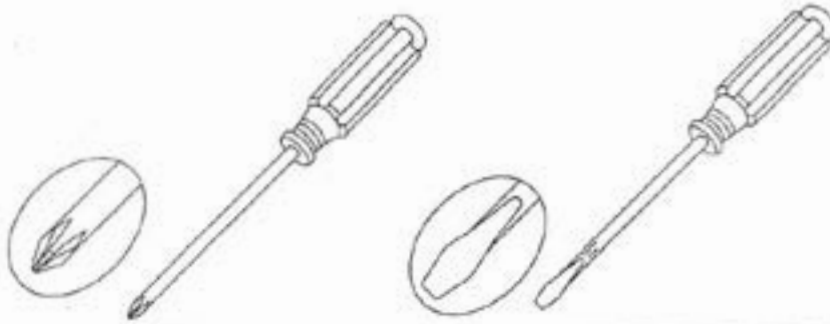


o. 3/4" FLAT HEAD SCREW 4PCS



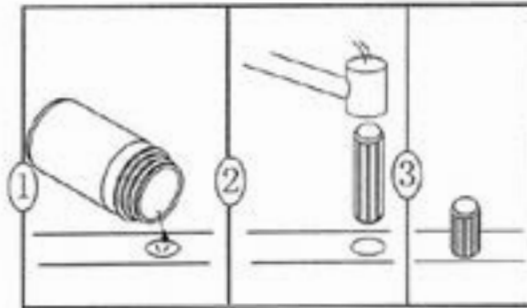
p. SLIDE-RAIL 2PCS

ASSEMBLY TOOLS REQUIRED



WOOD DOWEL INSTALLATION PROCEDURE:

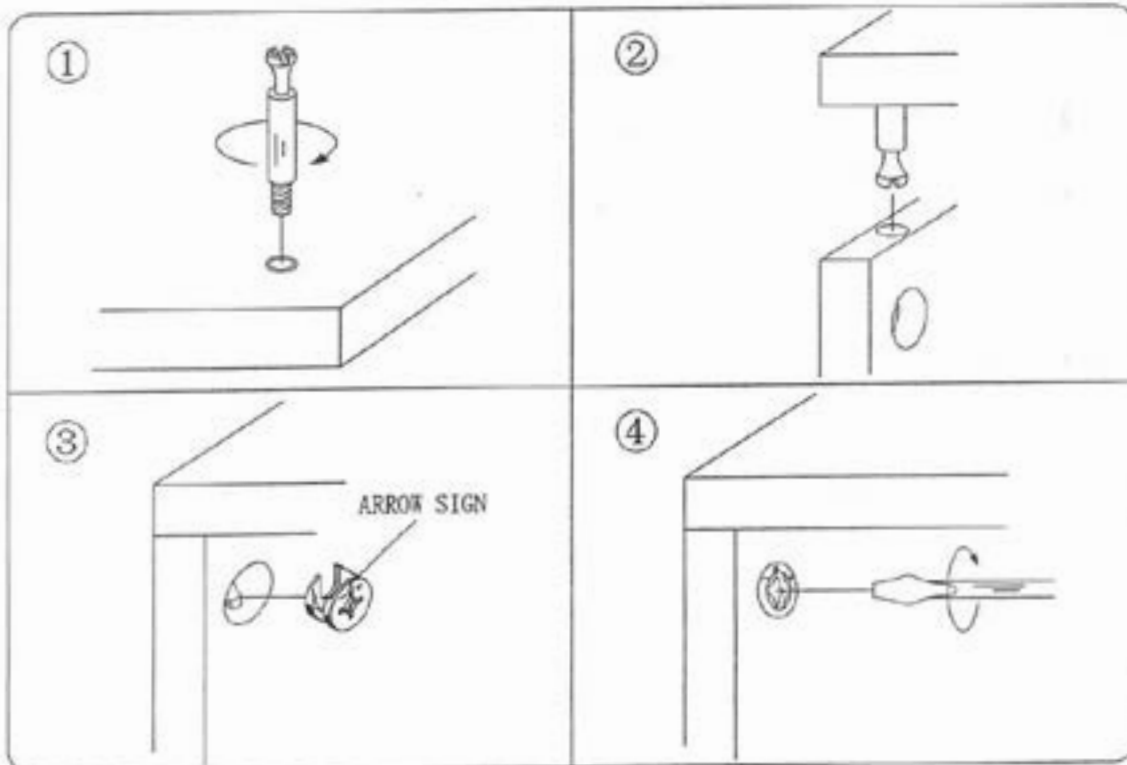
- (1). FILL HOLE 1/4 FULL OF GLUE.
- (2). GENTLY TAP DOWEL INTO HOLE WITH RUBBER Mallet.
DO NOT USE HAMMER.
- (3). WIPE AWAY EXCESS GLUE.



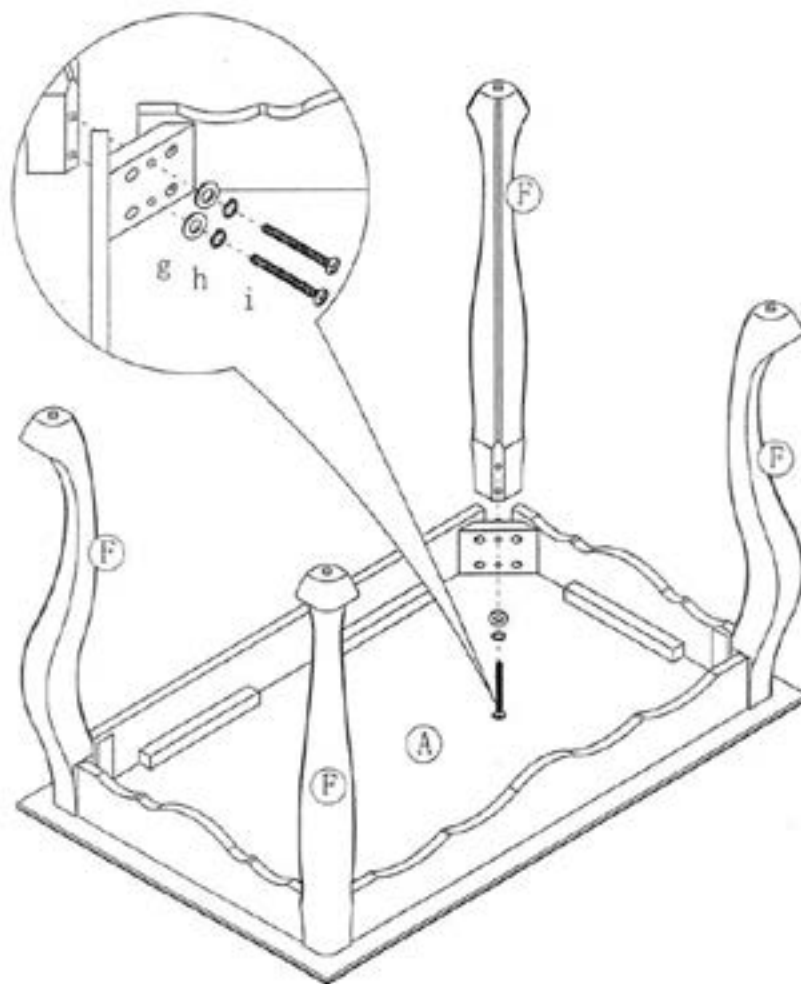
HIDDEN CONNECTOR

.....

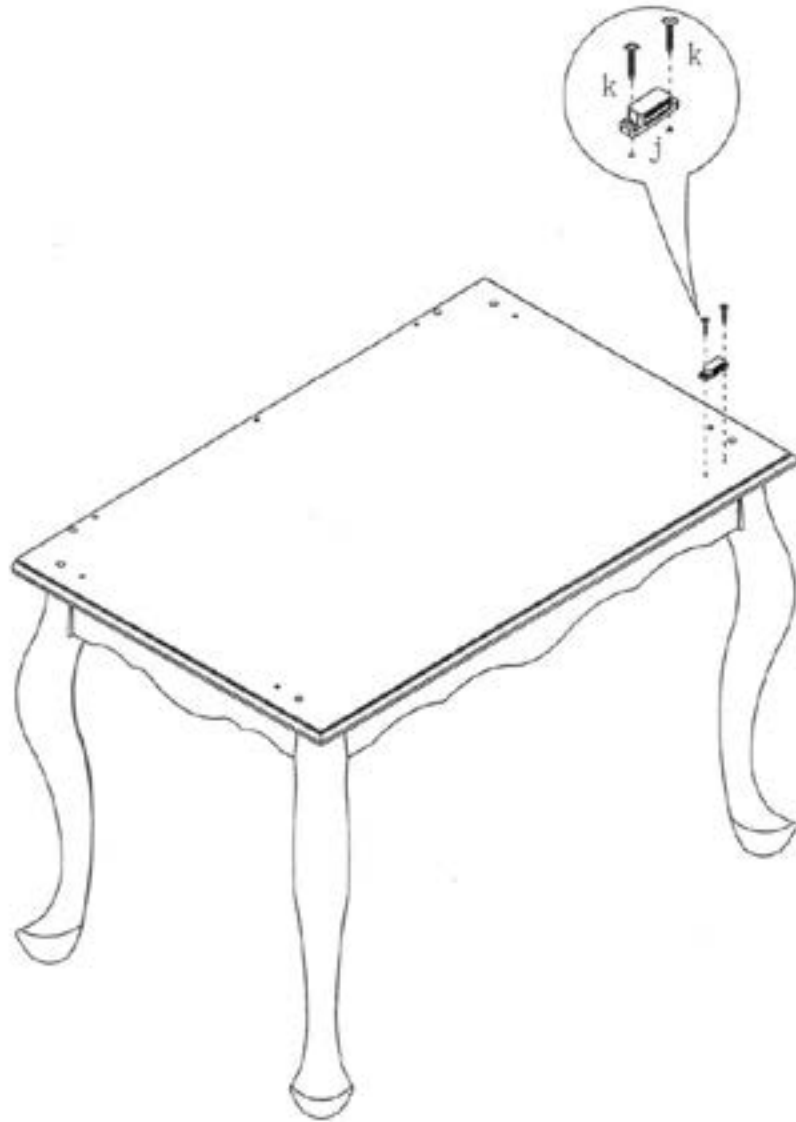
ASSEMBLY TECHNIQUES



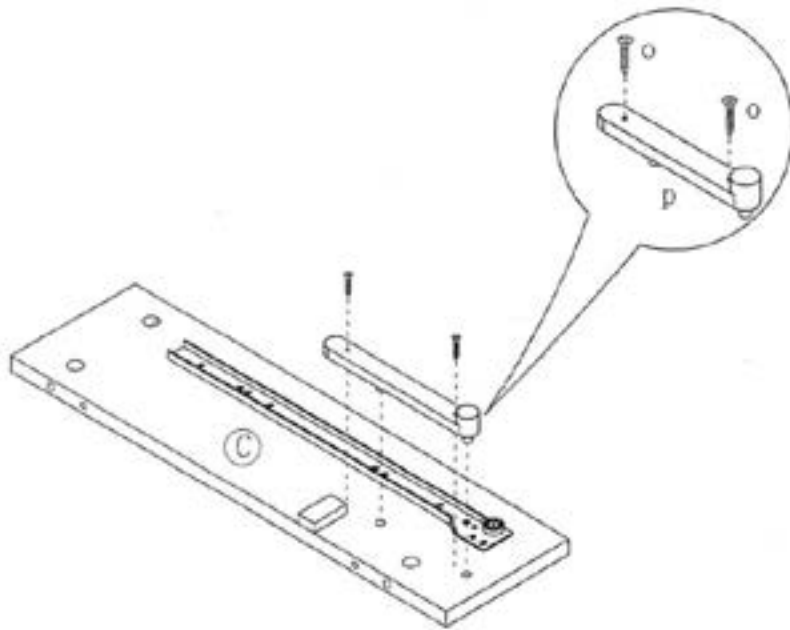
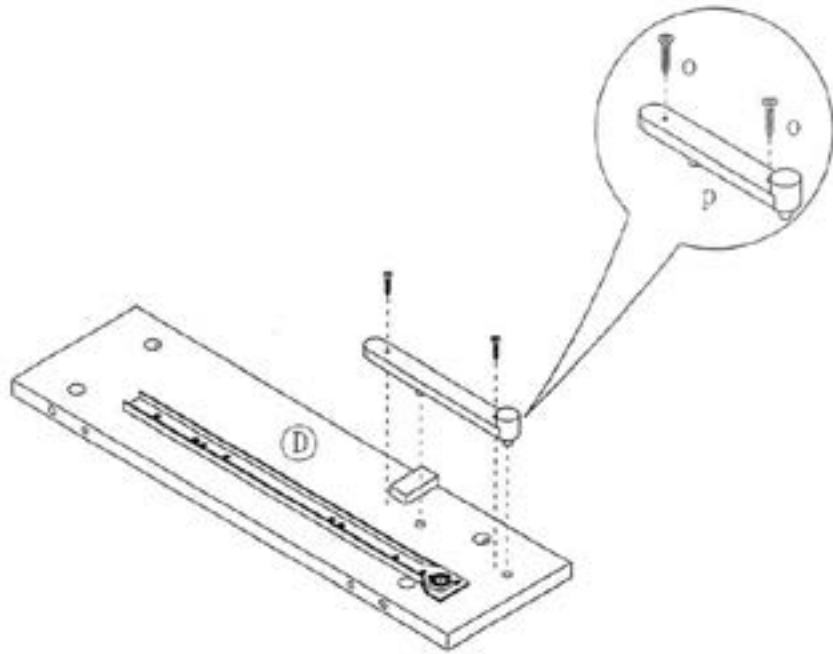
STEP 1



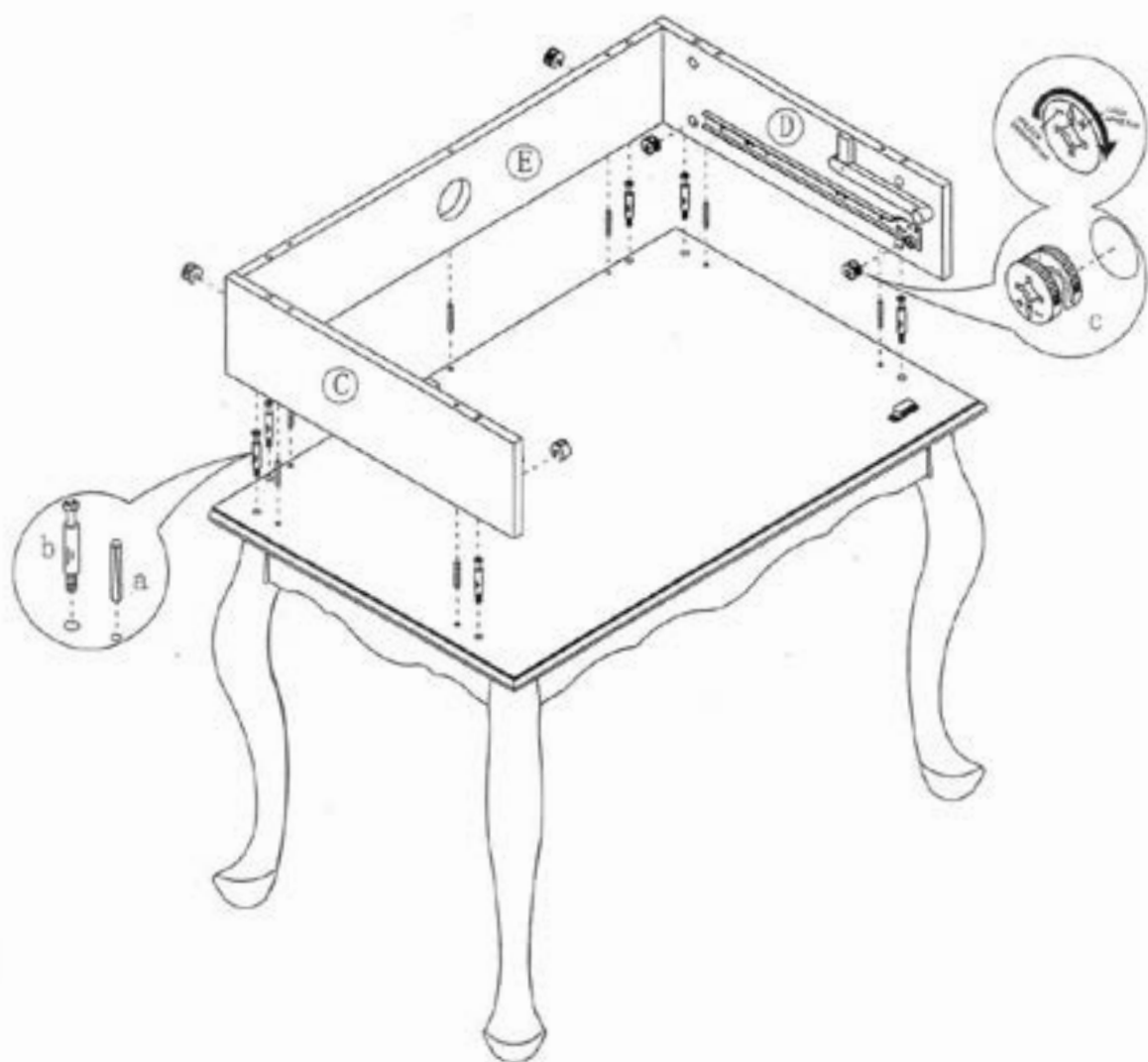
STEP 2



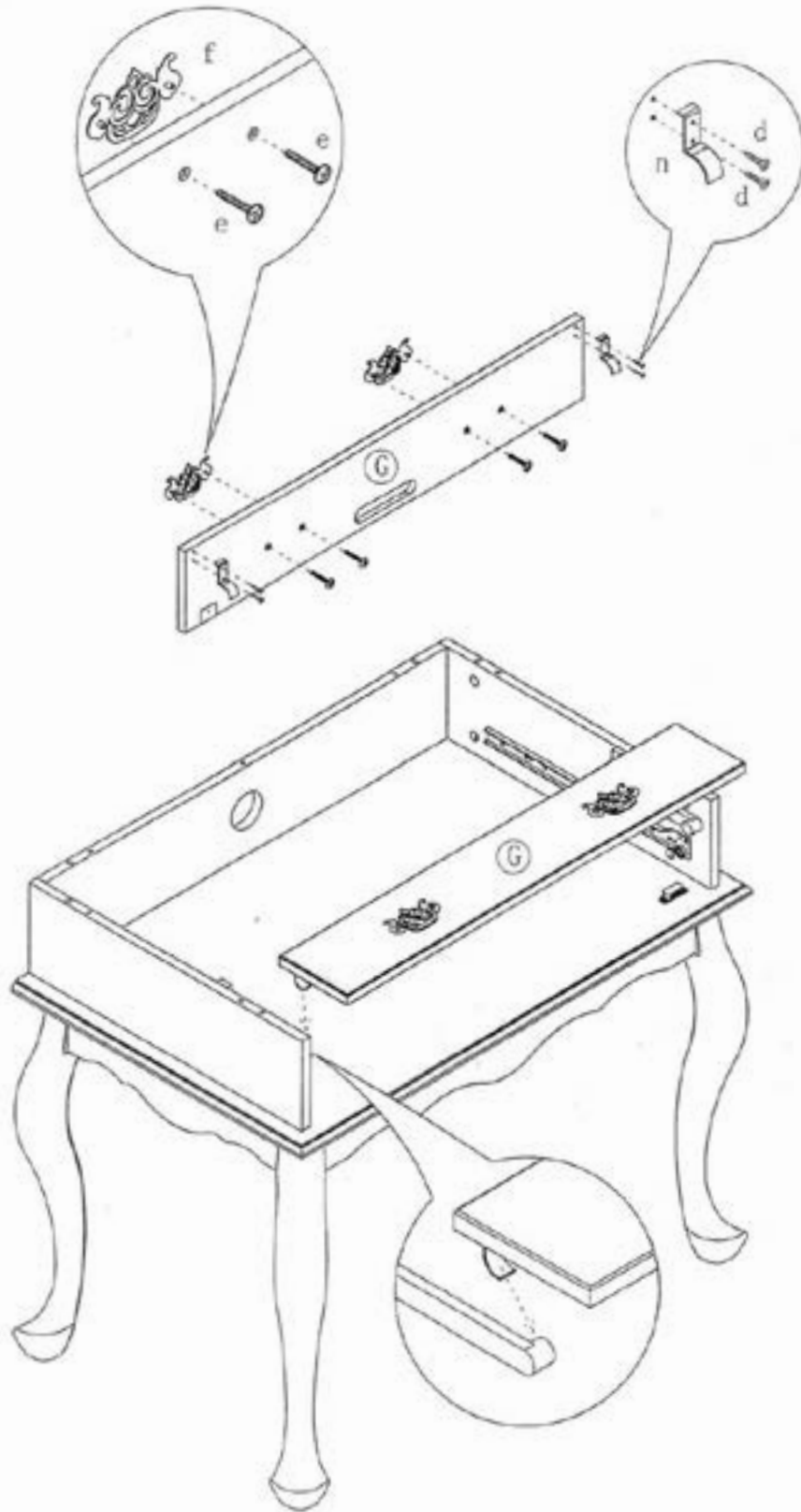
STEP 3



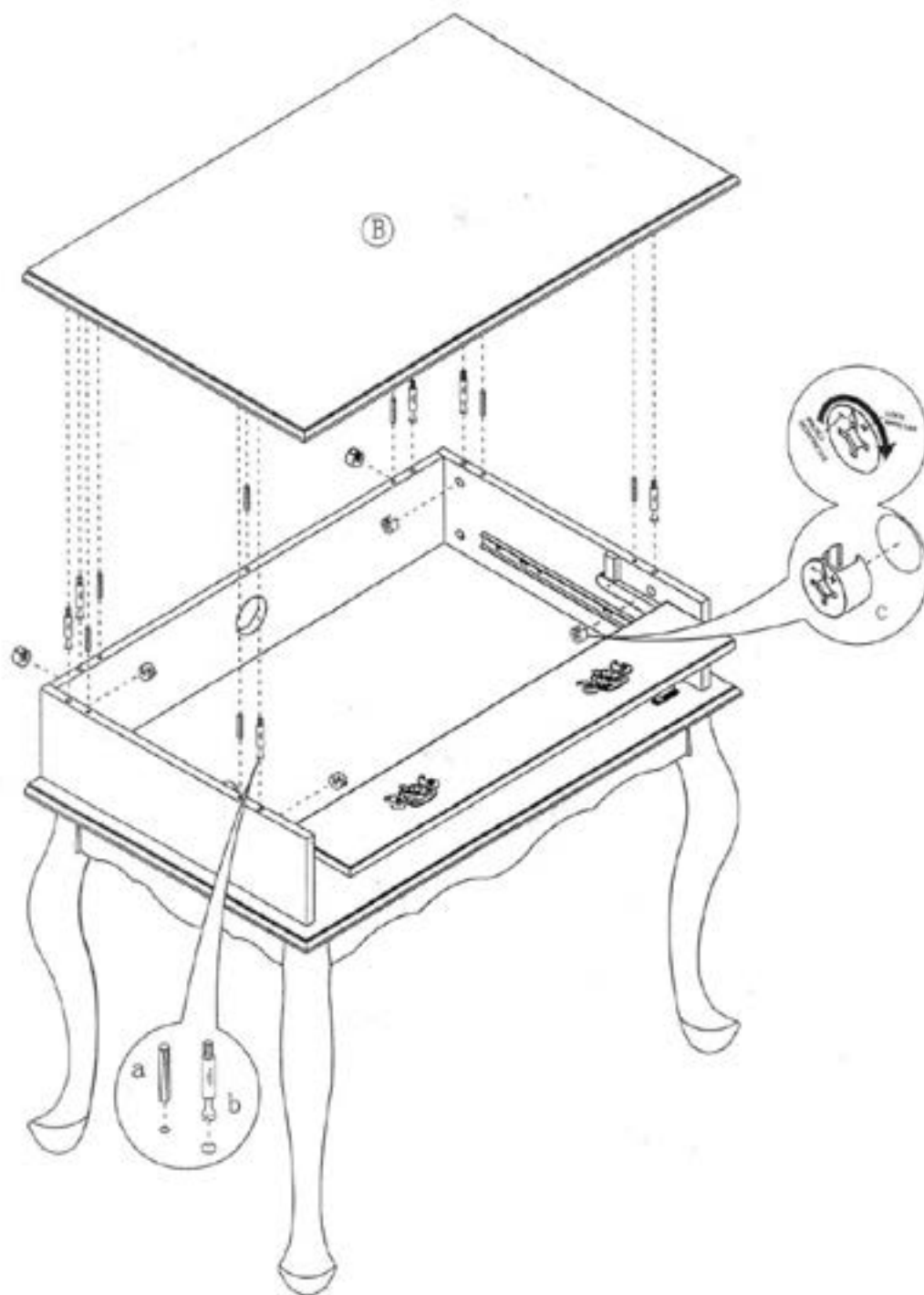
STEP 4



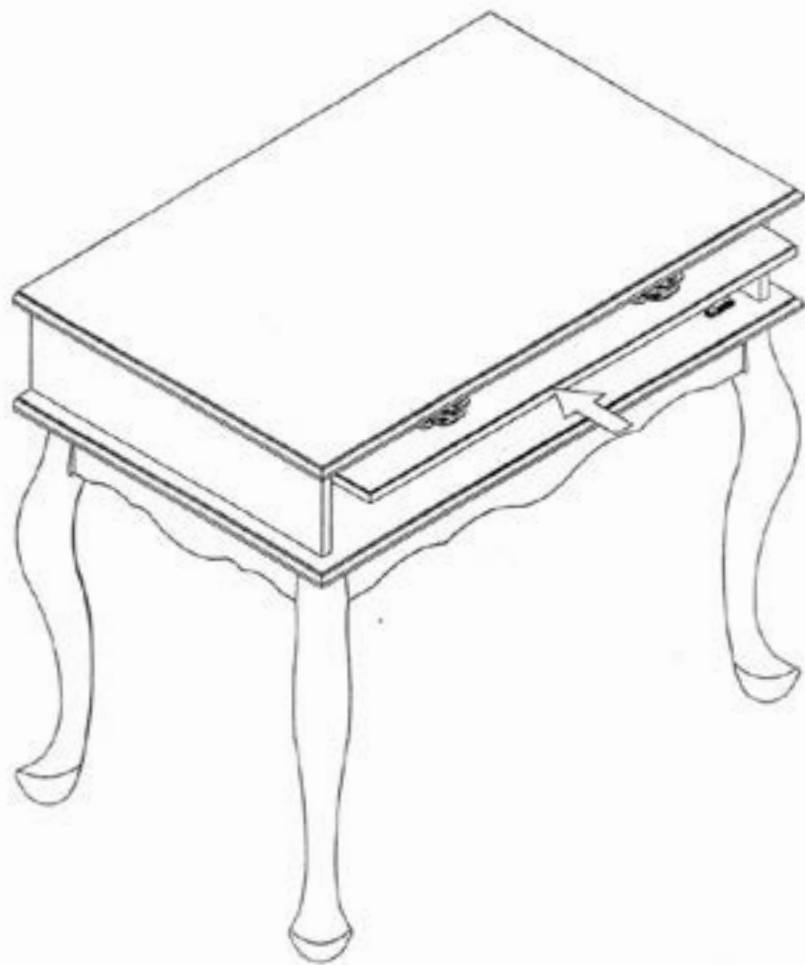
STEP 5



STEP 6



STEP 7



STEP 8

