

NOTE.... This product has been engineered for easy assembly and constructed for durability.

Please take time to read through and follow assembly instructions.

Description

CARVED CURIO CABINET




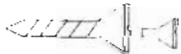
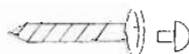

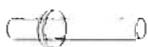
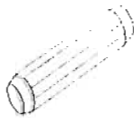


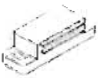


Style No.

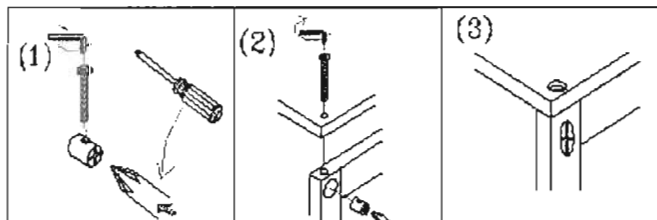
BE0865 A/B
BE0864 A/B

COLOR

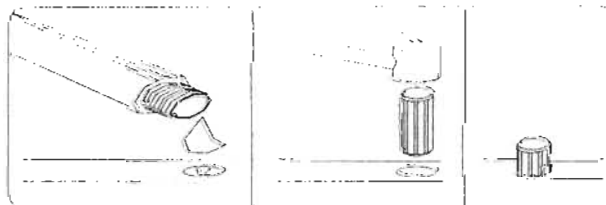
IVORY/GOLD
CHERRY

HARDWARE LIST

<p>(1)</p>  <p>1-1/2"L</p>	<p>(2)</p> 	<p>(3)</p> 	<p>(4)</p>  <p>7/16"L</p>	<p>(5)</p>  <p>9/16"L</p>
<p>LARGE PHILLIP BOLT 12PCS</p>	<p>WASHER 8PCS</p>	<p>GLASS LATCH 16PCS</p>	<p>FLAT HEAD SHORT SCREW 16PCS</p>	<p>ROUND HEAD LONG SCREW 26 PCS</p>
<p>(6)</p> 	<p>(7)</p> 	<p>(8)</p> 	<p>(9)</p> 	<p>(10)</p>  <p>14/16"L</p>
<p>GLASS SUPPORT 4PCS</p>	<p>DOOR PLUG 4PCS</p>	<p>BIG WOOD DOWEL 8PCS</p>	<p>KNOB 2PCS</p>	<p>SMALL PHILLIP BOLT 2PCS</p>
<p>(11)</p> 	<p>(12)</p> 	<p>(13)</p> 		
<p>MAGNET 1PCS</p>	<p>PLASTIC WASHER 2PCS</p>	<p>SMALL WOOD DOWEL 4 PCS</p>		

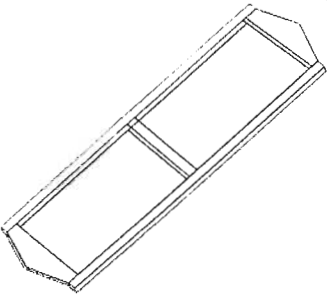
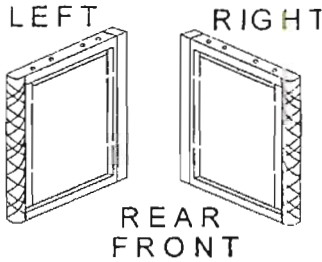
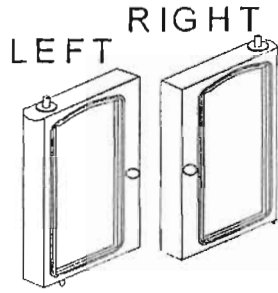
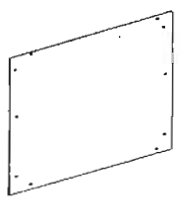
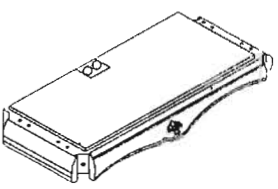
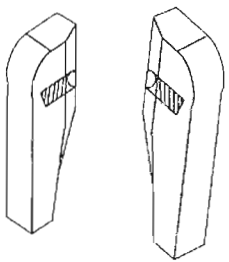



ADJUST BARREL NUT BY SCREW DRIVER TO LET HOLE STRAIGHT TO THE BOLT



APPLY GLUE 1/4 FULL INTO HOLES BEFORE WOOD DOWELL GOES INTO POSITION. PLEASE USE RUBBER-HEAD HAMMER ONLY WHEN NEEDED.

PARTS LIST

<p>(A)</p> 	<p>(B)</p> 	<p>(C)</p> 	
<p>TOP FRAME 1 PC (Back View)</p>	<p>SIDE FRAMES 2PCS</p>	<p>DOOR FRAMES 2PCS</p>	
<p>(D)</p> 	<p>(E)</p> 	<p>(F)</p> 	<p>(G)</p> 
<p>BACK PANEL 2 PCS</p>	<p>BOTTOM PANEL 1PCS</p>	<p>REAR LEG RIGHT LEFT 2PCS</p>	<p>FRONT LEG 2PCS</p>

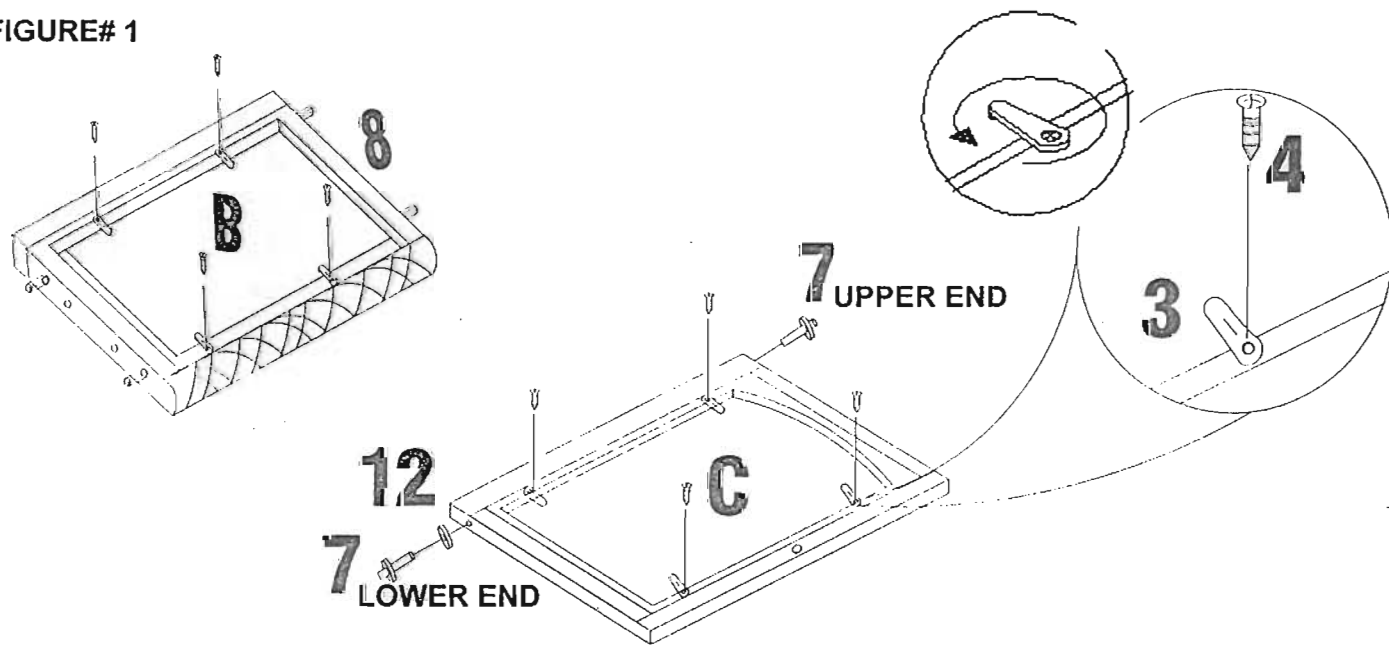
(H)	(J)	(K)	(L)
BACK MIRROR 2 PCS	DOOR GLASS 2 PCS	SIDE GLASS 2 PCS	TOP GLASS 2 PCS
(M)	(N)		
VERTICAL BACK RAIL 1PCS	GLASS SHELF 1PC		

ASSEMBLY INSTRUCTIONS

STEP 1A, Attach Glass Latch (3) to Side Frames (B) and Door Frames (C)

PLEASE INSERT FLAT HEAD SHORT SCREW (4) THROUGH GLASS LATCH (3) TO TIGHTEN TO PILOT HOLES ON INNER SIDE OF BOTH SIDE FRAMES (B), AND BOTH DOOR FRAMES (C), DO NOT OVER TIGHTEN THE FLAT HEAD SHORT SCREW (4). SEE FIG#1

FIGURE# 1



STEP 1B, Attach Door Plug (7) to position

Lower end OF BOTH DOOR FRAMES

PLEASE INSERT LONG END OF THE DOOR PLUG (7) THROUGH PLASTIC WASHER (12) AND GOES INTO HOLES SEE FIG#1, AND THEN

UPPER END OF BOTH DOOR FRAMES: INSERT LONG END OF THE DOOR PLUG (7) INTO HOLES SEE FIG#1

STEP 1C, ATTACH ALL WOOD DOWELS TO POSITION

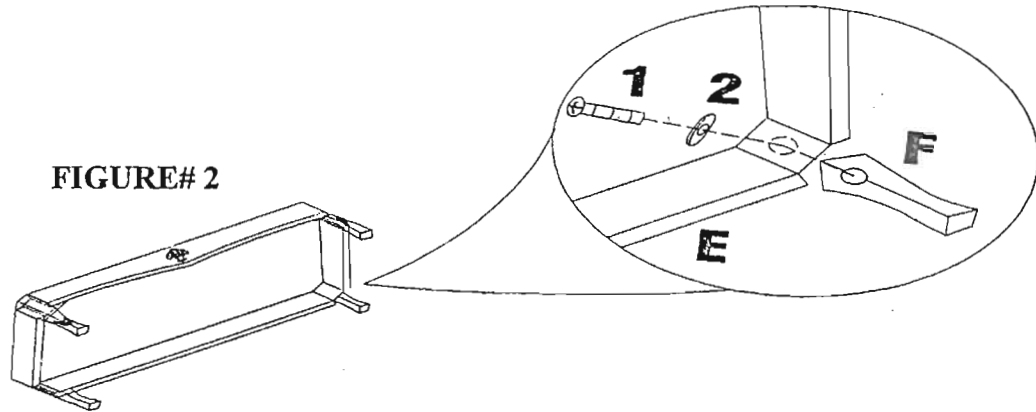
PLEASE APPLY GLUE AND INSERT WOOD DOWEL (8) OR (13) INTO HOLES ON FOLLOWING PARTS.

BOTH ENDS OF SIDE PANEL (B). USE WOOD DOWEL (8) SEE FIG#1

BOTH ENDS OF VERTICAL BACK RAIL (M). USE WOOD DOWEL (13) SEE FIG#3

STEP 2, Attach Plain Rear Legs (F) & Carved Front Legs(G) to Bottom Panel (E)

PLEASE INSERT THE LARGE PHILLIP BOLT(1) THROUGH WASHER (2) AND HOLE OF THE WOOD JOINT AT Bottom Panel (E) TO ADJUST and TIGHTEN TO NUTS IN Plain Rear Legs (F) and Carved Front Legs(G). SEE FIG#2



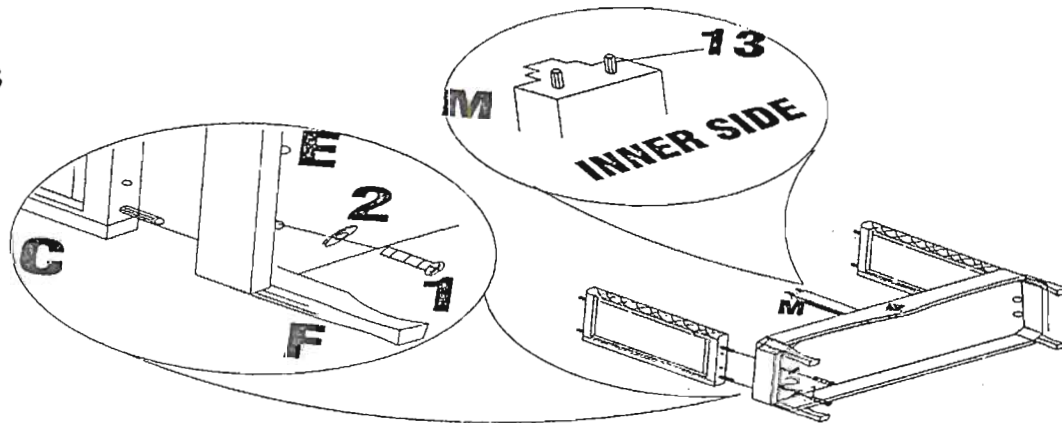
STEP 3A, Attach and Secure Side Frames (B) to Bottom Panel (E)

PLEASE INSERT THE WOOD DOWEL ON SIDE FRAME (B) INTO HOLES ON BOTTOM PANEL AND THEN PLEASE INSERT THE LARGE PHILLIP BOLT(1) THROUGH WASHER (2) AND HOLE ON BOTTOM PANEL(E) TO TIGHTEN TO PRE-INSERTED NUTS ON SIDE FRAME (B). SEE FIG# 3

STEP 3B, Attach Vertical Back Rail (M) & Door Frames(C) to Bottom Panel (E)

(grooves on Vertical Back Rail (M) should facing backward,)
PLEASE INSERT THE WOOD DOWELS ON ENDS OF VERTICAL BACK RAIL (M) INTO HOLES ON REAR END OF BOTTOM PANEL(E) SEE FIG# 3

FIGURE# 3



STEP 4A, Attach Top Frame (A) onto the unit.

FIRST, PLEASE STAND UP THE UNIT AND THEN

PLEASE TIGHTEN THE DOOR MAGNET(11) TO BOTTOM-SIDE AT FRONT END OF TOP FRAME, SEE FIG# 6

NEXT, PLEASE PUT TOP FRAME (A) ONTO POSITION AS SHOWN ON FIG#4, PLEASE LET EVERY WOOD DOWEL ON VERTICAL BACK RAIL (M), SIDE FRAME (B) GOES INTO HOLES ON BOTTOM SIDE OF TOP FRAME (A)

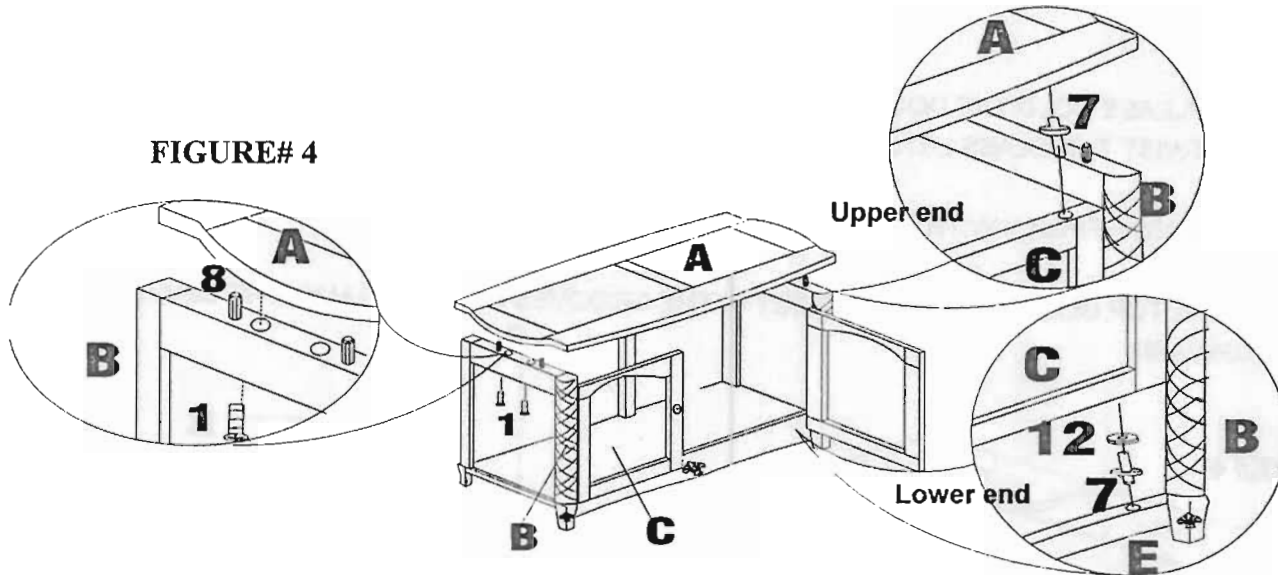
STEP 4B, Attach Door Frame (C) to the unit.

PLEASE INSERT **SHORT** End OF THE DOOR PLUG (7) at **LOWER** END OF BOTH DOOR FRAMES (C) INTO HOLES AT FRONT END OF **BOTTOM PANEL (E)** AND THEN LIFT THE TOP FRAME(A)SLIGHTLY.

TO LET **Short End** OF THE DOOR PLUG (7) AT **UPPER** END OF BOTH DOOR FRAMES GOES INTO HOLES ON BOTTOM SIDE OF **TOP FRAME (A)** SEE FIG# 4

STEP 4C, Secure Top Frame (A) to the unit.

PLEASE INSERT THE LARGE PHILLIP BOLT(1) THROUGH HOLES ON TOP-BAR OF SIDE FRAMES (B) TO SEMI-TIGHTEN TO PRE-INSERTED NUTS AT BOTTOM-SIDE OF TOP FRAME (A). **SEE FIG# 4**

**STEP 4D, Adjust and Level Grooves on BACK-SIDE of the Unit**

Please adjust the unit to **LEVEL** all grooves on

Bottom Panel (E), Top Frame (A), both Side Frames (B). Vertical Back Rail (M)

MEANWHILE TO ADJUST and TIGHTEN UP all hardwares from above steps. SEE FIG# 4

STEP 5, Attach Back Mirror (H) and Back Panel (D) to position.

(you may need a helper to LAY DOWN the cabinet on this step)

PLEASE LAY DOWN THE CABINET CAREFULLY ON A SOFT SURFACE TO LET THE BACK SIDE UPWARD AS SHOW ON FIG# 5

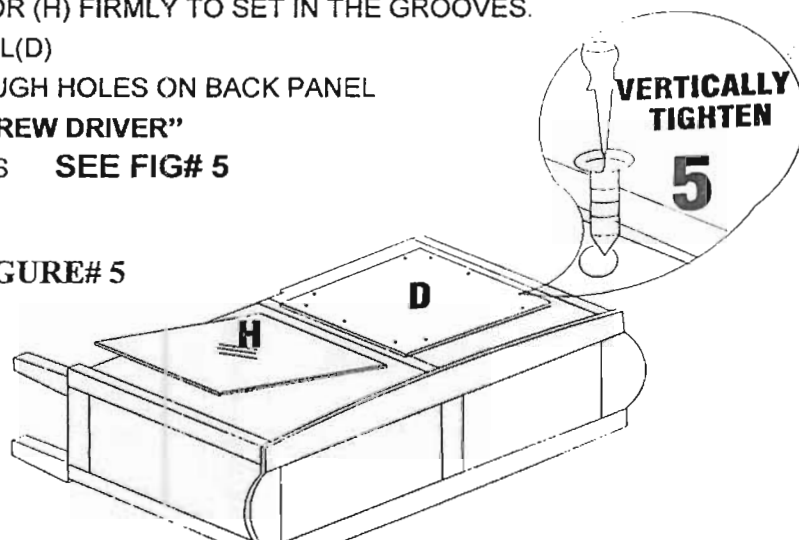
AND THEN PLEASE HOLD THE BACK MIRROR (H) FIRMLY TO SET IN THE GROOVES.

NEXT, COVER THE MIRROR BY BACK PANEL(D)

PLEASE INSERT WOOD SCREWS (5) THROUGH HOLES ON BACK PANEL

AND PLEASE USE ONLY "NON POWER SCREW DRIVER"

VERTICALLY to tighten TO FRAMES SEE FIG# 5

FIGURE# 5

**STEP 6, Attach Door Knob (9), Side Glass (K) and Door Glass (J) to position.
(you may need a helper to stand the cabinet UPWARD on this step)**

PLEASE STAND THE CABINET UPWARD CAREFULLY, THEN ATTACH DOOR KNOB (9) TO THE DOORS BY SMALL PHILLIP BOLT (10) THROUGH DOOR FRAME. **SEE FIG# 6**

HOW TO ATTACH GLASSES—

PLEASE INSERT GLASS SUPPORT (6) TO BOTH SIDE FRAMES (B).

1ST START FROM SIDE GLASS--- WIDE OPEN BOTH DOOR FRAMES, NEXT, PLEASE HOLD THE SIDE GLASS (K) FIRMLY TO SET IN THE GROOVES ON **inner-side of** SIDE FRAME, THEN TWIST THE GLASS LATCH (3) TO SECURE IT IN POSITION..

2ND DOOR GLASS--- PLEASE HOLD THE DOOR GLASS (J) FIRMLY TO SET IN THE GROOVES ON **inner-side of** DOOR FRAME, THEN TWIST THE GLASS LATCH (3) TO SECURE IT IN POSITION.. **SEE FIG# 6**

3RD HOLD SHELF GLASS(N) FIRMLY WITH AN ANGLE TO SET ONTO GLASS SUPPORT (6)

4TH PLEASE HOLD THE TOP GLASS (L) FIRMLY TO SET IN THE GROOVES ON TOP FRAME, THE BEVEL SIDE SHOULD FACING UPWARD.

