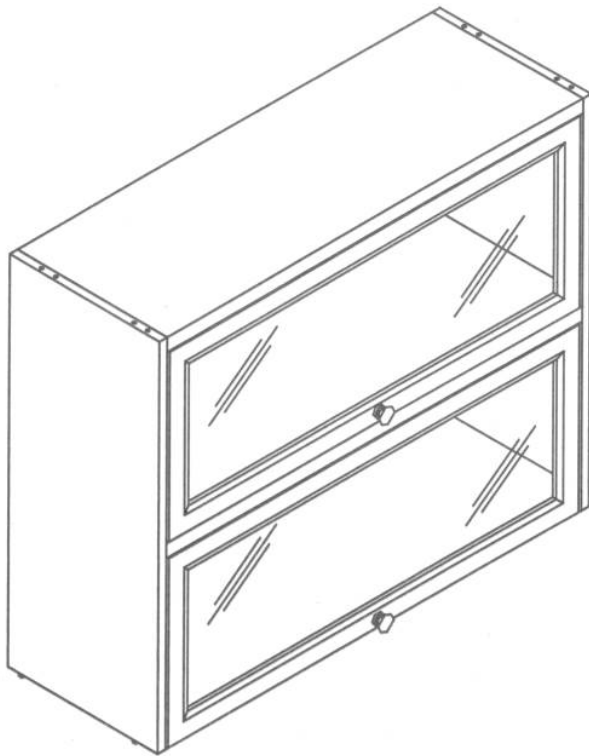


# TOUCH OF CLASS

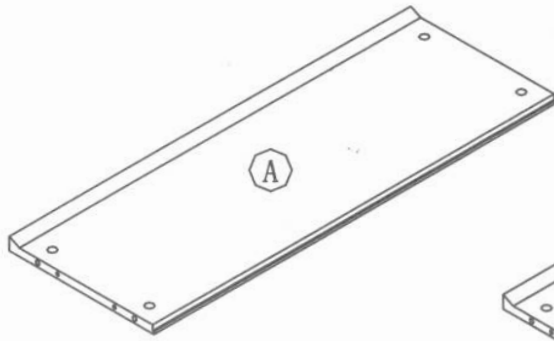
## AUBRIE BOOKCASE UNIT



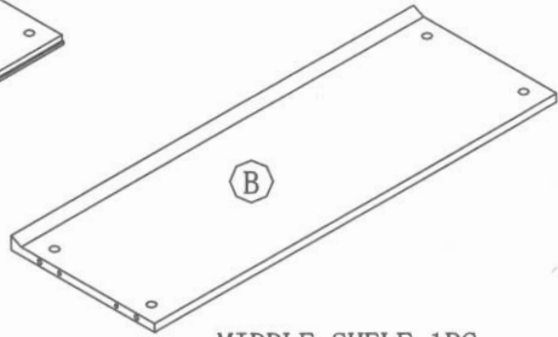
### BARRISTER CASE

- GLASS DOOR – #2718 (OAK),**
- #3718 (WHITEWASH),**
- #4718 (MAHOGANY)**
- #5718(BLACK)**
- #6718(OAK)**

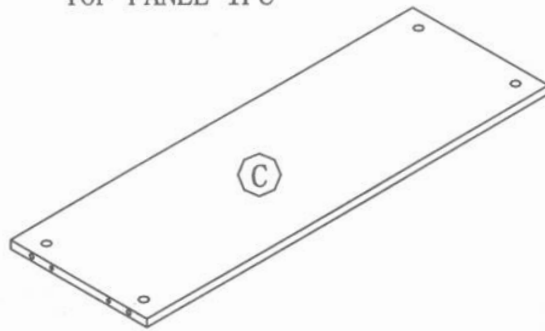
**PARTS LIST**



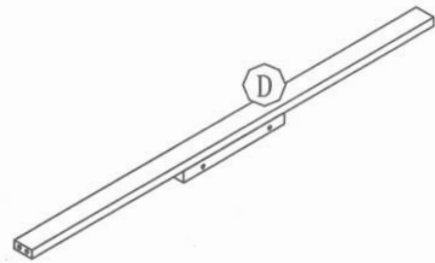
TOP PANEL 1PC



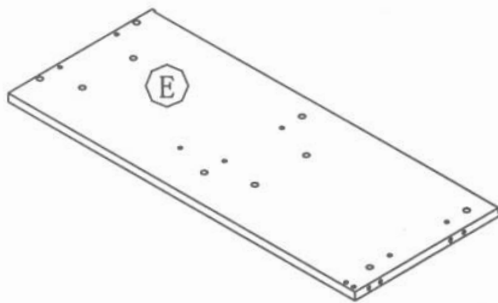
MIDDLE SHELF 1PC



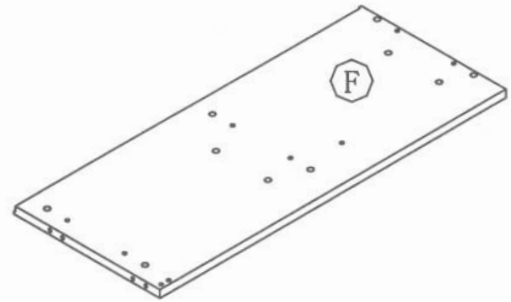
BOTTOM PANEL 1PC



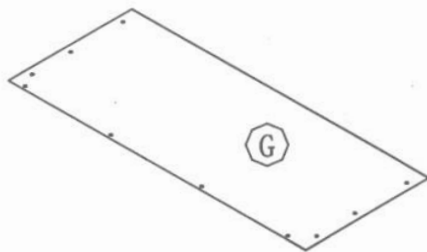
CROSS BRACE 1PC



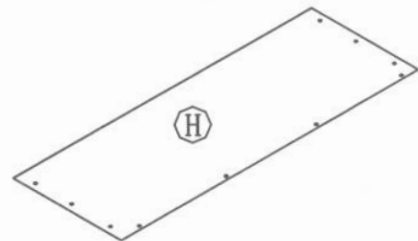
LEFT SIDE PANEL 1PC



RIGHT SIDE PANEL 1PC



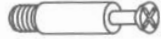
TOP BACK PANEL 1PC



BOTTOM BACK PANEL 1PC



J SMALL WOOD DOWEL 16PCS



K CAM LOCK SCREW 12PCS



L CAM LOCK 12PCS



M 1/2" ROUND HEAD SCREW 23PCS



N 1/2" FLAT HEAD SCREW 8PCS



O 3/4" FLAT WOOD SCREW 10PCS



P PHILLIPS HEAD SCREW 2PCS



Q KNOB 2PCS



R TRACK 4PCS



X "L" WRENCH 1PC



DOOR 2PCS



S PIN 2PCS



T BIG WOOD DOWEL 4PCS



U HOOK 4PCS



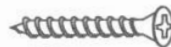
V FOOT 4PCS



W PLUG 8PCS



Z WASHER 2PCS



a 1-1/4" FLAT WOOD SCREW 1PC



Y GLUE 1PC



d MOUNTING SCREW 1PC

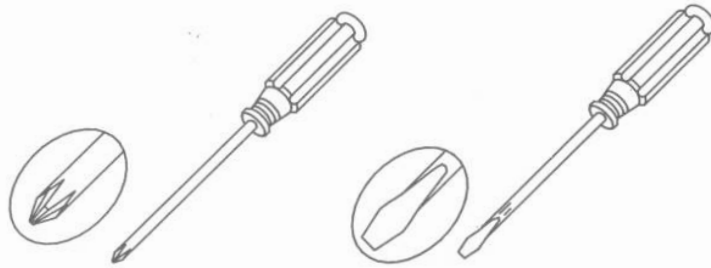


b NYLON STRAP 1PC

<u>LETTER KEY</u>	<u>DESC</u>	<u>Q'TY</u>
A	TOP	1
B	MIDDLE SHELF	1
C	BOTTOM	1
D	CROSS BRACE	1
E	LEFT SIDE PANEL	1
F	RIGHT SIDE PANEL	1
G	TOP BACK PANEL	1
H	BOTTOM BACK PANEL	1
I	DOOR PANEL	2
J	SMALL WOOD DOWEL	16
K	CAM LOCK SCREW	12
L	CAM LOCK	12
M	ROUND HEAD WOOD SCREW	23
N	1/2" FLAT HEAD WOOD SCREW	8
O	3/4" FLAT HEAD WOOD SCREW	10
P	PHILLIPS HEAD SCREW	2
Q	KNOB	2
R	TRACK	4
S	PIN	2
T	LARGE WOOD DOWEL	4
U	HOOK	4
V	FOOT	4
W	WOOD PLUG	8
X	"L" WRENCH	1
Y	GLUE	1
Z	WASHER	2
a	1-1/2" FLAT WOOD SCREW	1
b	NYLON STRAP	1
d	MOUNTING SCREW	1

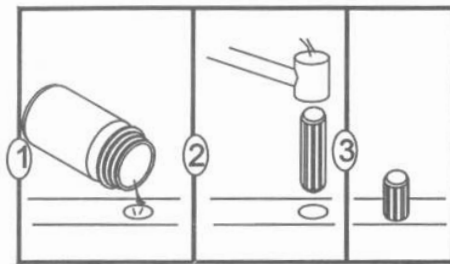
# ASSEMBLY INSTRUCTIONS

## ASSEMBLY TOOLS REQUIRED

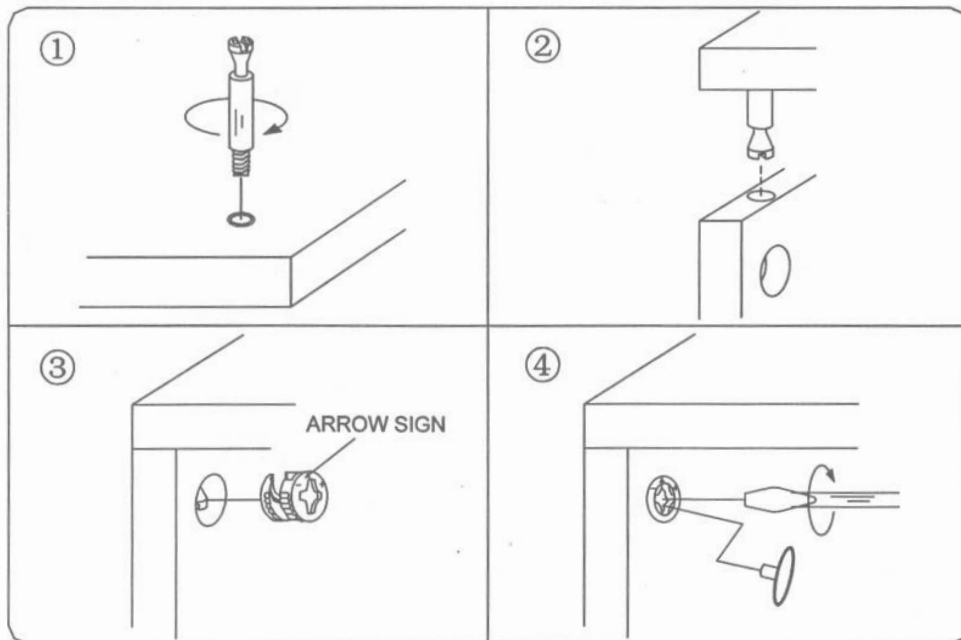


## WOOD DOWEL INSTALLATION PROCEDURE:

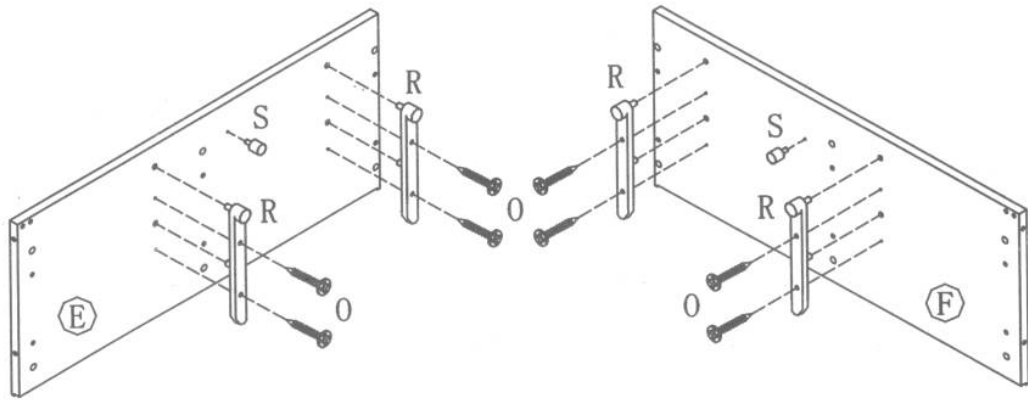
- (1). FILL HOLE 1/4 FULL OF GLUE.
- (2). GENTLY TAP DOWEL INTO HOLE WITH RUBBER Mallet. DO NOT USE HAMMER.
- (3). WIPE AWAY EXCESS GLUE.



## HIDDEN CONNECTOR ..... ASSEMBLY TECHNIQUES

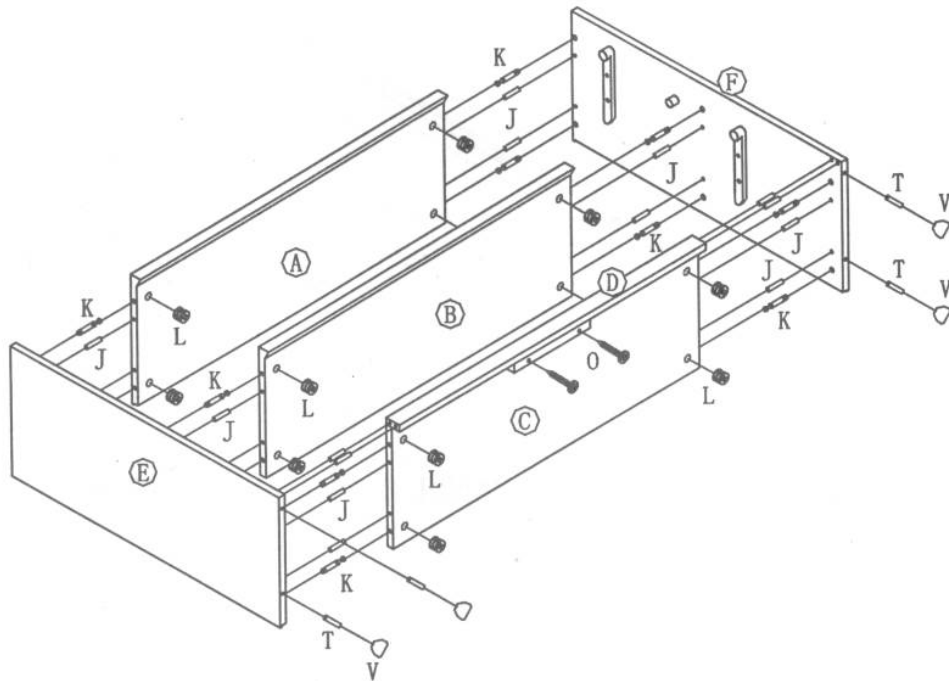


**STEP 1**



1. ATTACH TRACKS (R) TO SIDE PANELS (E & F) WITH 3/4" FLAT WOOD SCREWS (O).
2. SCREW PINS (S) ONTO THREADED HOLES IN SIDE PANELS (E & F).

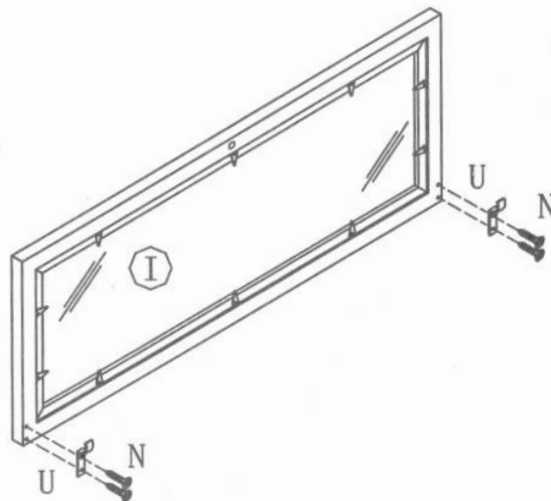
**STEP 2**



3. SCREW CAM LOCK SCREWS (K) ONTO THREADED HOLES IN SIDE PANELS (E & F). INSERT SMALL WOOD DOWELS (J) INTO PREDRILLED HOLES IN SIDE PANELS (E & F).

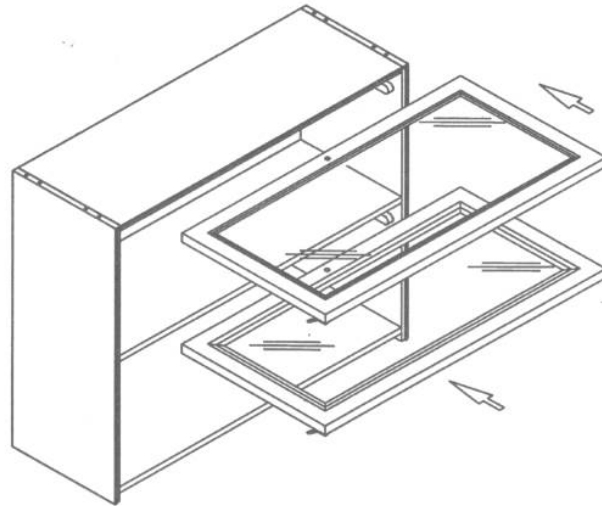
4. ATTACH TOP (A), MIDDLE SHELF (B) AND BOTTOM (C) TO LEFT SIDE PANEL (E) BY INSERTING CAM LOCKS (L) INTO PREDRILLED HOLES IN TOP (A), MIDDLE SHELF (B) AND BOTTOM (C) AND TIGHTEN CLOCKWISE. (SEE CAM LOCK ASSEMBLY DETAILS).
5. ATTACH CROSS BRACE (D) TO LEFT SIDE PANEL (E) WITH SMALL WOOD DOWELS (J).
6. REPEAT STEP (4), (5) TO ATTACH TOP (A), MIDDLE SHELF (B), BOTTOM (C) AND CROSS BRACE (D) TO RIGHT SIDE PANEL (F).
7. SECURE CROSS BRACE (D) TO BOTTOM (C) WITH 3/4" FLAT WOOD SCREWS (O).
8. APPLY APPROPRIATE GLUE (Y) TO LARGE WOOD DOWELS (T).
9. ATTACH FEET (V) TO SIDE PANELS (E & F) WITH LARGE WOOD DOWELS (T).

**STEP 3**



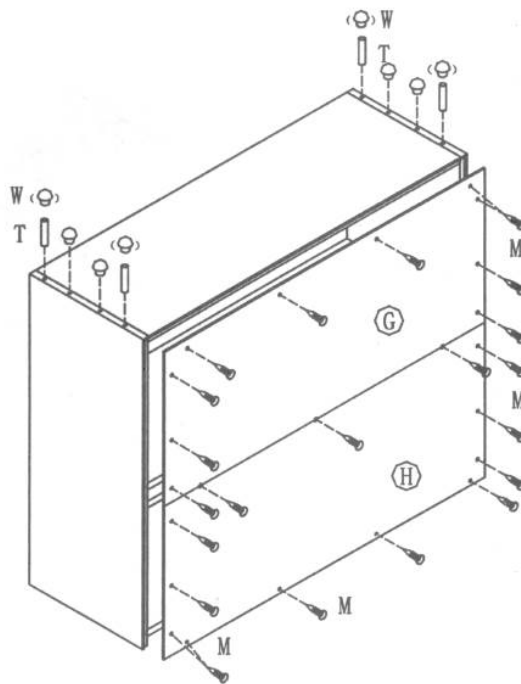
10. ATTACH HOOKS (U) TO DOOR PANEL (I) WITH 1/2" FLAT HEAD WOOD SCREWS (N).

**STEP 4**



11. INSERT DOOR PANELS (I) INTO ASSEMBLY FROM BACK.

**STEP 5**

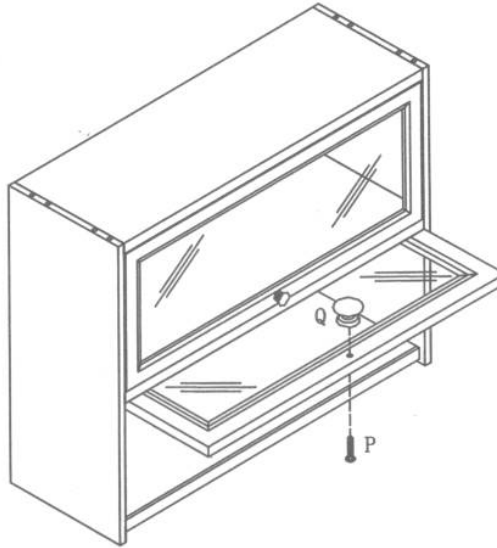


12. ATTACH BACK PANELS (G & H) TO TOP (A), SIDES (E & F), MIDDLE SHELF (B) AND BOTTOM (C) WITH ROUND WOOD SCREWS (M).

13. USE LARGE WOOD DOWELS (T) TO STACK BARRISTER CASES.

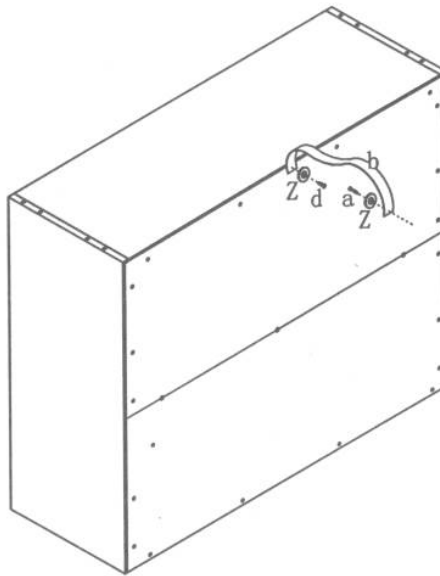
14. COVER HOLES WITH WOOD PLUGS (W).

**STEP 6**



15. ATTACH KNOBS (Q) TO DOOR PANELS (I) WITH PHILLIPS HEAD SCREWS (P).

**STEP 7**



16. ATTACH NYLON STRAP (b) TO BOOKCASE WITH WASHER (Z) AND MOUNTING SCREW (d). ATTACH NYLON STRAP (b) TO WALL WITH WASHER (Z) AND 1-1/4" FLAT WOOD SCREW (a).

TO ORDER REPLACEMENT PARTS, PLEASE INDICATE ITEM#, PARTS LETTER AND QUANTITY REQUIRED MAIL TO: PASSPORT FURNITURE INC., PARTS DEPARTMENT, P.O. BOX 4750, ROANOKE, VA 24015 OR VISIT OUR PARTS WEBSITE AT: [www.passportfurniture.com/parts](http://www.passportfurniture.com/parts)