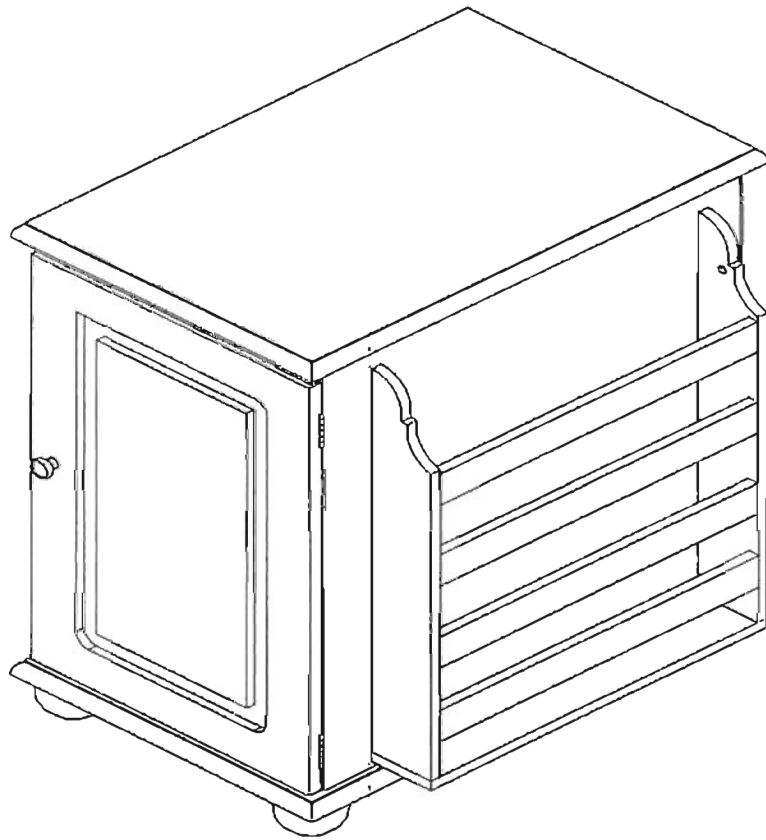
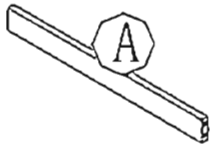


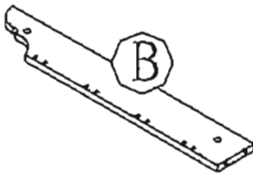
Touch of Class Magazine Table



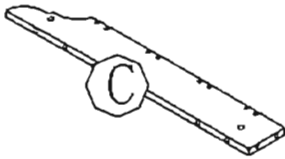
PARTS LIST



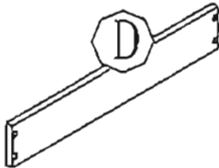
BASKET SLAT 4PCS



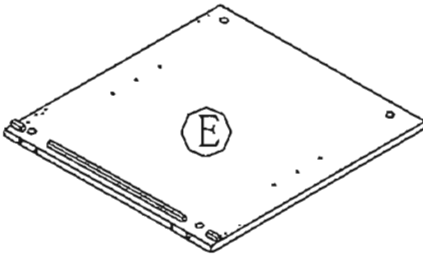
BASKET FRONT PANEL 1PC



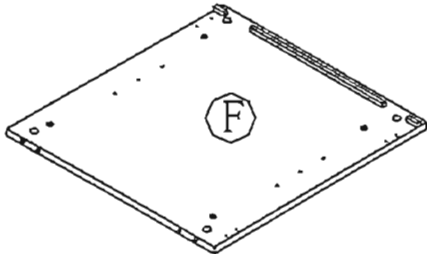
BASKET BACK PANEL 1PC



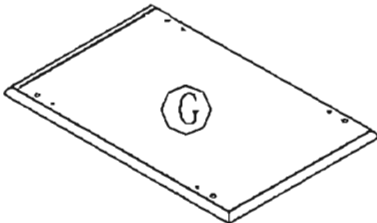
BASKET BOTTOM
PANEL. 1PC



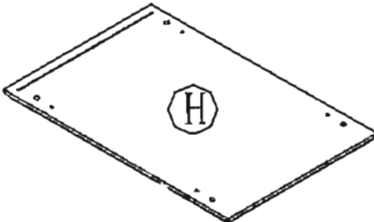
LEFT SIDE PANEL 1PC



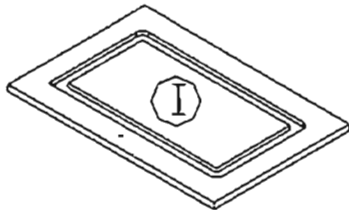
RIGHT SIDE PANEL 1PC



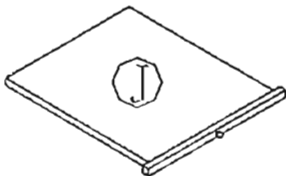
BOTTOM PANEL 1PC



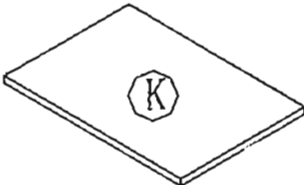
TOP PANEL 1PC



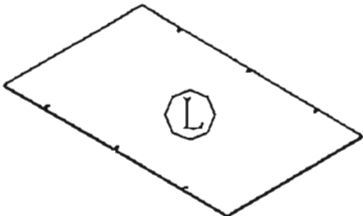
DOOR 1PC



SLIDE PANEL 1PC



SHELF 1PC

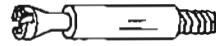


BACK PANEL 1PC

Parts List



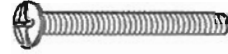
a. WOOD DOWEL 28PCS



b. CAM LOCK SCREW 8PCS



c. CAM LOCK 8PCS



d. LONG PHILLIPS HEAD SCREW 4PCS



e. "T" NUT 4PCS



f. SHORT PHILLIPS HEAD SCREW 1PC



g. KNOB 1PC



h. 1/2" ROUND HEAD SCREW 6PCS



i. 1/2" FLAT HEAD SCREW 10PCS



j. PIN 4PCS



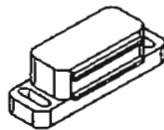
k. LEG 4PCS



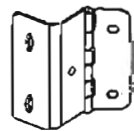
o. 1" FLAT HEAD SCREW 4PCS



p. 5/8" ROUND HEAD SCREW 2PCS



q. MAGNET 1PC



r. HINGE 2PCS

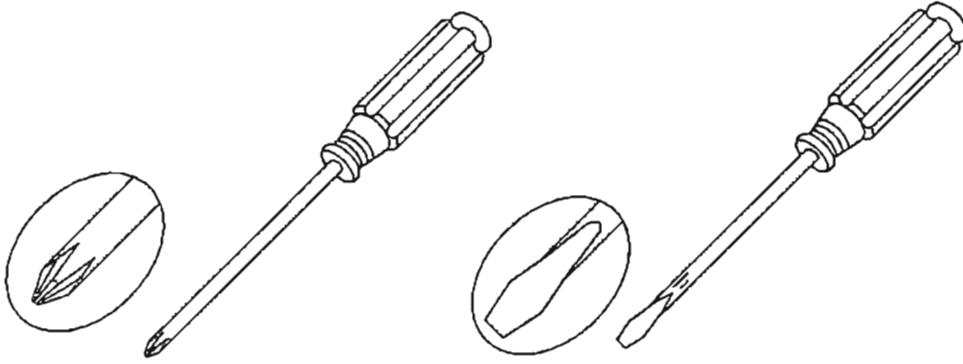


s. GLUE 1PC



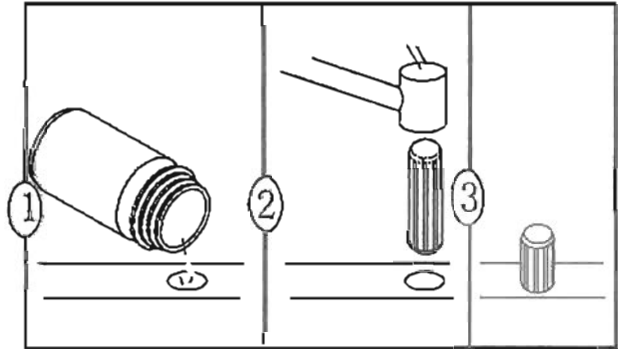
t. "L" WRENCH 1PC

ASSEMBLY TOOLS REQUIRED



WOOD DOWEL INSTALLATION PROCEDURE:

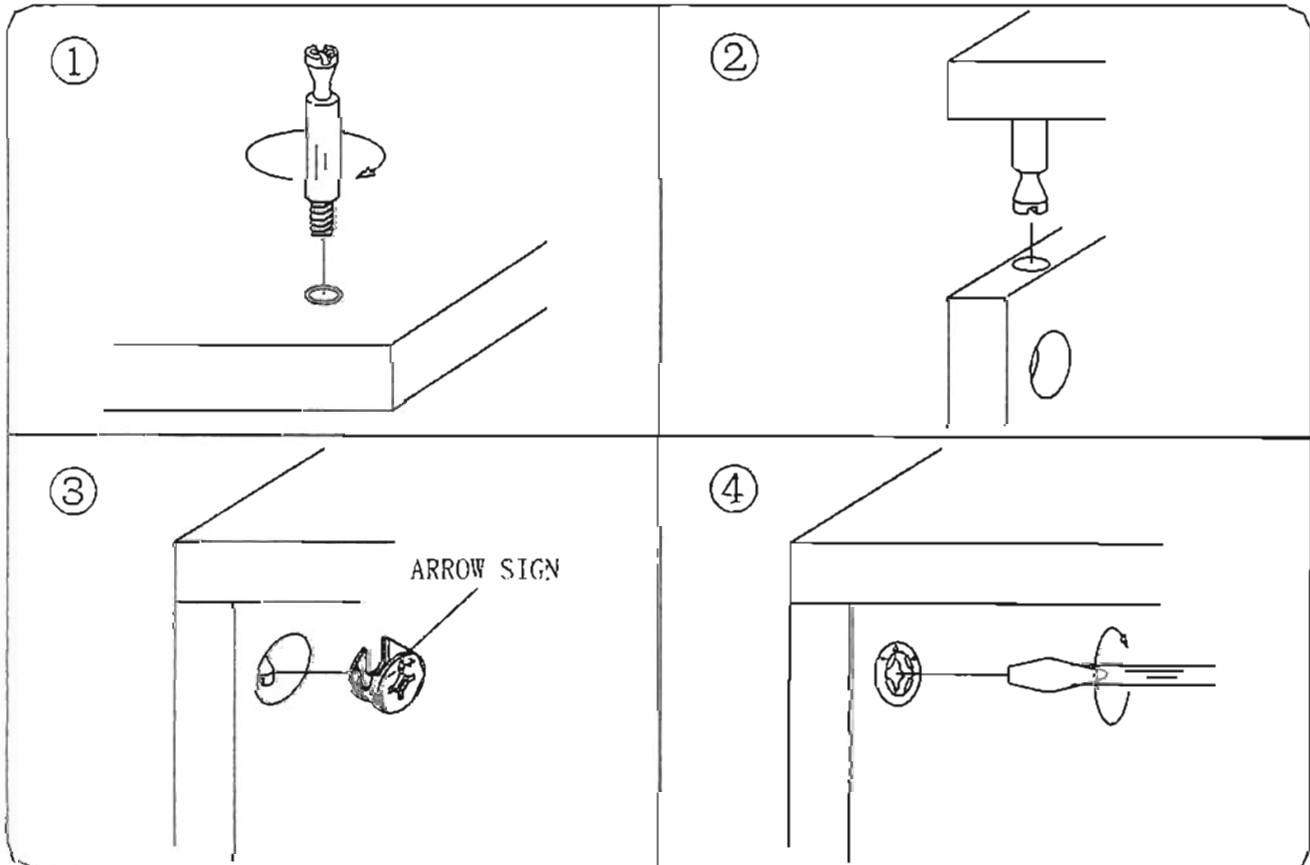
- (1). FILL HOLE 1/4 FULL OF GLUE.
- (2). GENTLY TAP DOWEL INTO HOLE WITH RUBBER Mallet.
DO NOT USE HAMMER.
- (3). WIPE AWAY EXCESS GLUE.



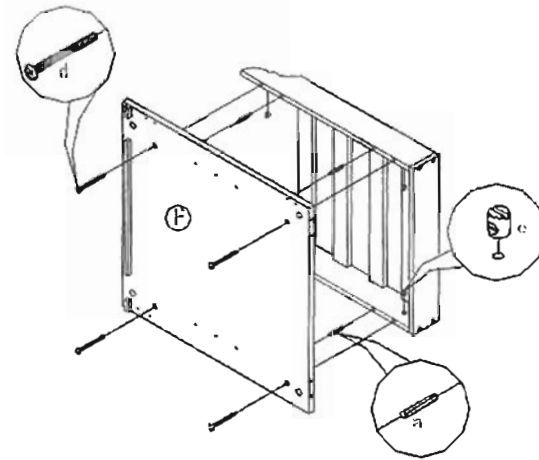
HIDDEN CONNECTOR

.....

ASSEMBLY TECHNIQUES

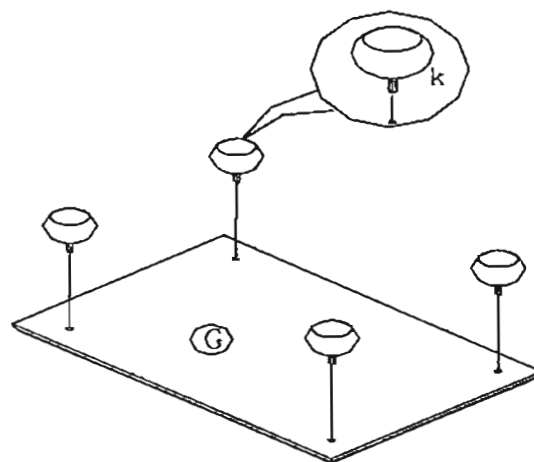


STEP 3



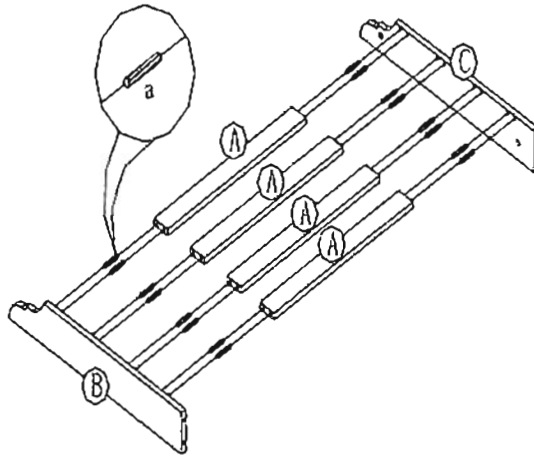
3. ATTACH BASKET FRONT & BACK PANEL (B & C) TO RIGHT SIDE PANEL (F) WITH WOOD DOWELS (a), T-NUTS (e) AND LONG PHILLIP HEAD SCREWS (d).

STEP 4



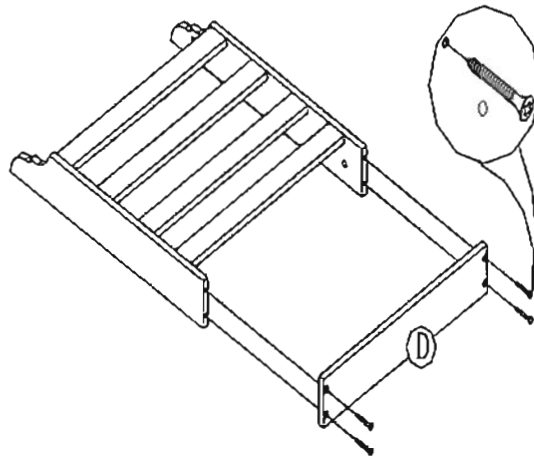
4. SCREW LEGS (k) ONTO BOTTOM PANEL (G) AND TIGHTEN.

STEP 1



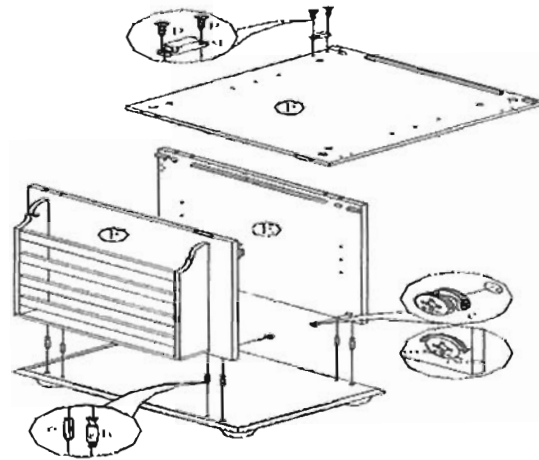
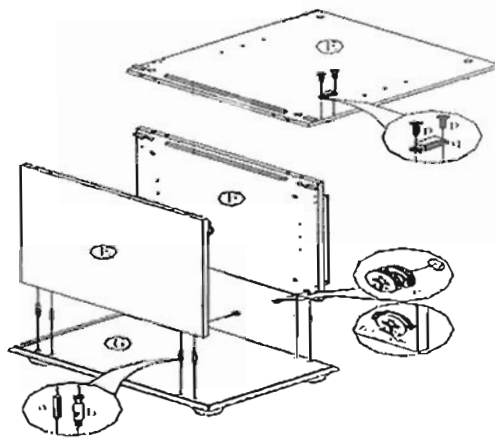
1. ATTACH BASKET SLATS (A) TO BASKET FRONT PANEL (B) AND BACK PANEL (C) WITH WOOD DOWELS (a).

STEP 2



2. ATTACH BASKET FRONT PANEL (A) AND BACK PANEL (C) TO BASKET BOTTOM PANEL (D) WITH 1" FLAT HEAD SCREWS (o)

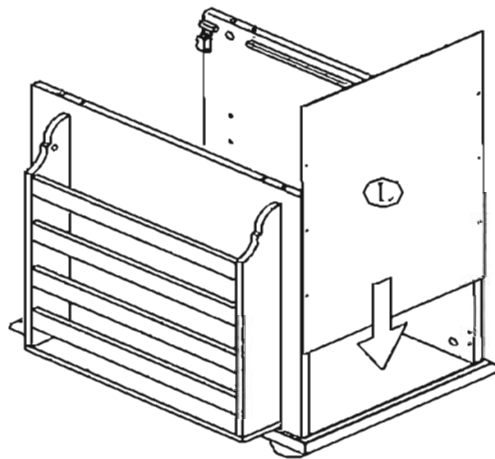
STEP 5



5. INSERT WOOD DOWELS INTO PREDRILLED HOLES IN BOTTOM PANEL (G).
SCREW CAM LOCK SCREWS (b) INTO THREADED INSERTS IN BOTTOM PANEL (G).
6. ATTACH SIDE PANELS (E, F) TO BOTTOM PANEL (G) BY INSERTING CAM LOCK (c) INTO PREDRILLED HOLES IN SIDE PANELS (E & F) AND TIGHTEN CLOCKWISE.
7. ATTACH MAGNET (q) TO LEFT SIDE PANEL (E) OR RIGHT SIDE PANEL (F) WITH 5/8" ROUND HEAD SCREWS (p).
8. To get magazine rack on left side just switch panels E & F in Step 6.

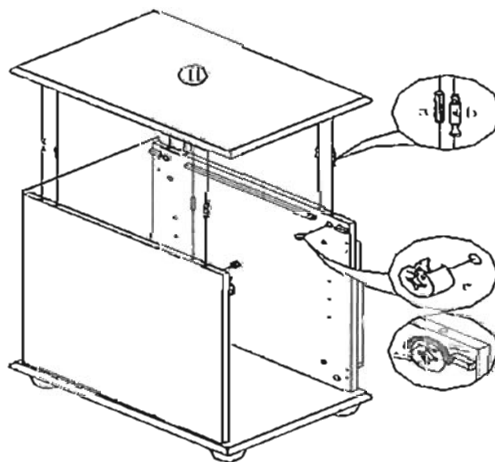
Note: If the magazine basket is intended to place on left side, attach the magnet (q) to right side panel (F). If the magazine basket is intended to place on right side, attach magnet (q) to left panel (E).

STEP 6



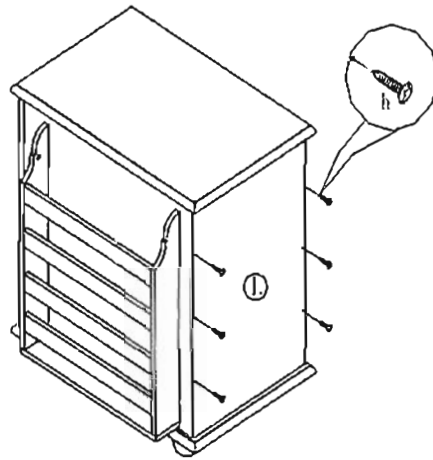
8. INSERT BACK PANEL (L) INTO GROOVE IN BOTTOM PANEL (G).

STEP 7



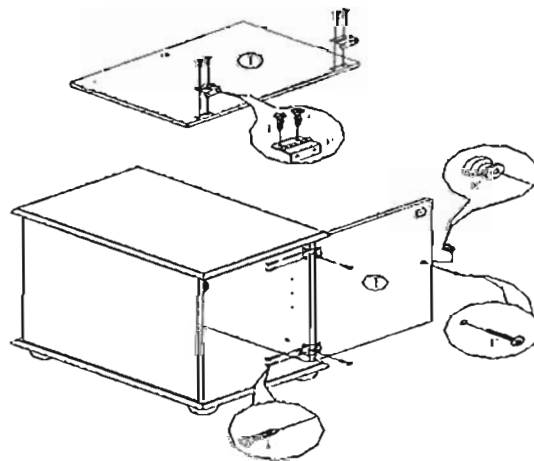
9. INSERT WOOD DOWELS (a) INTO PREDRILLED HOLES IN TOP PANEL (H). SCREW CAM LOCK SCREWS (b) INTO THREADED INSERTS IN TOP (H).
10. ATTACH TOP PANEL (H) TO SIDE PANELS (E, F) BY INSERTING GAM LOCKS (c) INTO PREDRILLED HOLES IN SIDE PANEL (E, F) AND TIGHTEN CLOCKWISE.

STEP 8



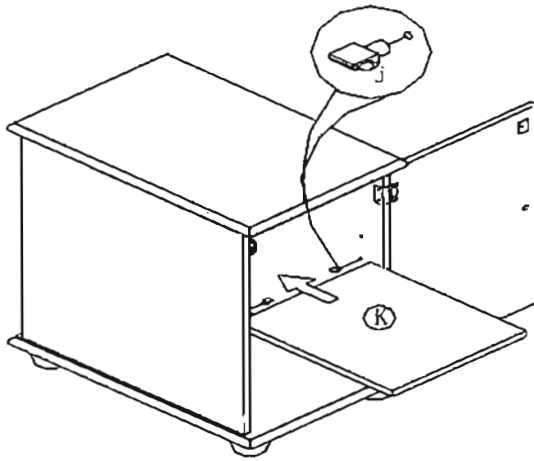
11. ATTACH BACK PANEL (L) TO SIDE PANELS (E, F) WITH 1/2" ROUND HEAD SCREWS (h).

STEP 9



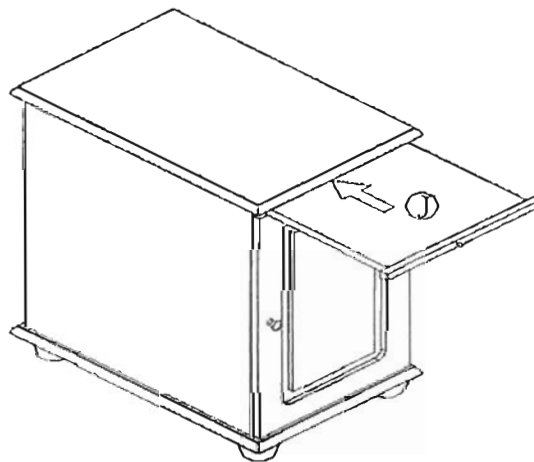
12. ATTACH HINGES (r) TO DOOR (I) WITH 1/2" FLAT HEAD SCREWS (i).
13. ATTACH DOOR (I) TO RIGHT SIDE PANEL (F) OR LEFT SIDE PANEL (E) WITH 1/2" FLAT HEAD SCREWS (i).
14. ATTACH DOOR KNOB (g) TO DOOR (I) WITH SHORT PHILLIPS HEAD SCREW (f).

Step 10



15. INSERT PINS (j) INTO PREDRILLED HOLES IN SIDE PANELS (E, F).
PLACE SHELF (K) ON PINS (j).

Step 11



16. INSERT SLIDE PANEL (J) INTO RAILS IN SIDE PANELS (E, F).