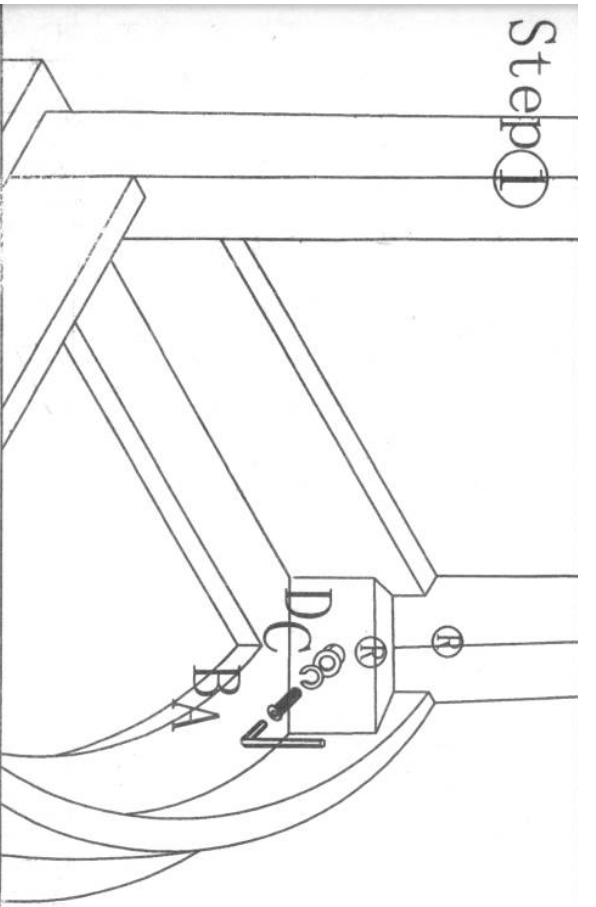
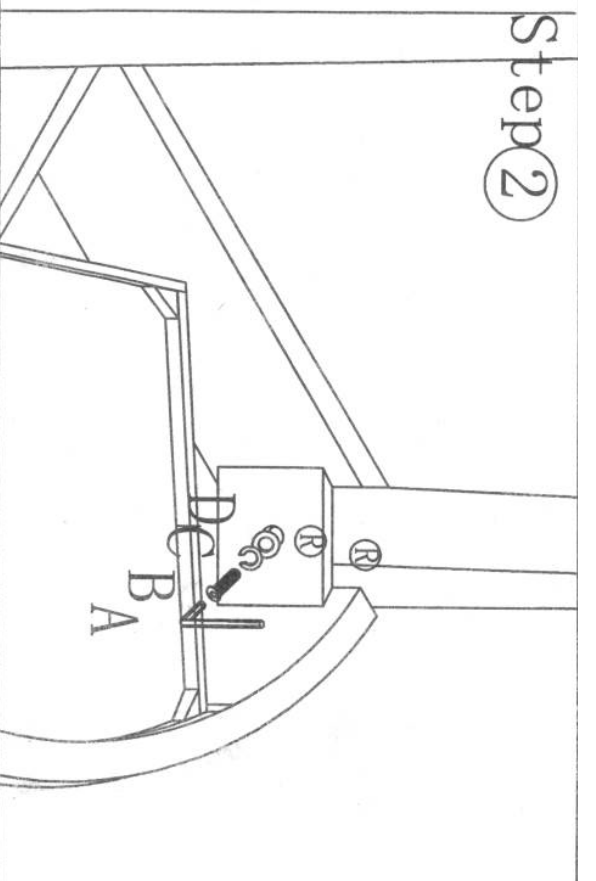


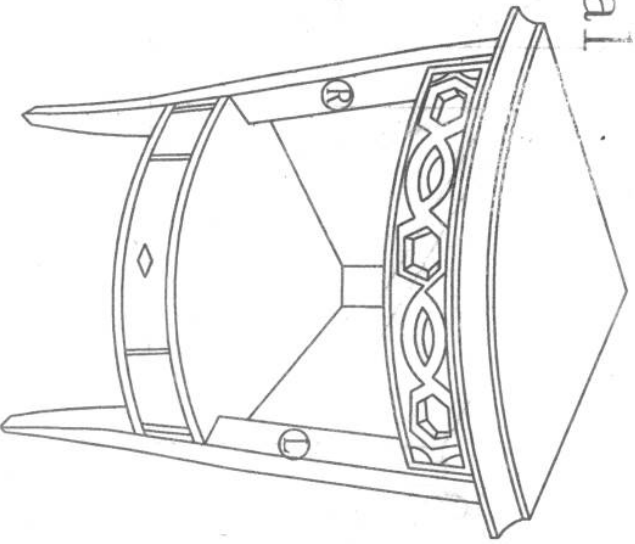
Step ①

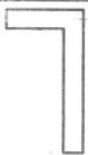
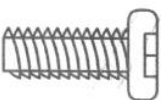




Step ②



Final



NO.	A	B	C	D
hardware				
QTY	1pc	6pcs	6pcs	6pcs
Size	5mm	$\frac{5}{16} * 2''$	$\frac{5}{16}$	$\frac{5}{16} * 19$