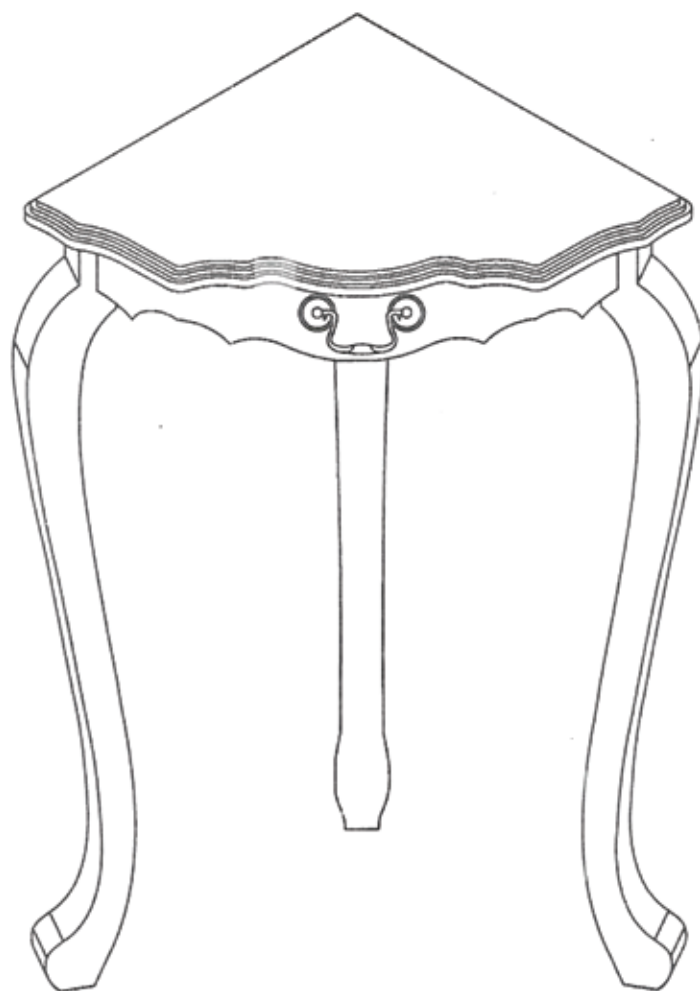


TOUCH OF CLASS CATALOG

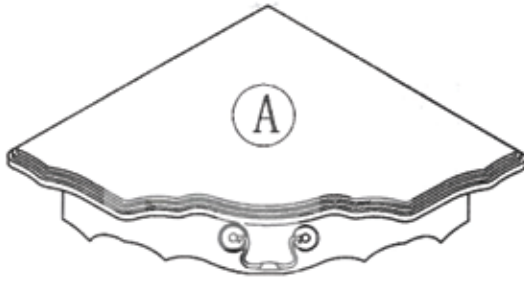
LYNDHURST CORNER TABLE

ITEM NO. :101203

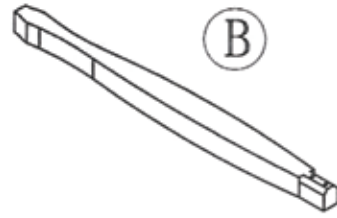
ASSEMBLY INSTRUCTIONS



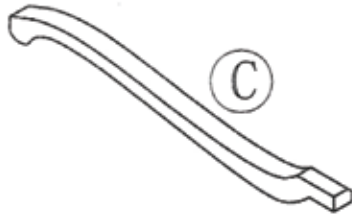
PART LIST:



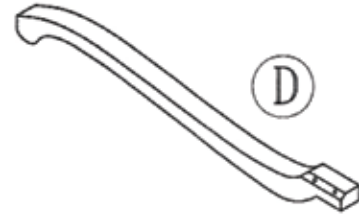
A. TOP: 1PC



B. BACK LEG: 1PC



C. LEFT LEG: 1PC



D. RIGHT LEG: 1PC

HARDWARE LIST:



a. WASHER 6PCS

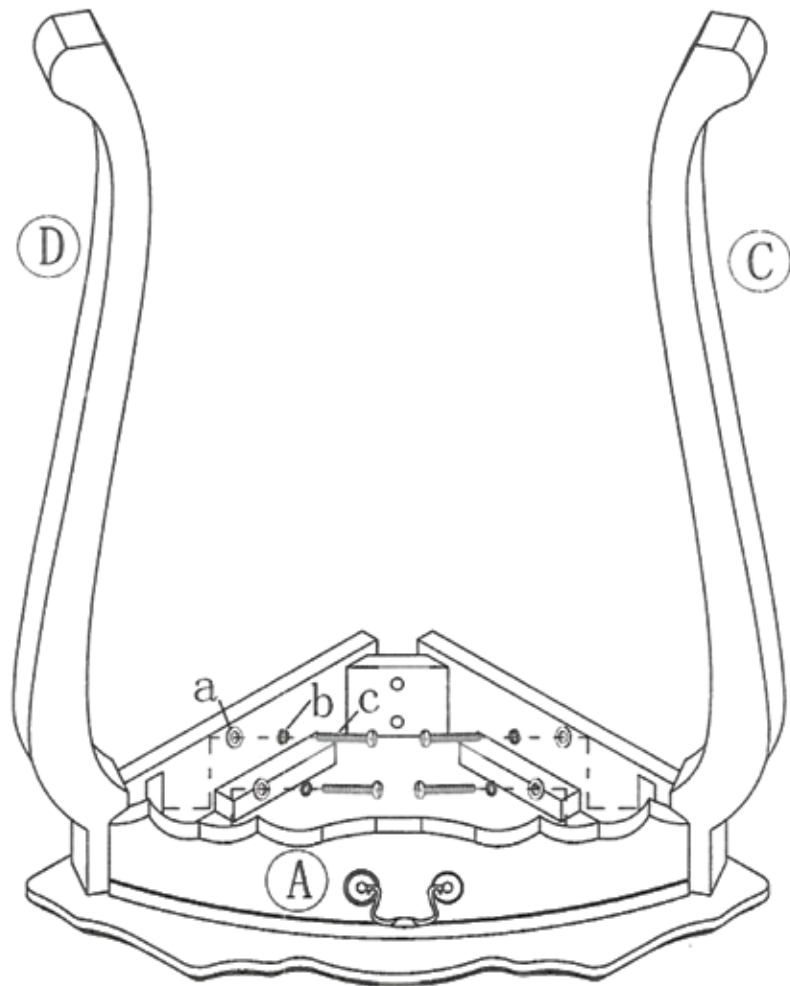


b. SPRING WASHER 6PCS



c. PHILLIPS HEAD BOLT 6PCS

STEP 1



STEP 2

