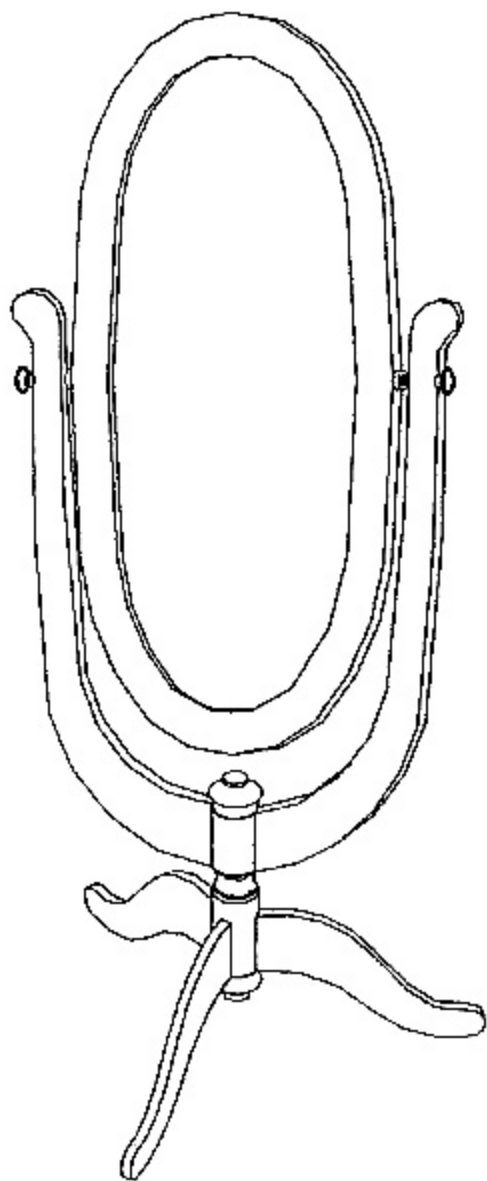




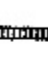

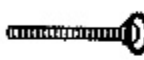



# VICTORIAN CHEVAL MIRROR



**ITEM# 6628**

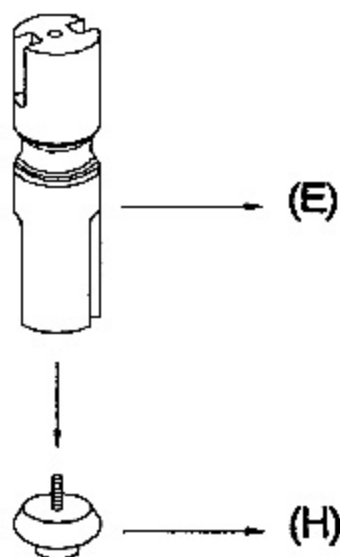
DESCRIPTION	QTY		DESCRIPTION	QTY			
A	MIRROR	1		C	SIDE SUPPORT	2	
				D	TOP WOOD FINIAL	1	
				E	BOTTOM POST	1	
				H	BOTTOM WOOD FINIAL	1	
B	LEG	3		F	BRASS RING BOLT	2	
				G	BRASS WASHER	4	

## PARTS LIST

<u>LETTER</u>	<u>DESCP</u>	<u>Q'TY</u>
A	MIRROR	1
B	LEG	3
C	SIDE POST	2
D	TOP FINIAL	1
E	BOTTOM POST	1
F	RING SCREW	1
G	BRASS WASHER	4
H	BOTTOM FINIAL	1

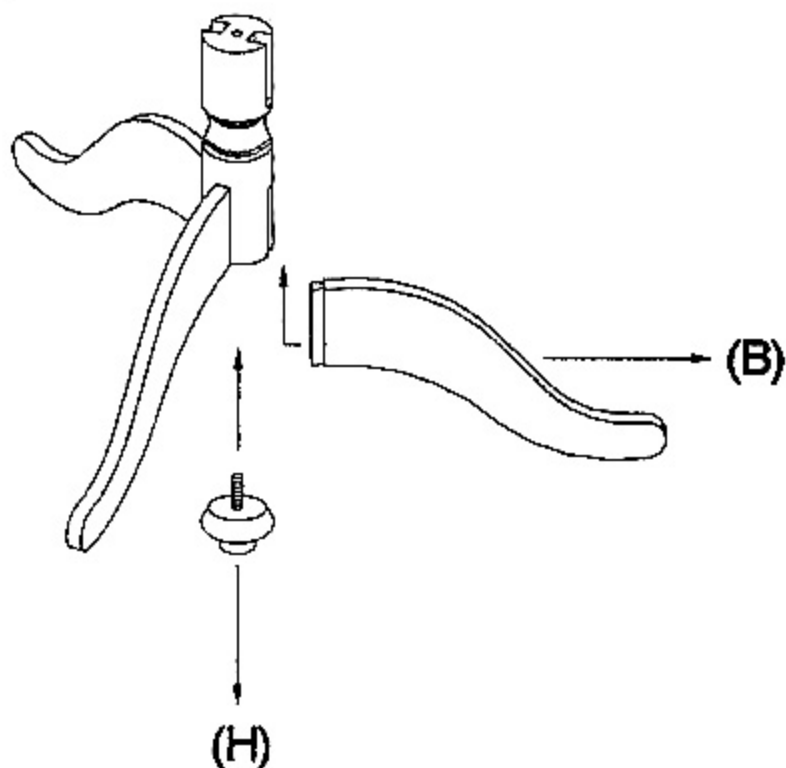
## ASSEMBLY INSTRUCTIONS

### STEP 1.



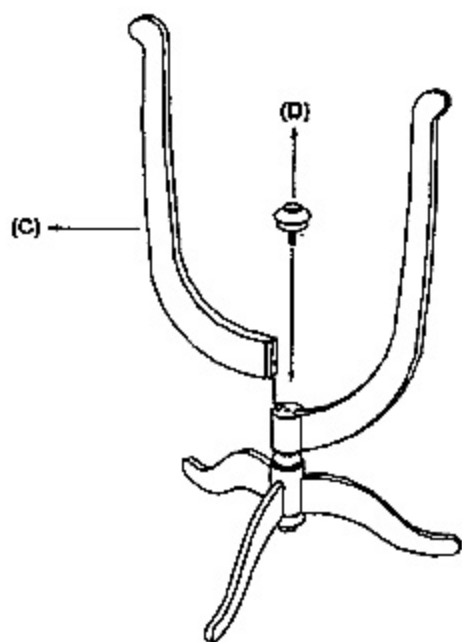
1. REMOVE BOTTOM FINIAL (H) FROM BOTTOM POST (E).

### STEP 2.



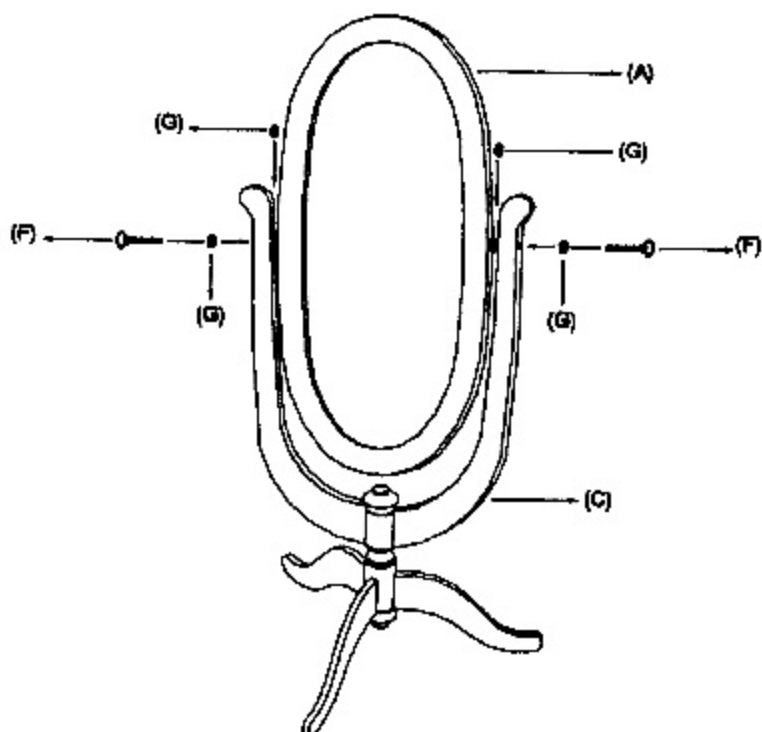
2. INSERT LEGS (B) INTO SLOTS IN BOTTOM POST (E).
3. SCREW BOTTOM FINIAL (H) ONTO BOTTOM POST (E) AND TIGHTEN.

**STEP 3.**



4. INSERT SIDE POST (C) INTO SLOTS IN BOTTOM POST (E).
5. SCREW TOP FINIAL (D) ONTO BOTTOM POST (E) AND TIGHTEN.

**STEP 4.**



6. ATTACH MIRROR (A) TO SIDE POSTS (C) BY INSERTING RING SCREWS (F) THROUGH BRASS WASHERS (G), SIDE POSTS (C), BRASS WASHERS (G) INTO MIRROR FRAME (A) AND TIGHTEN.