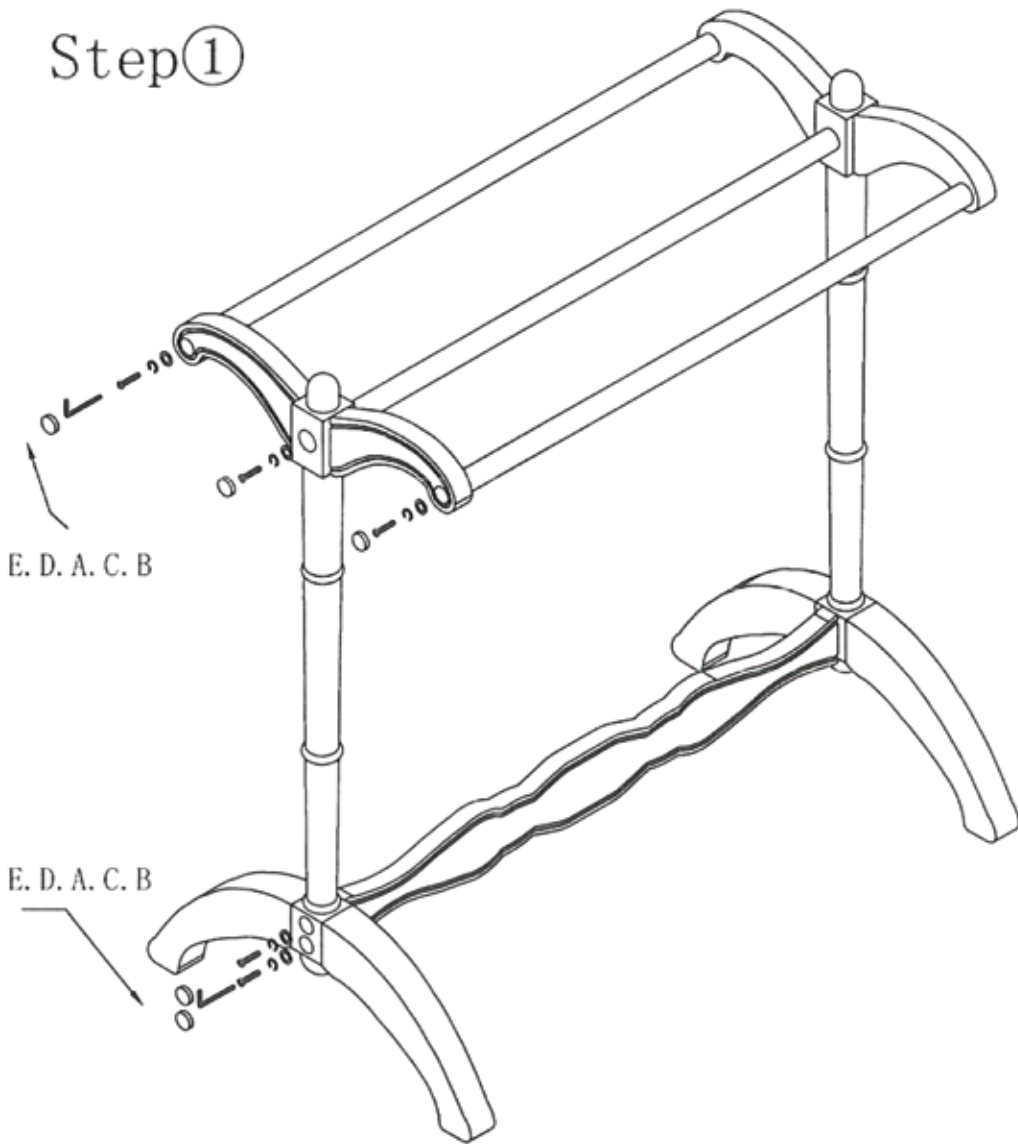
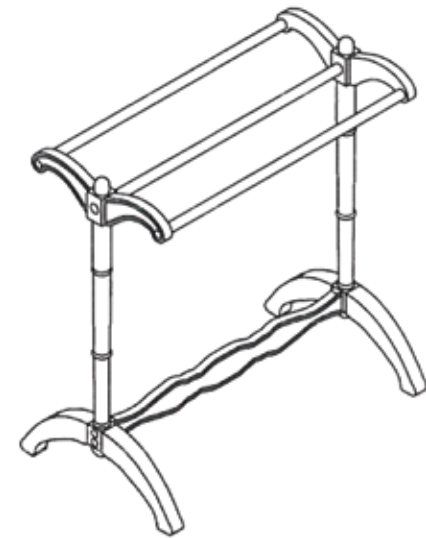







TC06 ASSEMBLY INSTRUCTION

Step①



Final



NO.	A	B	C	D	E
hardware					
QTY	1/4*1 1/4"	1/4*16	1/4*13	4mm	φ10mm
Size	10pcs	10pcs	10pcs	1pcs	10pc