

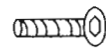

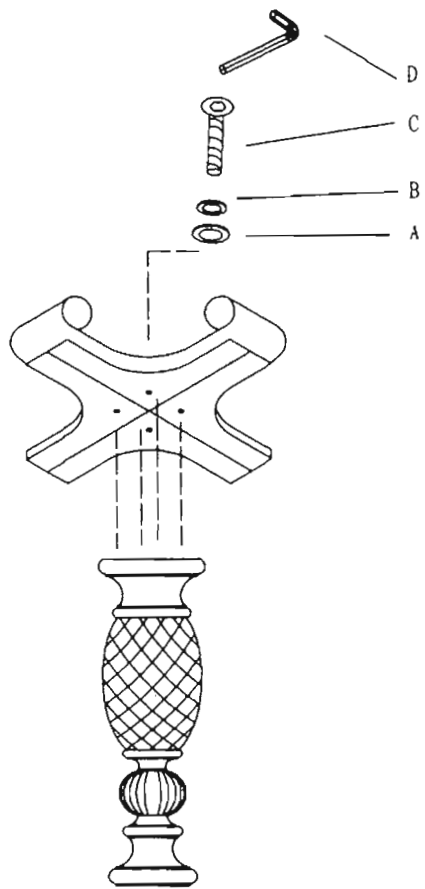
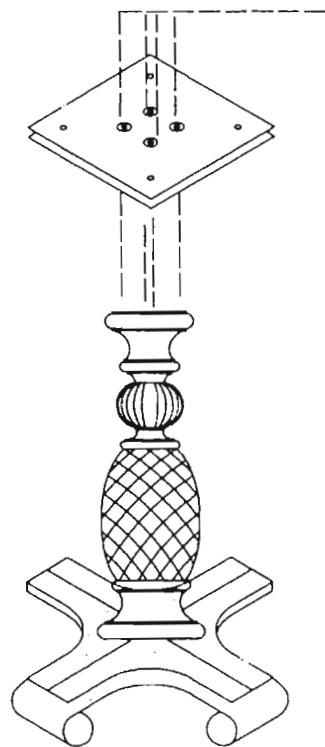


# Assembly Instruction

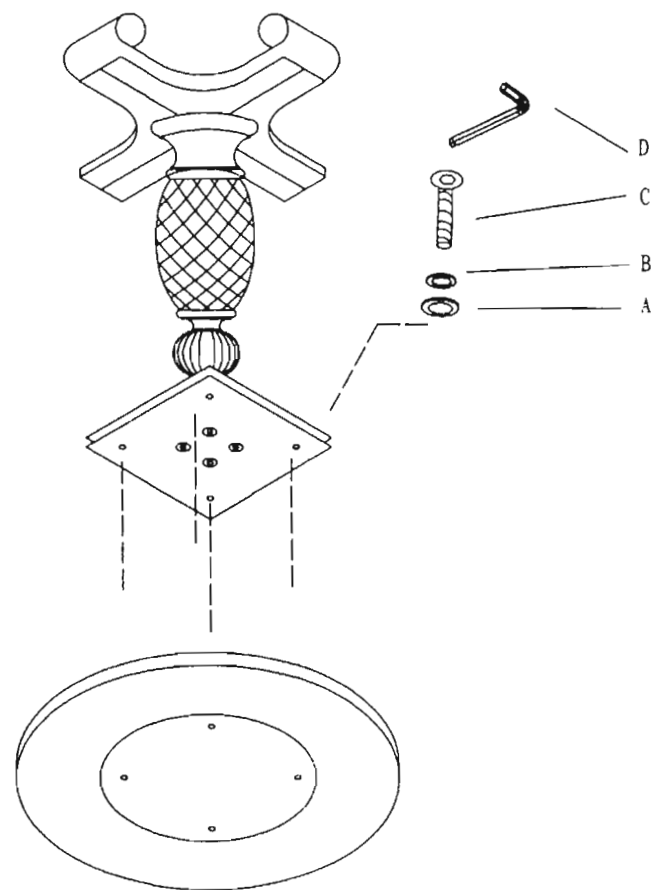
A		$\phi 5/16" * 19\text{mm}$	12pcs.
B		$\phi 5/16"$	12pcs
C		$\phi 5/16" * 1-1/4"$	12pcs
D		5mm	1pcs



step1



step2



step3