

ASSEMBLY INSTRUCTIONS (EL)

Thank you for purchasing this product. We want to make sure it is complete and to your satisfaction. Please check all packing material carefully for small parts which may have come loose inside the carton during shipment. Hardware can be identified by bright red packaging. Separate, identify, and count all parts and hardware to make sure they match with the illustrations herein and are all present. If any part(s) are missing or defective please contact customer service. Contact information is given at the bottom of these instructions. If you feel the item is defective beyond a resolution with part replacements, please return this product with your receipt to the place of purchase. If purchased from an internet retailer, please contact their customer service department. Photo's and additional information may be requested to validate the claim. Thank you.

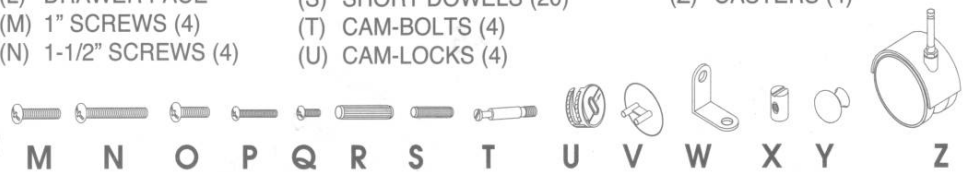
IMPORTANT NOTE: Follow instructions listed below in the proper sequence as numbered to assure fast, easy and correct assembly.

PARTS

(A) MAGAZINE BACK	(H) SHELVES (3)	(O) LARGE 3/4" SCREWS (2)	(V) COVERS (4)
(B) LEFT MAGAZINE SIDE	(I) BASE	(P) SMALL 3/3" SCREW	(W) BRACKETS (4)
(C) RIGHT MAGAZINE SIDE	(J) TOP	(Q) 3/8" SCREWS (8)	(X) HANGER BOLTS (4)
(D) MAGAZINE BOTTOM	(K) DRAWER	(R) LONG DOWEL	(Y) DRAWER PULL
(E) BACK PANEL	(L) DRAWER FACE	(S) SHORT DOWELS (20)	(Z) CASTERS (4)
(F) LEFT SIDE PANEL	(M) 1" SCREWS (4)	(T) CAM-BOLTS (4)	
(G) RIGHT SIDE PANEL	(N) 1-1/2" SCREWS (4)	(U) CAM-LOCKS (4)	

HARDWARE ILLUSTRATION

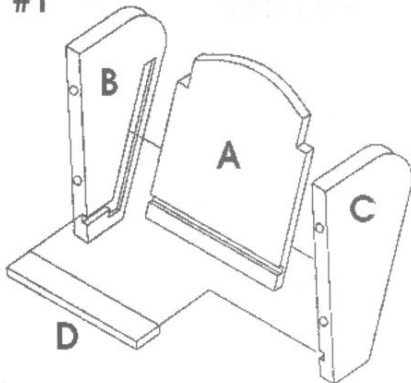
Tools required: Screwdriver (not included)



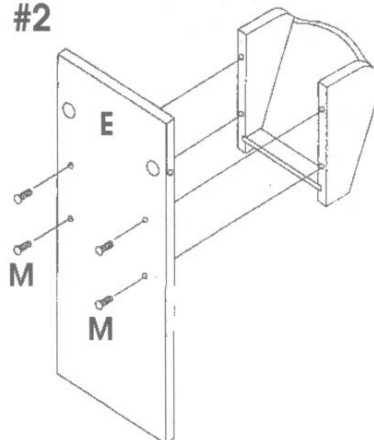
ATTENTION: SOME NUMBERED PARTS LISTED ON THE INSTRUCTION SHEET MAY NOT BE IN PARTS BAG AS THEY MAY ALREADY BE ASSEMBLED. CAREFULLY CHECK PARTS AND PACKING MATERIALS PRIOR TO ORDERING REPLACEMENTS.

- Note: Upon opening, thoroughly clean all wood surfaces with furniture polish to remove dust and dirt that may have settled onto finish during shipment.
- Place parts on a soft cloth. Insert Magazine Back (A) into slots in Left and Right Magazine Sides (B,C). Insert Magazine Bottom (D) into slot in Left and Right Magazine Sides (B,C) and into slot in Magazine Back (A). (See ill. #1)
- Insert 1" Screws (M) through Back Panel (E) and tighten into Left and Right Magazine Sides (B,C). (See ill. #2)
- Insert Short Dowels (S) into edges of Shelves (H) and non threaded hole of Back Panel (E). Tighten Cam-bolts (T) into threaded holes of Left and Right Side Panels (F,G). Insert Short Dowels (S) extending from Shelves (H) into corresponding holes on Left Side Panel (F). Insert Short Dowels (S) extending from Left Side Panel (F) into left side of Back Panel (E). Align Short Dowels (S) extending from Shelves (H) with Right Side Panel (G) and insert Cam-bolts (T) extending from Right Side Panel (G) into right edge of Back Panel (E). Insert Cam-locks (U) into large holes in Back Panel (E) with slot for screwdriver facing outward. Rotate Cam-locks (U) clockwise to secure Cam-bolts (T). Insert Covers (V) into Cam-locks (U). (See ill. #3)

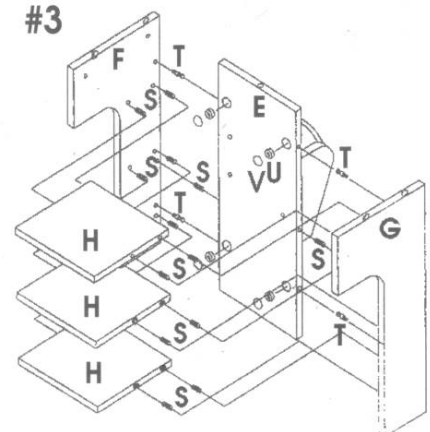
#1



#2

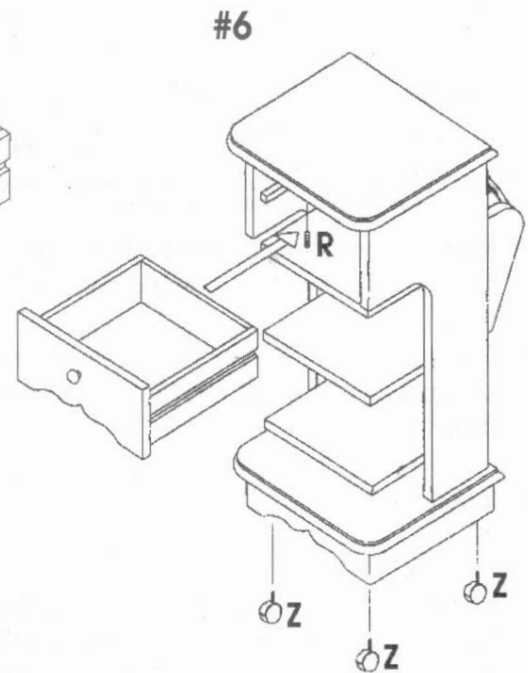
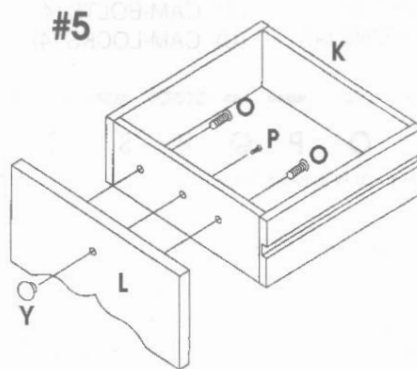
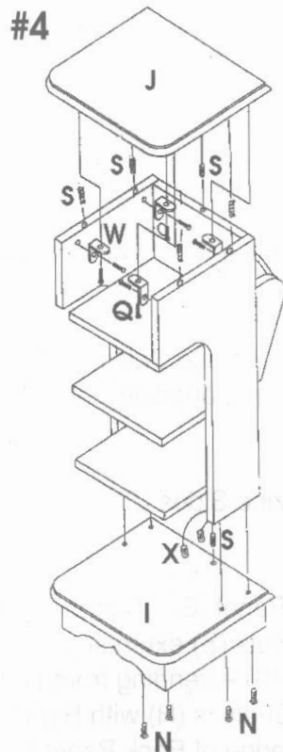


#3



TOC20120402

5. Insert Hanger Bolts (X) into large holes at bottom edge of Side Panels (F,G). Insert Short Dowel (S) extending from bottom of Back Panel (E) into top of Base (I). Insert 1-1/2" Screws (N) through Base (I) and tighten into Hanger Bolts (X). Insert Short Dowels (S) into top edge of Back and Side Panels (E,F,G). Insert 3/8" Screws (Q) through Brackets (W) and tighten into Side Panels (F,G). Insert Short Dowels (S) extending from Back and Side Panels (E,F,G) into underside of Top (J). NOTE: Decorative edge of Top (J) should face away from magazine slot. Insert 3/8" Screws (Q) through Brackets (W) and tighten into Top (J). (See ill. #4)
6. Insert Large 3/4" Screws (O) through Drawer (K) and tighten into back of Drawer Face (L). Insert Small 3/4" Screw (P) through Drawer (K) and Drawer Face (L) and tighten into Drawer Pull (Y). (See ill. #5)
7. Place assembly upside down. Insert Casters (Z) into holes corners of Base (I). Stand assembly upright. Partially insert assembled Drawer (K) into top compartment. Insert Long Dowel (R) into hole near front edge of Top (J). (See ill. #6)
8. Your furniture has been handcrafted and skillfully finished by fine craftsmen. Rich, deep antique finishes have been applied which require very little polish. However, should you desire a shinier finish, simply use any good grade of furniture polish, rubbing the finish lightly as it is being applied. Allow to dry and buff lightly with a soft cloth.



Should there be any missing or defective part(S), you can **fax this form to (310) 841-0842**, or call Customer Service at (800) 622-4456. PLEASE HAVE THE MODEL NUMBER, PART CODE AND FACTORY CODE IDENTIFIED

MODEL NO. 400-846 "Mission Red Oak"
401-846 "Classic Cherry"
403-846 "Windor Oak"

Part Letter _____	Quantity _____	Name _____
_____	_____	Address _____
_____	_____	City _____ State _____ Zip _____
Reason for replacement _____	_____	(No Post Office Box Addresses)
_____	_____	Best contact phone number (_____) _____
Place of purchase _____	_____	_____
Date of Purchase _____	_____	Factory Code (EL) _____