

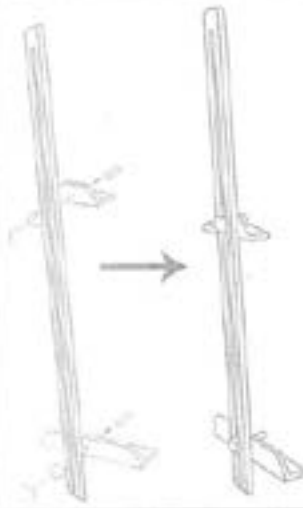
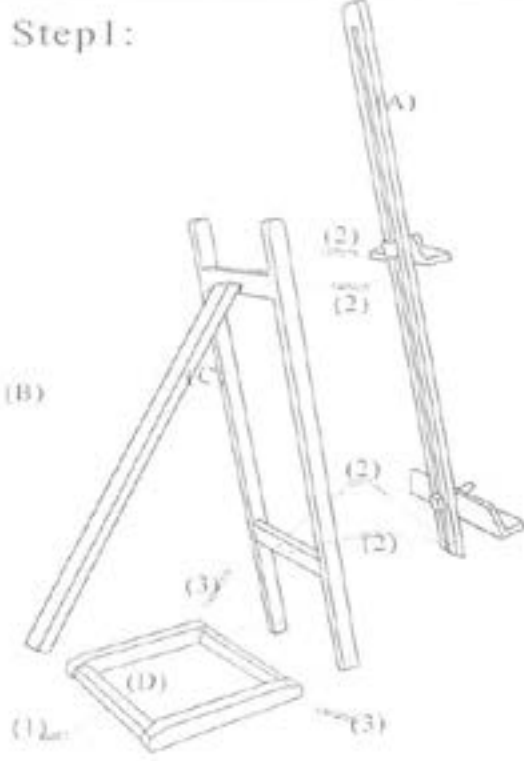




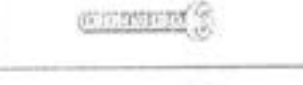



ASSEMBLY INSTRUCTIONS

PRE-ASSEMBLY PREPARATION:

Make sure all parts are included before assembly.

Recommended two people to assemble the product.

Warning: Small parts are contained. Keep away from children.

	PARTS	QTY	Step By Step Assembly Instructions
A		1PC	<p>Step 1:</p> 
B		1PC	
C		1PC	
1		1PC	<p>finish:</p> 
2		4PCS	
3		2PCS	
4		7PCS	
5		1PC	