

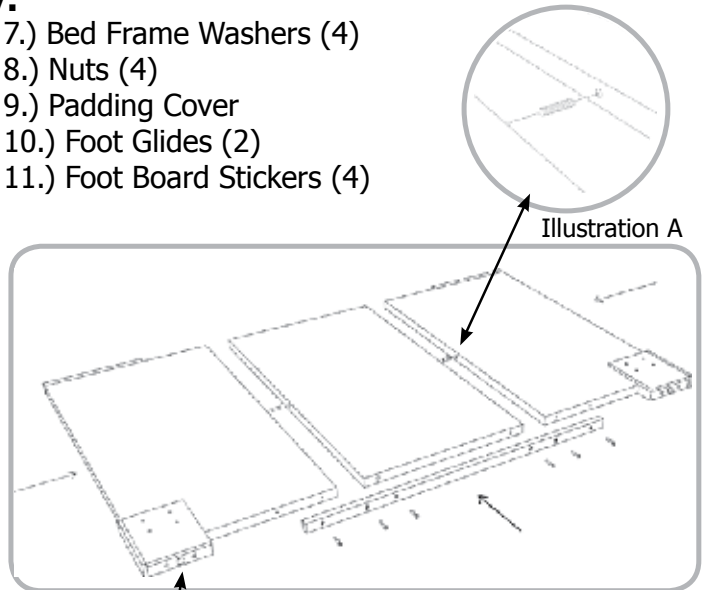
King/Cal King Slipcovered Headboard Instruction Sheet

Checklist of Items Included for Assembly:

- 1.) Frame: Side Panels (2)
- 2.) Frame: Center Panel (1)
- 3.) Frame: Stabilizer Bar (2)
- 4.) Dowel Pins (2)
- 5.) Flat Head 1.1/2" Screws (12)
- 6.) Phillips Head 2.1/2" Bed Frame Screws (4)
- 7.) Bed Frame Washers (4)
- 8.) Nuts (4)
- 9.) Padding Cover
- 10.) Foot Glides (2)
- 11.) Foot Board Stickers (4)

Step 1

It is best if you assemble your Headboard with two people. Lay the 3 Headboard Panels side by side on the floor. Take the 2 Dowel Pins and place them in the holes of the Center Panel as shown in Illustration A. Slide the Frame Panels together so that the Dowel Pins slide securely into the holes of the Side Panels.



Step 2

Take one of the two Stabilizer Bars and align it to the holes of the 3 Panels on the bottom of the Headboard. Secure in place with 6 of the Flat Head Screws provided. See Illustration B. Repeat Step 2 for the remaining Stabilizer Bar on the top of the Headboard as in Illustration C.

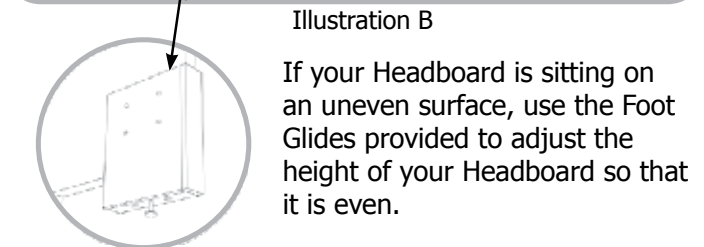


Illustration B

If your Headboard is sitting on an uneven surface, use the Foot Glides provided to adjust the height of your Headboard so that it is even.

Step 3

Prop your Headboard upright and align your Bed Frame (NOT Included) up to the holes. A King Size frame will fit to the outside holes; a Cal King Frame will fit to the inside holes. Use the Bed Frame Screws, Washers and Nuts to secure the Frame to the Headboard.

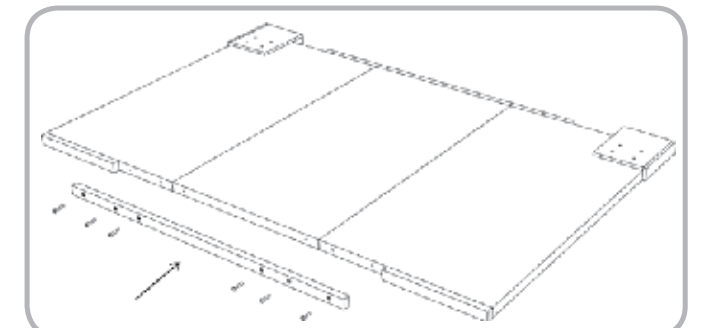


Illustration C

Step 4

Once your Headboard and Frame are secure, slip the padding cover over the top of the Headboard. Finally, slide your Slipcover (sold Separately) over the padding. Use the black Foot Board Stickers to cover the unused holes on the Feet of the Headboard.

Please contact CTC Customer Service if you need assistance (773) 890-5445.

