

**TOUCH OF CLASS**  
**LANGSTON WINE RACK**  
**ITEM NO.: YS1009**

**PARTS LIST**












<u>LETTR</u>	<u>DESC</u>	<u>Q'TY</u>
A	SIDE FRAME	2
B	TOP CROSS RAIL	2
C	REAR BOTTLE RACK	4
D	FRONT BOTTLE RACK	4
E	TOP	1
F	BASE	1
G	TRAY	1
H	WOOD DOWEL	40
I	MACHINE SCREW	8
J	WOOD SCREW	4
K	BRASS HANDLE	2

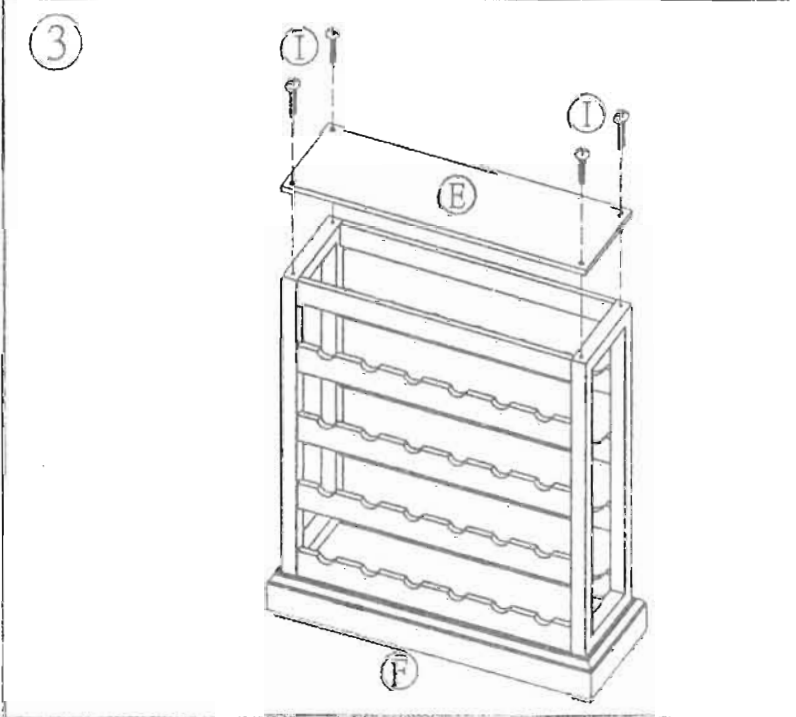
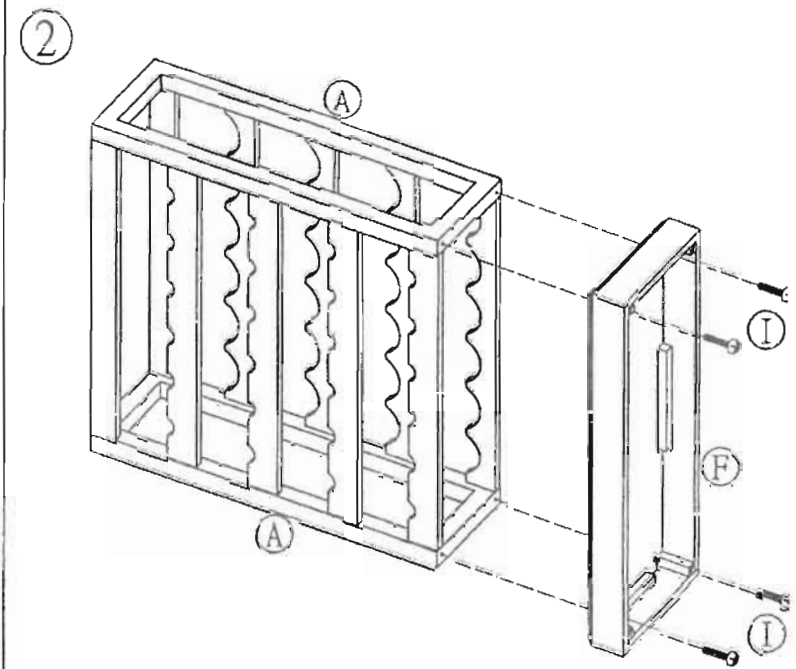
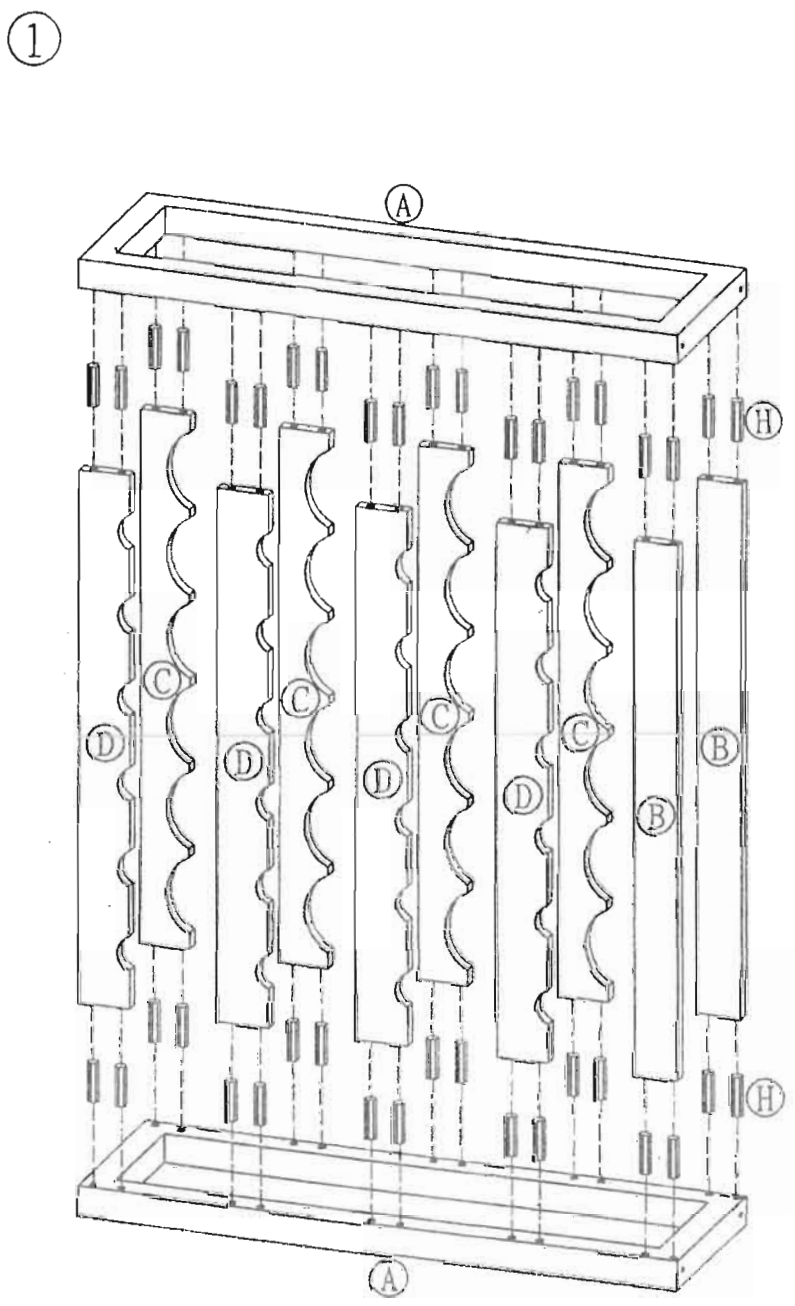
**INSTRUCTIONS**

1. ATTACH TOP CROSS RAILS (B), REAR BOTTLE RACKS (C) AND FRONT BOTTLE RACKS (D) TO SIDE FRAMES (A) WITH WOOD DOWELS (H).
2. ATTACH BASE (F) TO SIDE FRAMES (A) WITH MACHINE SCREWS (I) AND TIGHTEN.
3. ATTACH TOP (E) TO SIDE FRAMES (A) WITH MACHINE SCREWS (I) AND TIGHTEN.
4. ATTACH BRASS HANDLES (K) TO TRAY (G) WITH WOOD SCREWS (J).
5. PLACE TRAY (G) ON TOP (E).

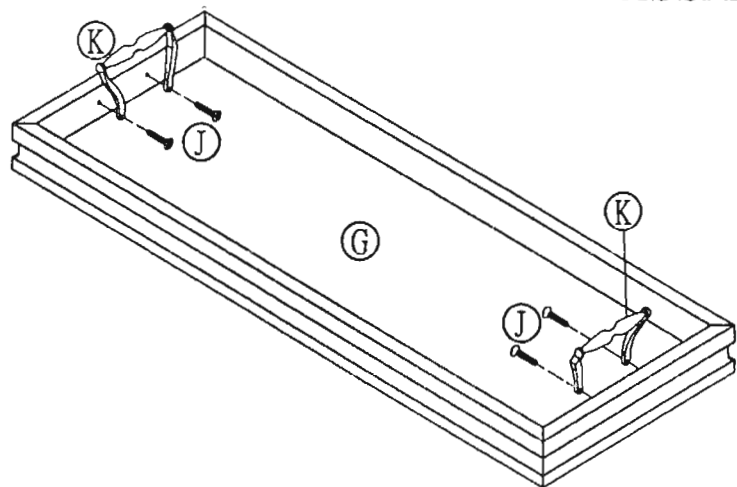
ITEM NO:YS1009

# ASSEMBLY INSTRUCTION

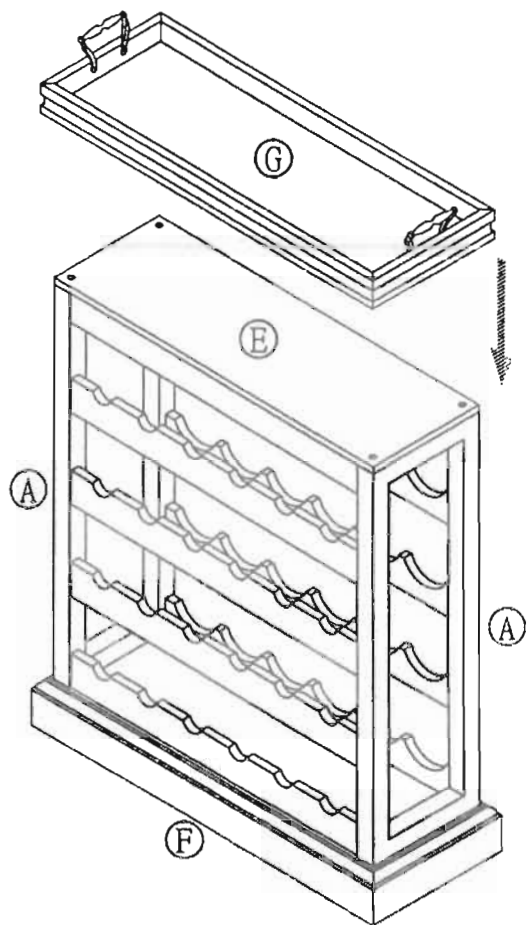
PARTS	Q'TY
	2PCS
	2PCS
	4PCS
	4PCS
	1PC
	1PC
	1PC
	40PCS
	8PCS
	4PCS
	2PCS



④



⑤



⑥

