

CORNER COMPUTER DESK

ITEM # 1098, # 2098 # 3098 # 4098 # 5098

PARTS LIST

LETTER KEY	DESC	Q'TY	LETTER KEY	DESC	Q'TY
A	TOP	1	a	CAM LOCK SCREW	32
B	LEFT DOOR PANEL	1	b	CAM LOCK	32
C	RIGHT DOOR PANEL	1	c	WOOD KNOB	4
D	LEFT SIDE PANEL	1	d	S. PHILLIP HEAD SCREW	4
E	RIGHT SIDE PANEL	1	e	LARGE WOOD SCREW	16
F	LEFT CENTER PANEL	1	f	SMALL WOOD SCREW	3
G	RIGHT CENTER PANEL	1	g	PLASTIC PIN	4
H	LEFT BOTTOM PANEL	1	h	WIRE HOLE COVER	1
I	RIGHT BOTTOM PANEL	1	i	WOOD DOWEL	32
J	CENTER BOTTOM PANEL	1	j	HEX KEY WRENCH	1
K	CENTER MIDDLE PANEL	1	k	GLUE	1
L	KEYBOARD TRAY	1			
M	MIDDLE SHELF	1			
N	BACK PANEL	1			
O	DRAWER FRONT	2			
P	DRAWER LEFT SIDE PANEL	2			
Q	DRAWER RIGHT SIDE PANEL	2			
R	DRAWER BOTTOM PANEL	2			
S	DRAWER BACK PANEL	2			

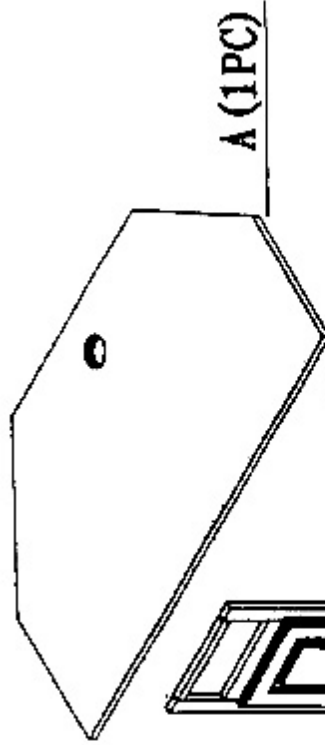
ASSEMBLY INSTRUCTIONS

- 1). SCREW CAM LOCK SCREWS (a) ONTO THREADED INSERT NUTS IN LEFT CENTER PANEL (F), LEFT SIDE PANEL (D) AND LEFT DOOR PANEL FRAME (B).
- 2). INSERT WOOD DOWELS INTO PREDRILLED HOLES IN LEFT CENTER PANEL (F), LEFT SIDE PANEL (D) AND LEFT DOOR PANEL FRAME (B).
- 3). ATTACH LEFT CENTER PANEL (F) AND LEFT SIDE PANEL (D) TO LEFT BOTTOM PANEL (H) BY INSERTING CAM LOCKS (b) INTO PREDRILLED HOLES IN LEFT BOTTOM PANEL (H) AND TIGHTEN CLOCKWISE WITH HEX KEY WRENCH (j) PROVIDED. (SEE CAM LOCK ASSEMBLY DETAILS).
- 4). ATTACH LEFT SIDE PANEL (D), LEFT CENTER PANEL (F) AND LEFT BOTTOM PANEL (H) TO LEFT DOOR PANEL FRAME (B) WITH CAM LOCKS (b) AND TIGHTEN CLOCKWISE WITH HEX KEY WRENCH (j) PROVIDED.
- 5). REPEAT STEP (1) TO (3) TO ATTACH RIGHT SIDE PANEL (E), RIGHT CENTER PANEL (G) TO RIGHT BOTTOM PANEL (I)

- 6). REPEAT STEP (4) TO ATTACH RIGHT SIDE PANEL (E), RIGHT CENTER PANEL (G) AND RIGHT BOTTOM PANEL (I) TO RIGHT DOOR PANEL FRAME (C).
- 7). ATTACH CENTER MIDDLE PANEL (K) AND CENTER BOTTOM PANEL (J) TO LEFT CENTER PANEL (F) AND RIGHT CENTER PANEL (G) WITH WOOD DOWELS ATTACHED AND CAM LOCKS (b) AND TIGHTEN CLOCKWISE WITH HEXKEY WRENCH (j) PROVIDE
- 8). INSERT BACK PANEL (N) INTO GROOVES IN CENTER PANELS (F & G) AND SECURE WITH SMALL WOOD SCREWS (f).
- 9). SCREW CAM LOCK SCREWS (a) ONTO THREADED INSERT NUTS IN TOP (A).
- 10). INSERT WOOD DOWELS (i) INTO PREDRILLED HOLES IN TOP (A).
- 11). ATTACH TOP (A) TO CENTER PANELS (F & G) AND SIDE PANELS (D & E) WITH CAM LOCKS (b) AND TIGHTEN CLOCKWISE WITH HEX KEY WRENCH (j) PROVIDED.

DRAWER ASSEMBLY

- 12). ATTACH DRAWER SIDE PANELS (P & Q) TO DRAWER FRONT (O) WITH LARGE WOOD SCREWS (e).
- 13). INSERT DRAWER BOTTOM PANEL (R) INTO GROOVES IN DRAWER SIDE PANELS (P & Q) AND DRAWER FRONT (O).
- 14). ATTACH DRAWER BACK PANEL (S) TO DRAWER SIDE PANELS (P & Q) WITH LARGE WOOD SCREWS (e).
- 15). ATTACH WOOD KNOBS (c) TO DRAWER FRONTS (O) WITH SMALL PHILLIPS HEAD SCREWS (d).
- 16). INSERT PLASTIC PINS (g) INTO PREDRILLED HOLES IN LEFT SIDE PANEL (D) AND LEFT CENTER PANEL (F).
- 17). PLACE MIDDLE SHELF (M) ON PLASTIC PINS (g).
- 18). ATTACH WOOD KNOBS (c) TO DOOR PANELS (B&C) WITH SMALL PHILLIPS HEAD SCREWS (d).
- 19). INSERT KEYBOARD TRAY (L) INTO RAILS ATTACHED ON RIGHT AND LEFT CENTER PANELS (G & F).
- 20). COVER WIRE HOLE WITH COVER (h).



A (1PC)



B (1PC)



C (1PC)



D (1PC)



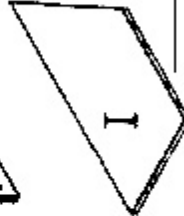
E (1PC)



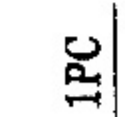
F (1PC)



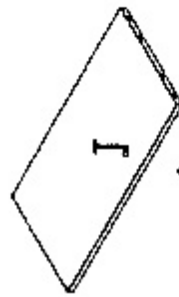
G (1PC)



H (1PC)



I (1PC)



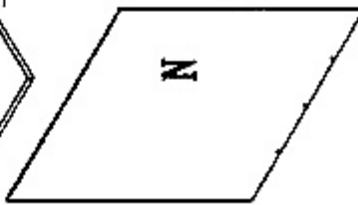
J (1PC)



L (1PC)



M (1PC)



N (1PC)



O (2PCS)



P (2PCS)



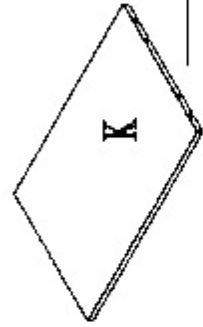
Q (2PCS)



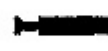
R (2PCS)



S (2PCS)



K (1PC)



a (32pcs)



b (32pcs)



c (4pcs)



d (4pcs)



e (16pcs)



f (3pcs)



g (4pcs)



h (1pc)



i (32pcs)

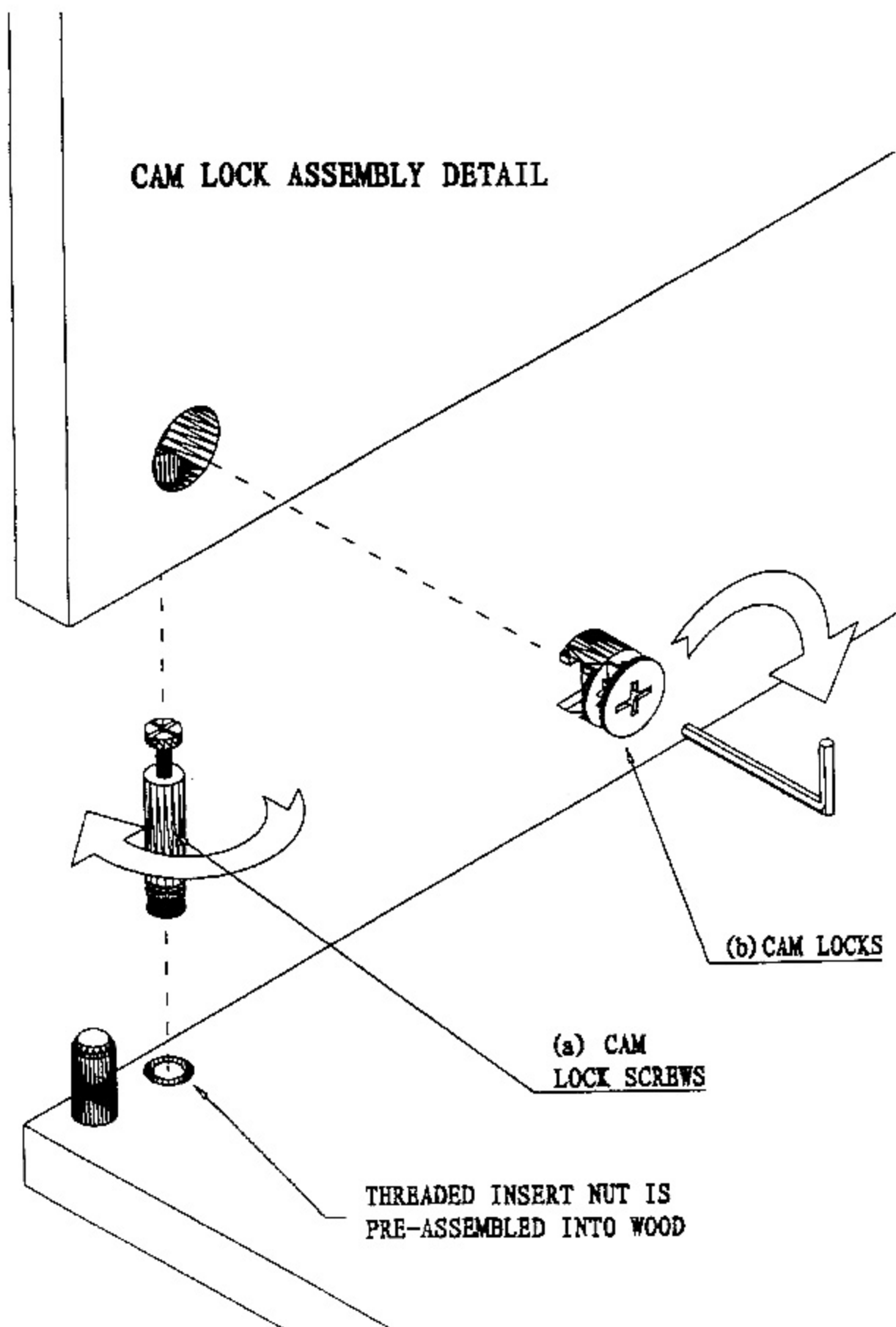


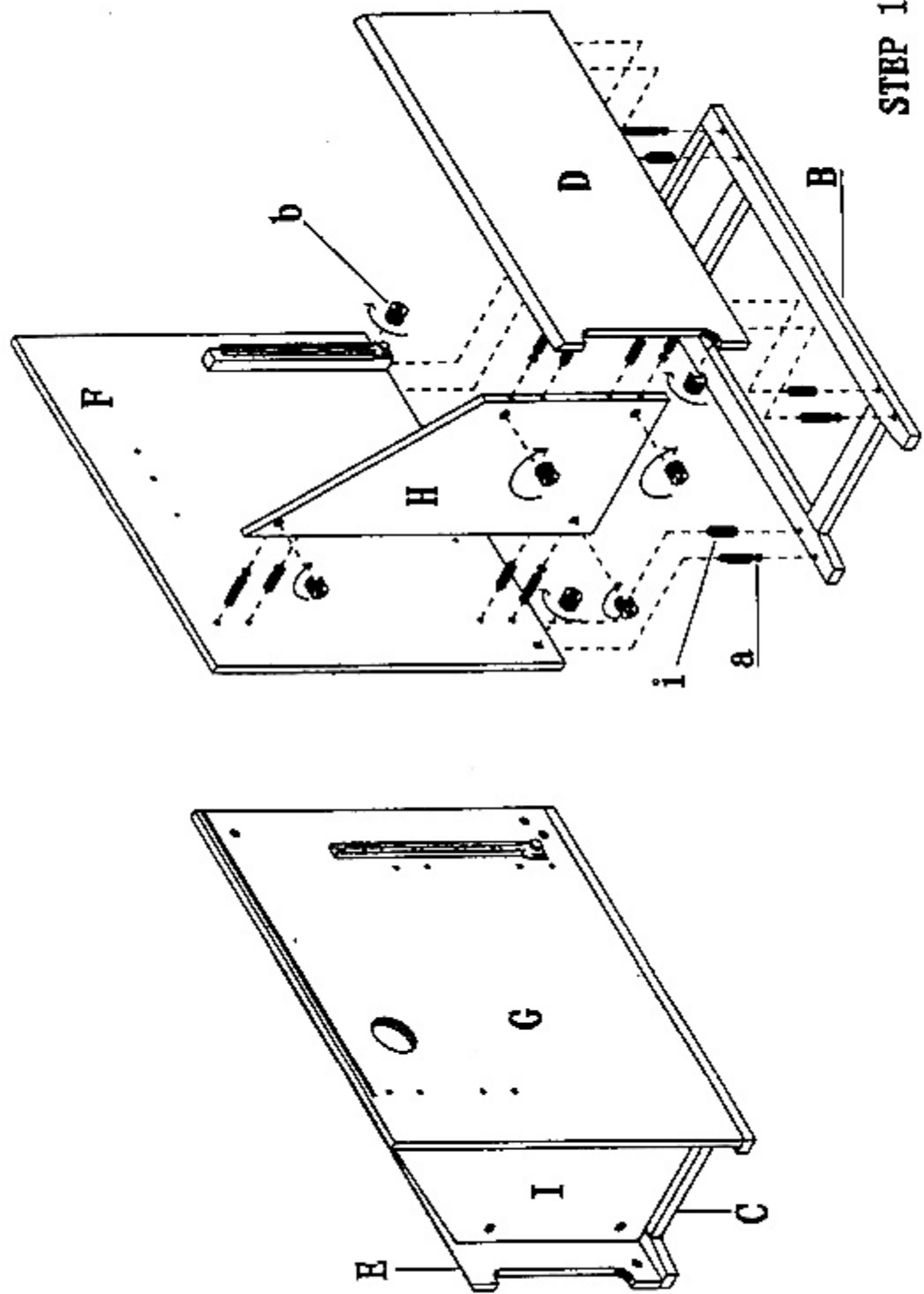
j (1pc)



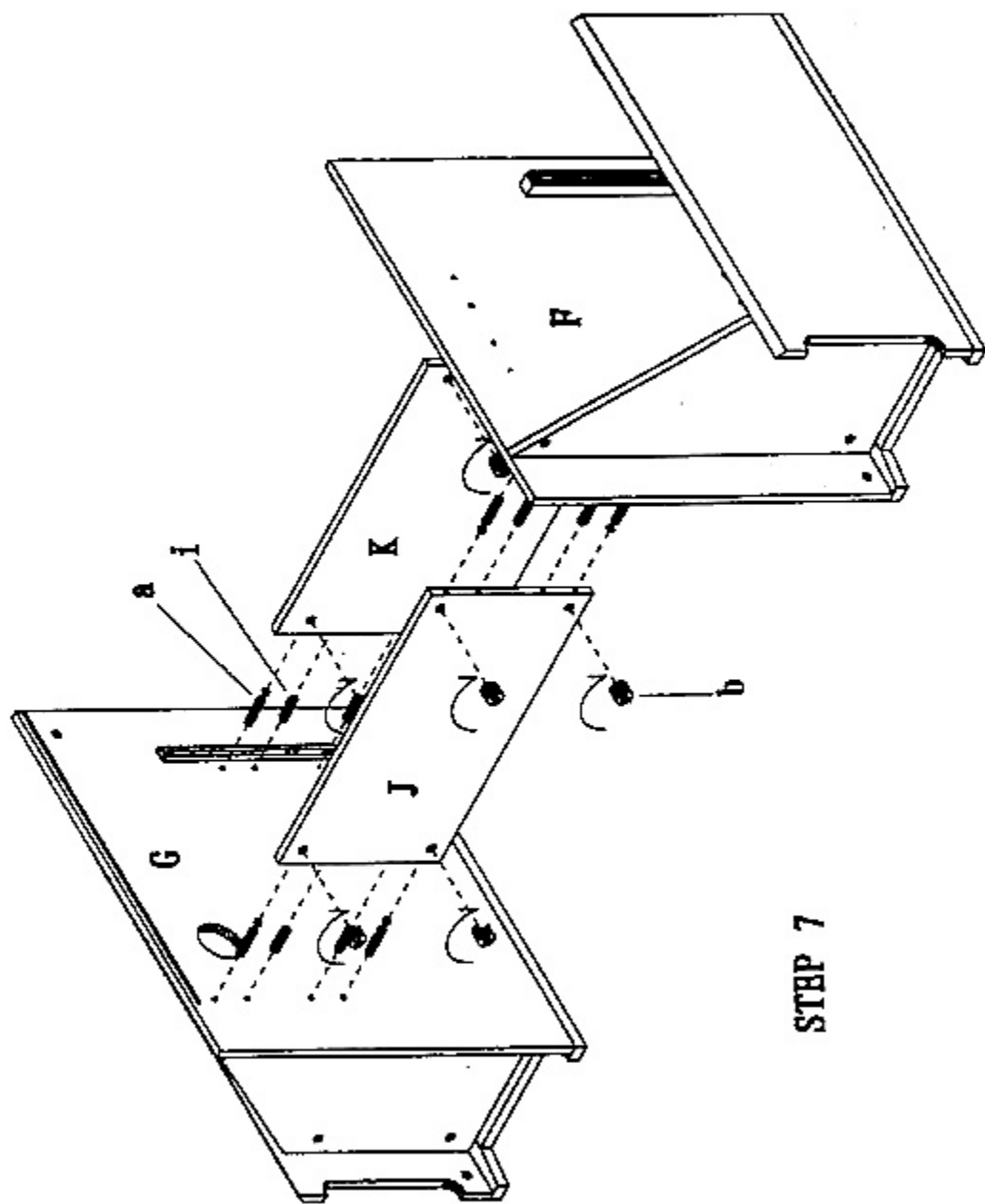
k (1pc)

CAM LOCK ASSEMBLY DETAIL

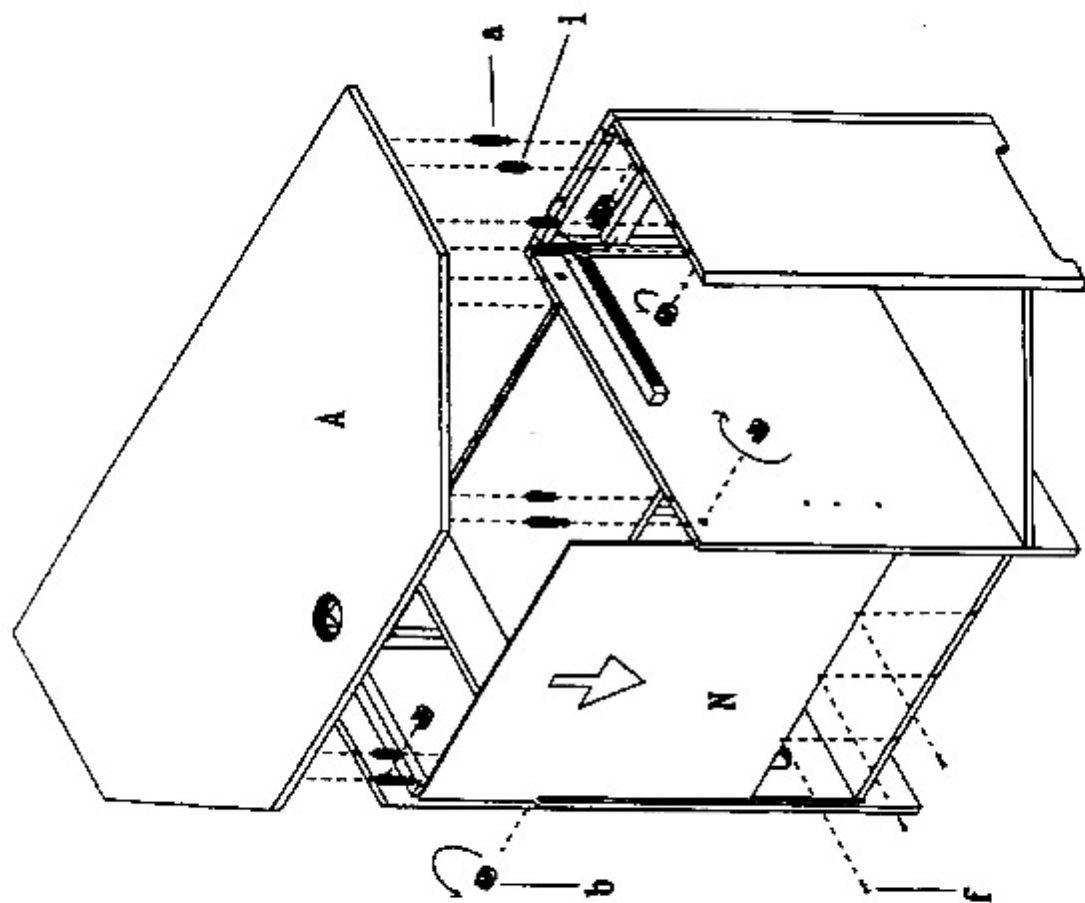




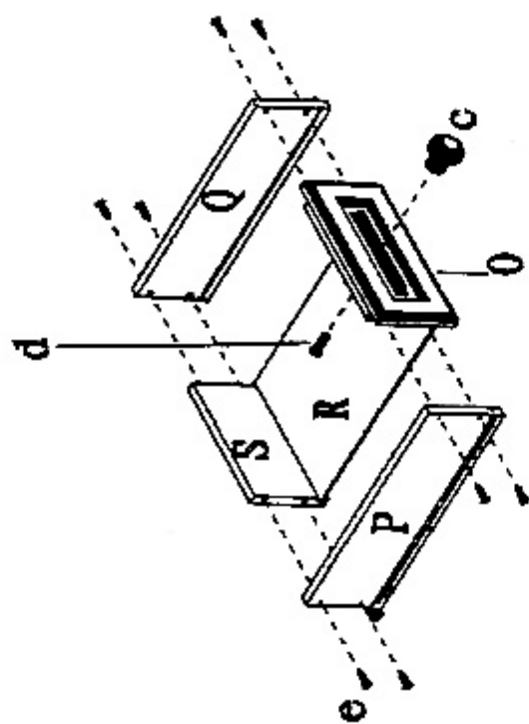
STEP 1--6



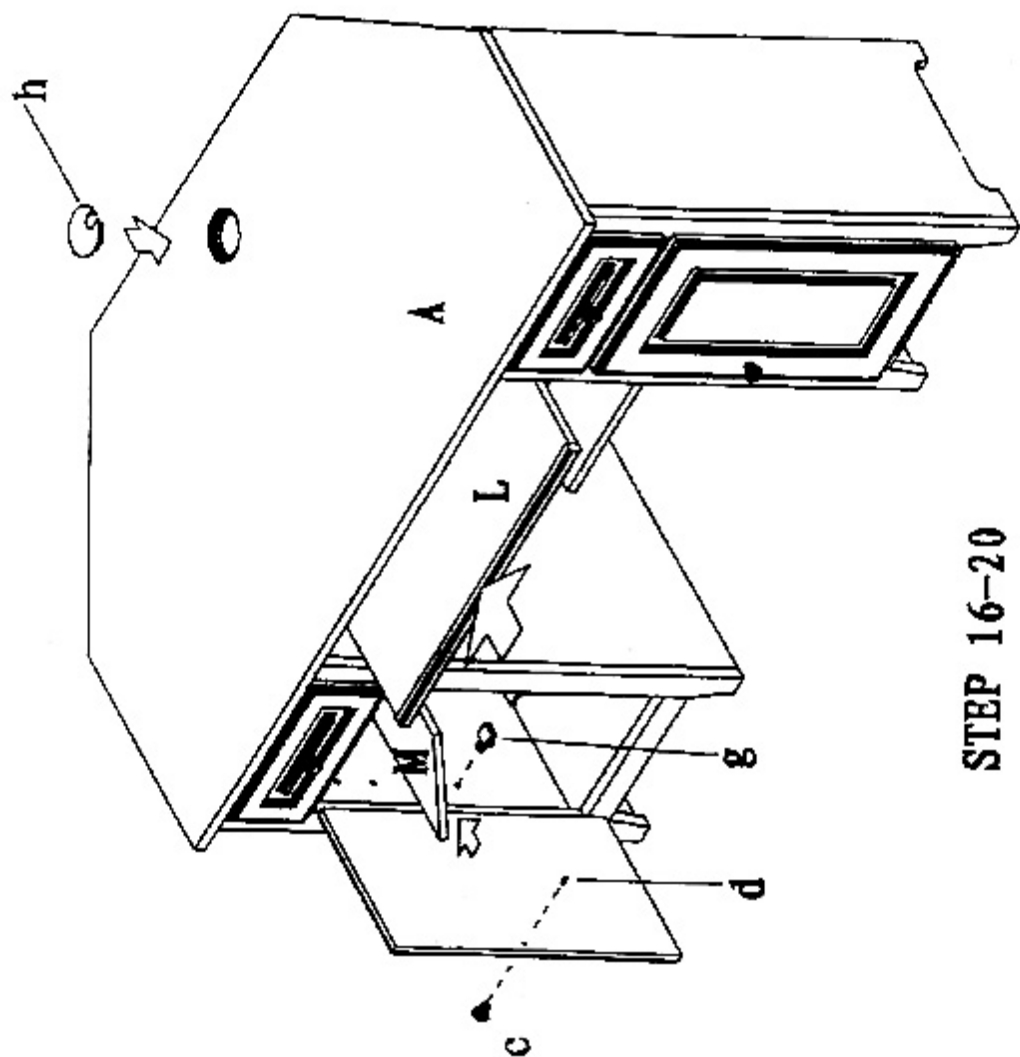
STEP 7



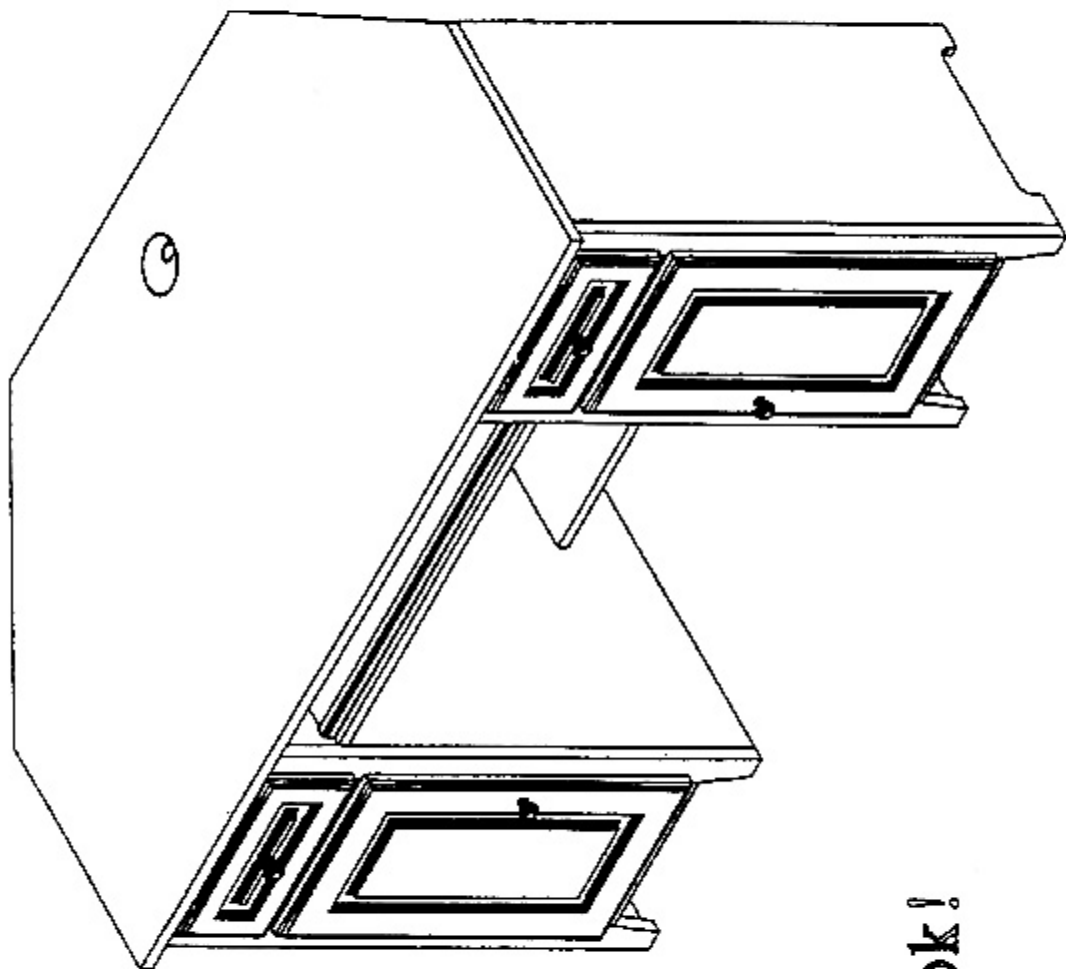
STEP 8-11



STEP 12-15



STEP 16-20



ok!