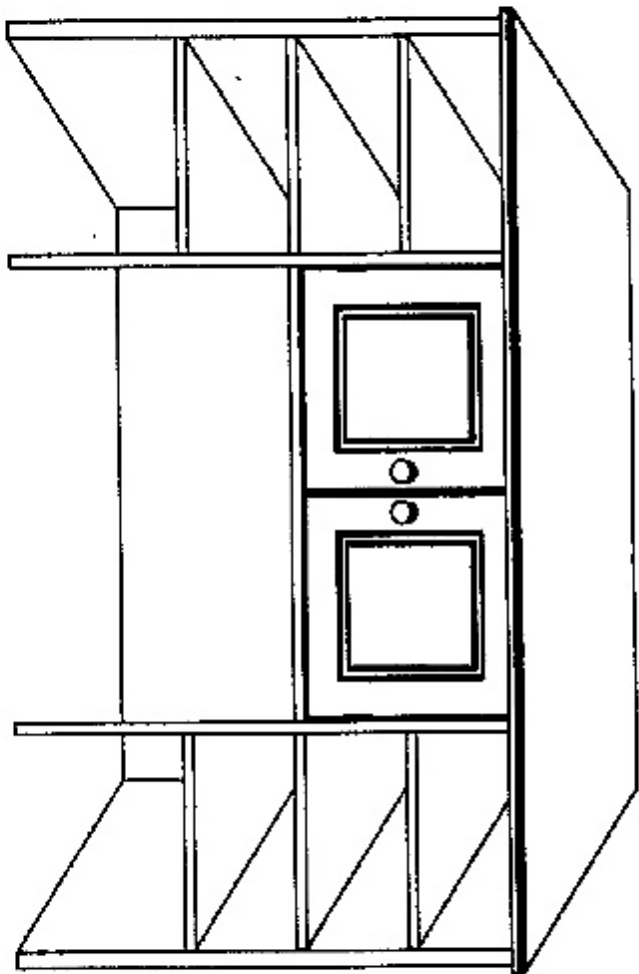


ASSEMBLY INSTRUCTIONS

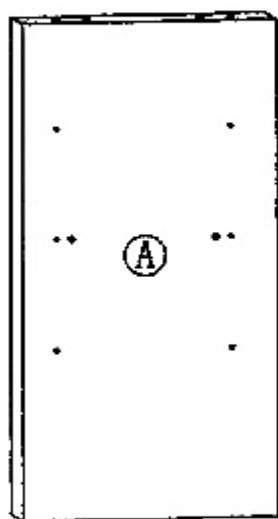


HUTCH
ITEM #1099 (MAHOGANY)
#2099 (OAK)
#3096 (WHITEWASH)
#5114 (BLACK)

PARTS LIST

<u>LETTER KEY</u>	<u>DESC.</u>	<u>Q'TY</u>
A	LEFT SIDE PANEL	1
B	PARTITION	2
C	RIGHT SIDE PANEL	1
D	SIDE CENTER SHELF	2
E	CENTER PANEL	1
F	TOP PANEL	1
G	LEFT DOOR	1
H	RIGHT DOOR	1
I1	BACK PANEL (TOP)	1
I2	BACK PANEL (BOTTOM)	1
J	SIDE SHELF	4
K	LARGE WOOD SCREW	8
L	WOOD DOWEL	20
M	CAM LOCK SCREW	12
N	CAM LOCK	12
O	PLASTIC COVER	12
P	FLAT HEAD SCREW	14
Q	PHILLIPS HEAD SCREW	2
R	KNOB	2
S	ROUND HEAD SCREW	16
T	PIN	16
U	"L" LINK	2
V	"L" WRENCH	1
W	GLUE	1

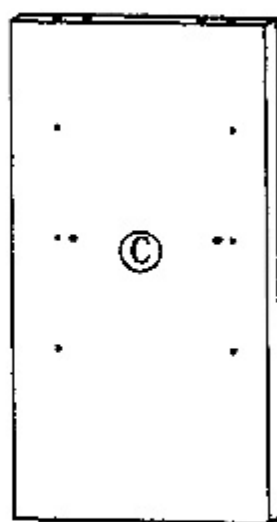
PARTS LIST:



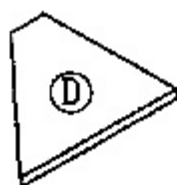
LEFT SIDE PANEL 1PC



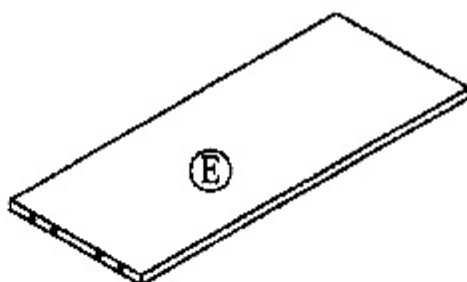
PARTITION 2PCS



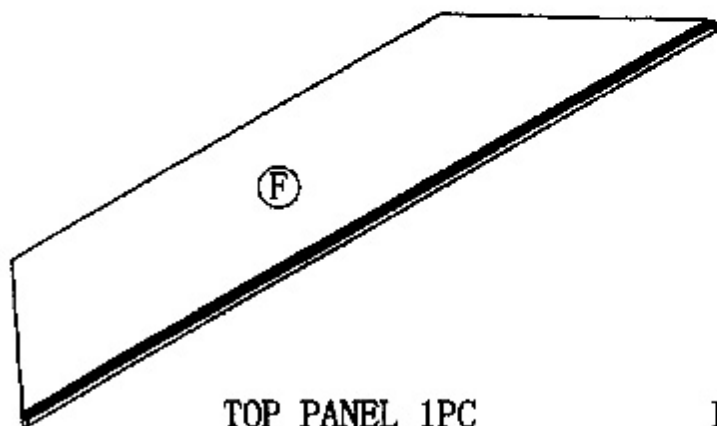
RIGHT SIDE PANEL 1PC



SIDE CENTER SHELF 2PCS



CENTER PANEL 1PC



TOP PANEL 1PC



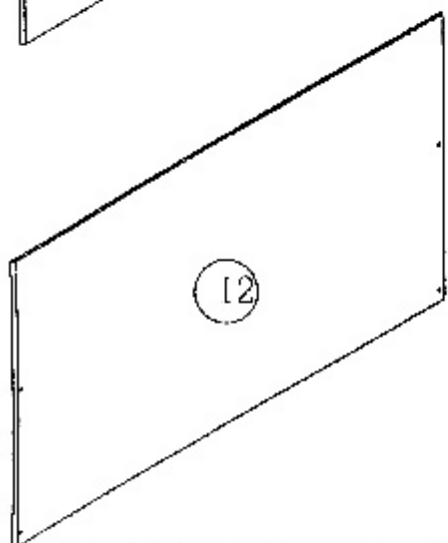
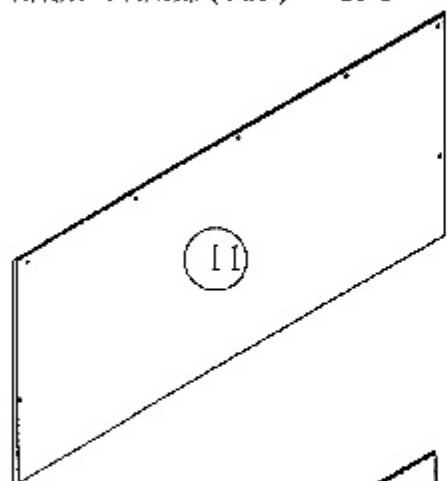
LEFT DOOR 1PC



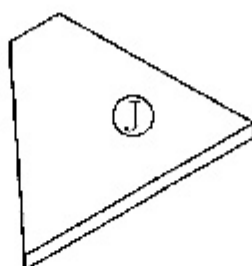
RIGHT DOOR 1PC

PARTS LIST:

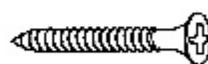
BACK PANEL (TOP) 1PC



BACK PANEL (BOTTOM) 1PC



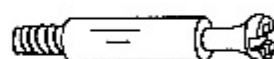
SIDE SHELF 4PCS



K. LARGE WOOD SCREW 8PCS



L. WOOD DOWEL 20PCS



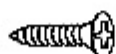
M. CAM LOCK SCREW 12PCS



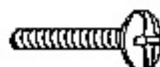
N. CAM LOCK 12PCS



O. PLASTIC COVER 12PCS



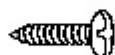
P. FLAT HEAD SCREW 16PCS



Q. PHILLIPS HEAD SCREW 2PCS



R. KNOB 2PCS



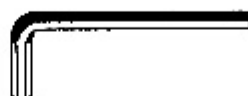
S. ROUND HEAD SCREW 16PCS



T. PIN 16PCS



U. "L" LINK 2PCS



V. "L" WRENCH 1PC



W. GLUE 1PC

ASSEMBLY INSTRUCTIONS

1. ATTACH SIDE CENTER SHELF (D) TO LEFT SIDE PANEL (A) AND PARTITION (B) WITH LARGE WOOD SCREWS (K).
2. ATTACH SIDE CENTER SHELF (D) TO RIGHT SIDE PANEL (C) AND PARTITION (B) WITH LARGE WOOD SCREWS (K).
3. SCREW CAM LOCK SCREWS (M) INTO THREADED INSERTS IN PARTITIONS (B). INSERT WOOD DOWELS (L) INTO PREDRILLED HOLES IN PARTITIONS (B).

ATTACH CENTER PANEL (E) TO PARTITIONS (B) BY INSERTING CAM LOCKS (N) INTO PREDRILLED HOLES IN CENTER PANEL (E) AND TIGHTEN CLOCKWISE. (SEE CAM LOCK ASSEMBLY DETAILS) COVER SCREW HOLES WITH PLASTIC PLUGS (O).

4. SCREW CAM LOCK SCREWS (M) INTO THREADED INSERTS IN TOP (F). INSERT WOOD DOWELS (L) INTO PREDRILLED HOLES IN TOP (F).

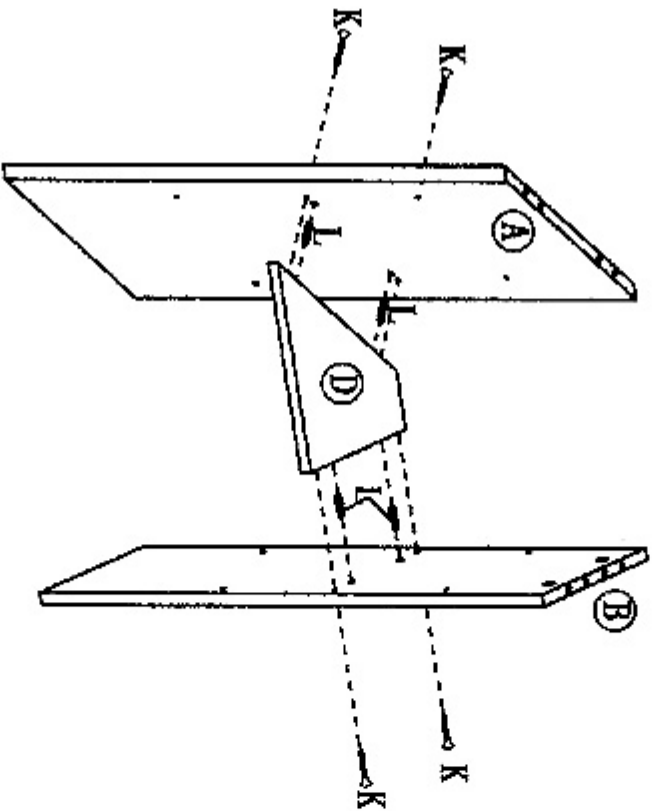
ATTACH TOP (F) TO SIDE PANELS (A & C) AND PARTITIONS (B) BY INSERTING CAM LOCKS (N) INTO PREDRILLED HOLES IN SIDE PANELS (A & C) AND PARTITIONS (B) AND TIGHTEN CLOCKWISE. COVER SCREW HOLES WITH PLASTIC PLUGS (O).

5. ATTACH DOOR PANELS (G & H) TO PARTITIONS (B) WITH FLAT WOOD SCREWS (P).

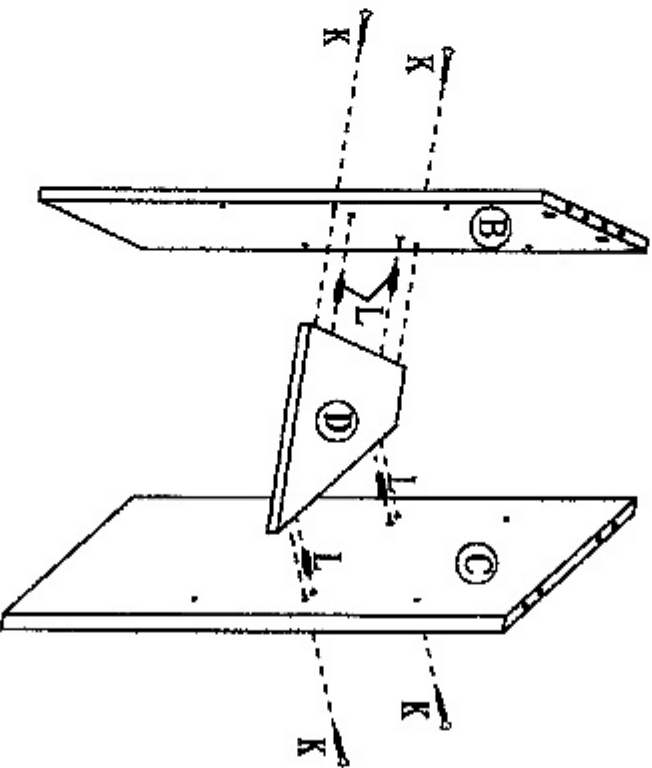
ATTACH DOOR KNOBS (R) TO DOOR PANELS (G & H) WITH PHILLIPS HEAD SCREWS (Q).

6. ATTACH BACK PANEL (I1 & I2) TO TOP (F), CENTER SHELVES (D & E) AND SIDE PANELS (A & C) WITH ROUND HEAD WOOD SCREWS (S).
7. INSERT PLASTIC PINS (T) INTO PREDRILLED HOLES IN SIDE PANELS (A & C) AND PARTITIONS (B).
8. PLACE SIDE SHELVES (J) ON PLASTIC PINS (T)
9. SECURE HUTCH TO DESK WITH "L" BRACKET AND FLAT WOOD SCREWS (P).

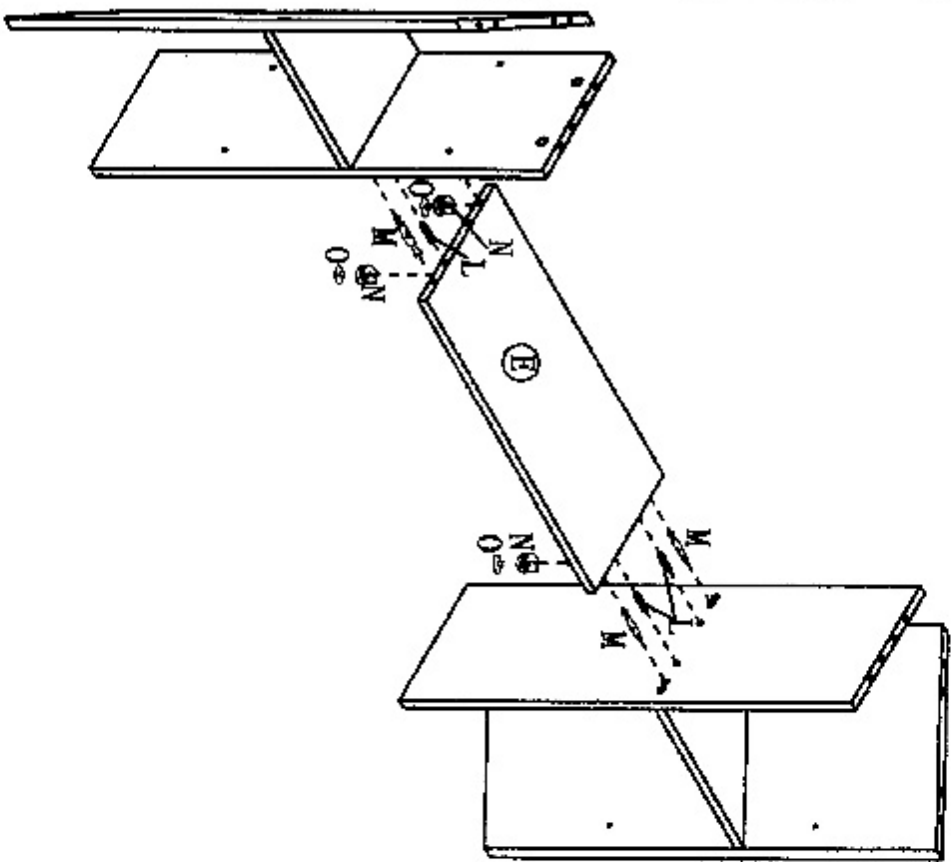
STEP 1



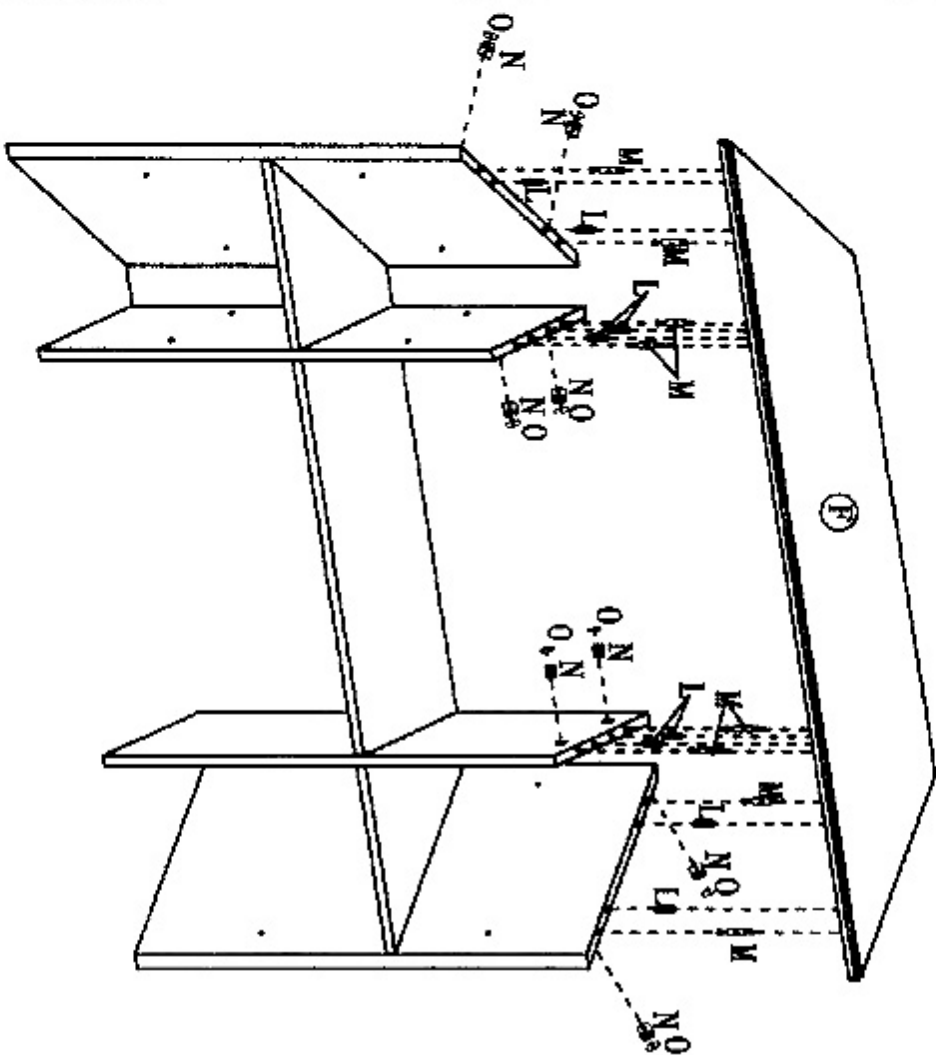
STEP 2



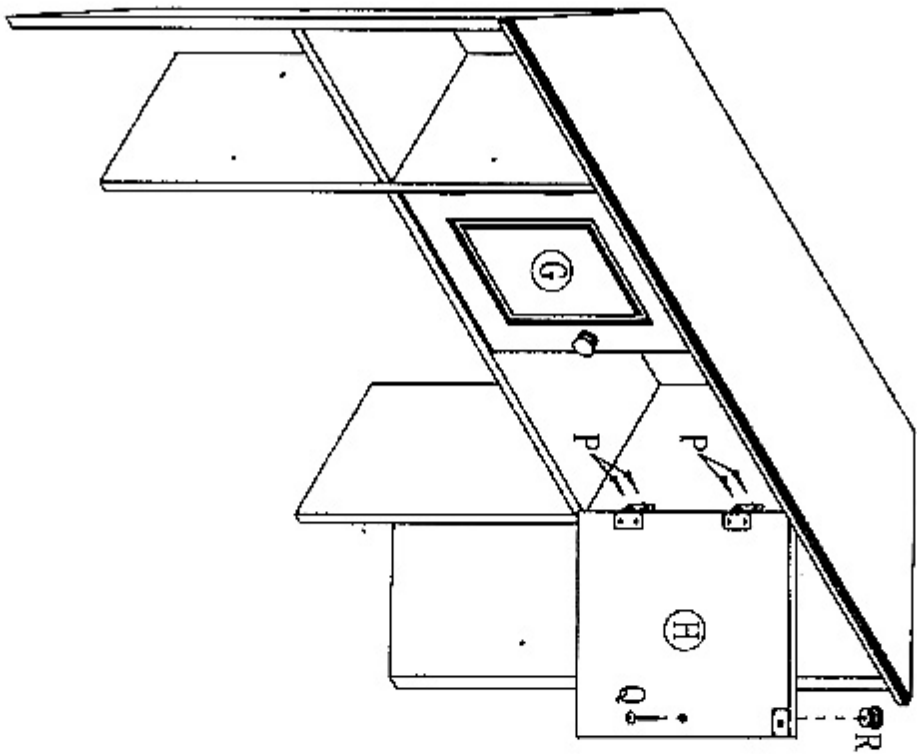
STEP 3



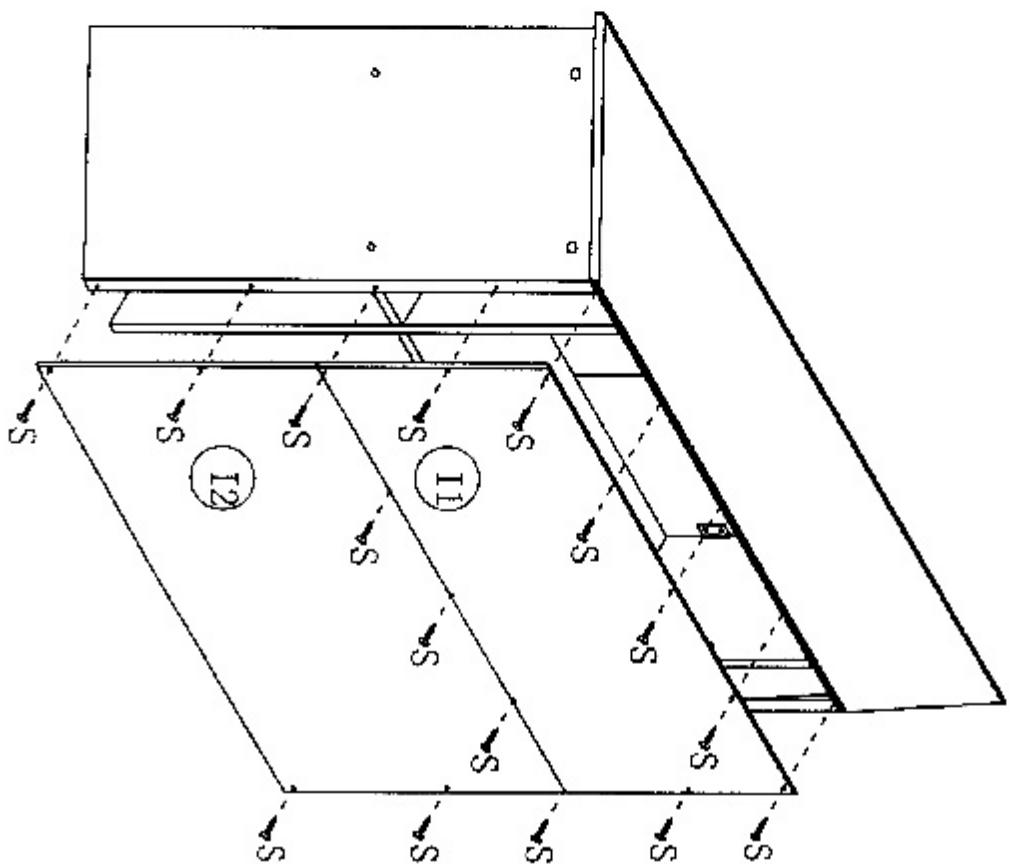
STEP 4



STEP 5



STEP 6



STEP 7

