

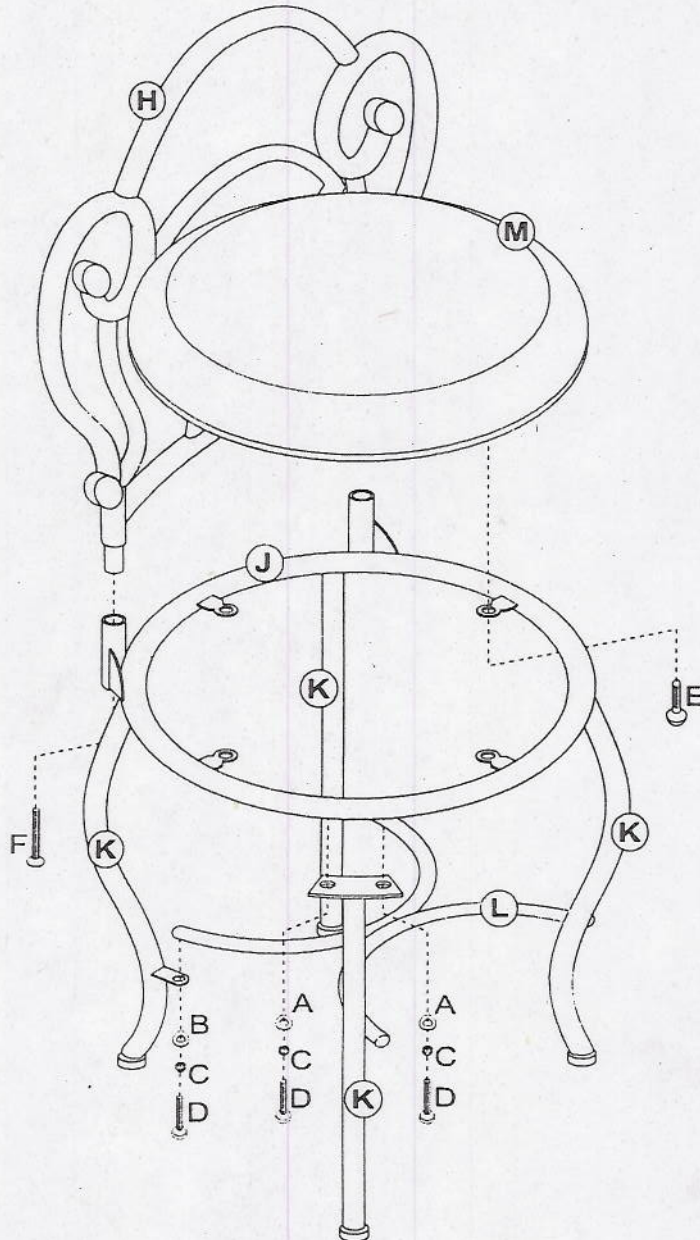
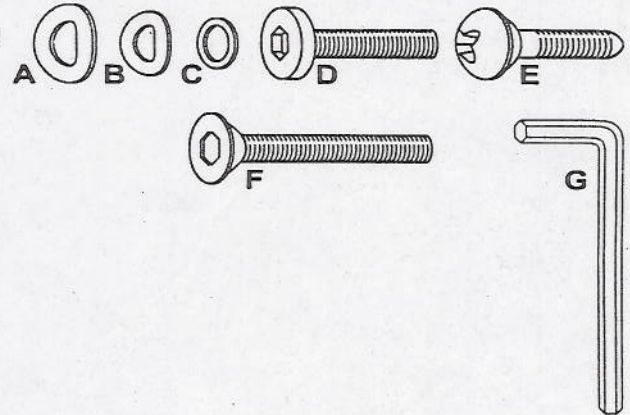
Examine all packaging material for small parts that may have come loose during shipment. Periodic checks are recommended to insure that all components are in proper position, tight and free from damage. Keep this assembly instruction for future reference. Adult assembly is required. Customer Service Phone Number: 502-562-0000

HARDWARE LIST

- A (8) Large Camber Washers
- B (4) Small Camber Washers
- C (12) Spring Washers
- D (12) Flat Head Allen Bolts
- E (4) Wood Screws
- F (2) Counter Sunk Bolts
- G (1) Allen Wrench

PARTS LIST

- H (1) Stool Back Panel
- J (1) Stool Seat Base
- K (4) Legs
- L (1) Cross Brace
- M (1) Seat Cushion



***** ASSEMBLY *****

STEP 1

Begin assembly by attaching Stool Back Panel (H) to Stool Seat Base (J), using 1 Counter Sunk Allen Bolt (F) on each bottom end. Tighten all bolts for this step.

STEP 2

Next, attach all 4 Legs (K) to Stool Seat Base (J), using 2 Flat Head Allen Bolts (D), 2 Spring Washers (C) & 2 Large Camber Washers (A) per each leg. See Figure 1. Only hand tighten bolts for this step.

STEP 3

Next, attach Cross Brace (L) to each Leg (K), using 1 Flat Head Allen Bolt (D), 1 Spring Washer (C) & 1 Small Camber Washer (B) per each leg. See Figure 2. Tighten all bolts from Steps 1 - 3 here.

STEP 4

Finally, attach Seat Cushion (M) to Stool Seat Base (J), using 4 Wood Screws (E) to hold tight in place. Only tighten using phillips head screwdriver to prevent over-tightening.

Assembly of your new Vanity Chair is now complete. Please keep this Assembly Instruction Sheet for any future use or information.

CARE & MAINTENANCE: The touch of a soft cloth is all the maintenance the finish will ever need. Please do not use harsh or abrasive cleaners for polishing, as they may cause damage to the finish. Periodic checks are recommended to make sure that all bolts, screws and nuts are securely tightened.