



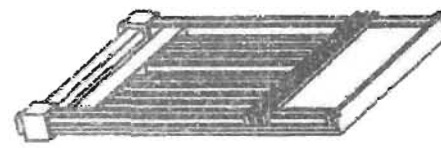
Assembly Instruction - Mission Desk


A


 Ø7.5*40=34PCS

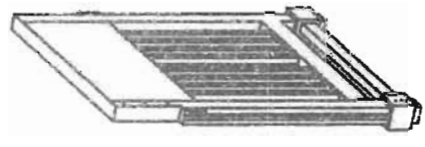
H

 Ø6*1=24PCS

1. Top Panel

 1PC

2. Side frame - Left

 1PC

B

 Ø15*12=34PCS

L

 16PCS


3. Side frame - Right

 1PC


C

 Ø8*30=24PCS

D

 76*44*11=2PCS

4. Side frame - Left

 1PC

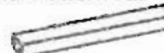
6. Side Front Middle rail

 2PCS

10. Side Back panel

 2PCS

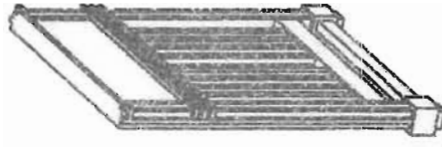
E


 Ø5/32*1=4PCS


7. Side Bottom rail

 4PCS

F

 25*25*20=2PCS

5. Side frame - Right

 1PC

8. Middle back upper rail

 1PC

11. Side Drawer side panel

 4PCS

G


 Ø 5/32*1-1/4=2PCS

9. Middle back bottom rail

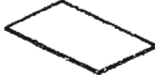
 1PC


12. Side Drawer Back panel


 2PCS

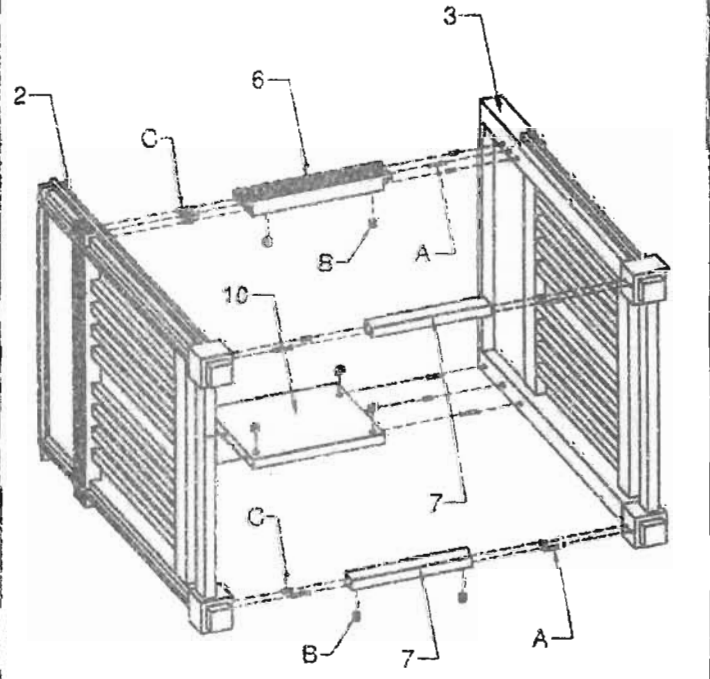
14. Side Drawer Front Panel Left & Right

 2PCS


1) Put Dowel Pin (C) 20pcs into side frame (2) left and (3) right.
 2) Assemble Side Front Middle rail (6), Side bottom Rail (7) and Side Back Panel (10) onto Side Frame (2) and (3) using Cam Locks (A), (B) 20 pcs as shown.
 3) Assemble Side Frame (4) and (5) as Step 1.


13. Side Drawer bottom panel

 2PCS


15. Middle drawer side panel

 2PCS

16. Middle drawer back panel

 1PC



17. Middle drawer bottom panel

 1PC

18. Middle Drawer Front Panel

 1PC

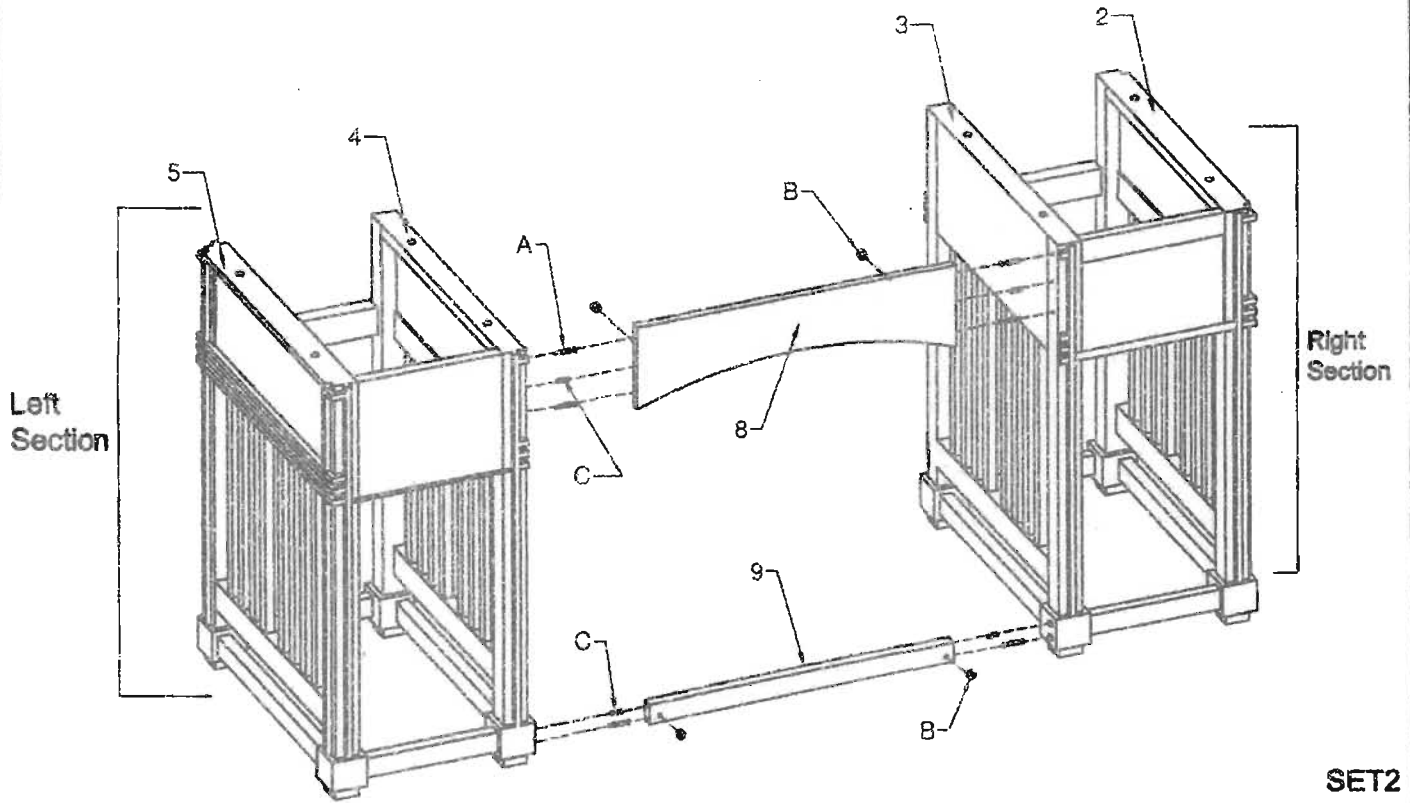
19. Middle shelf

 1PC

20. Bottom Shelf

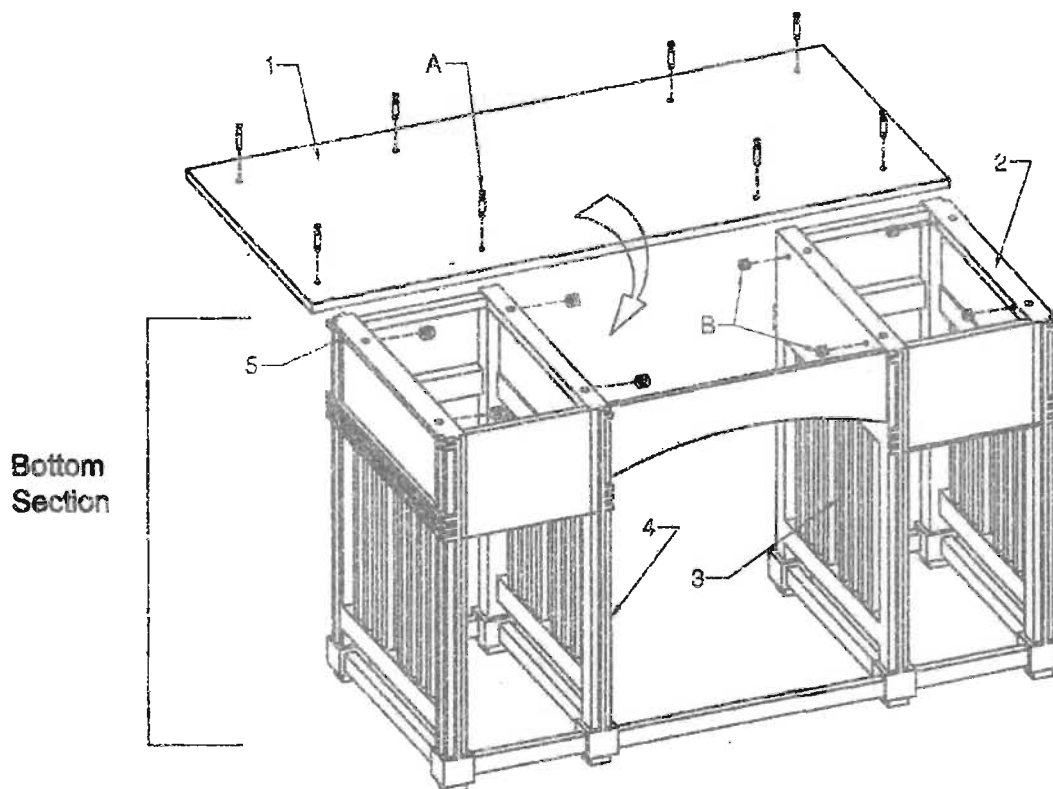
 1PC

Assembly Step

- 1) Assemble Middle Back upper panel (8) and Middle Back bottom rail (9) onto Left Section and Right section using Cam Lock (A) and (B) as shown.

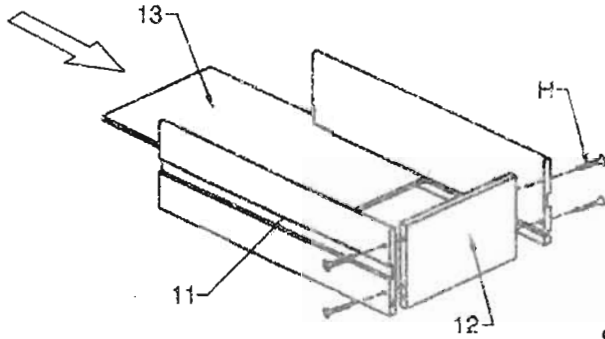


- 1) Assemble Top (1) onto Bottom section using Cam Lock (A) and (B) as shown.



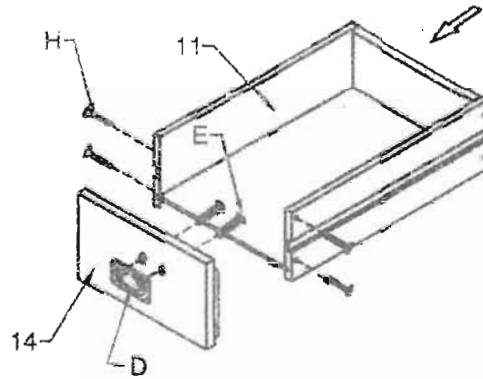
Assembly Step

- 1) Assemble drawer side panel (11) and back panel (12) using screw (H), and then insert bottom panel (13) as shown.



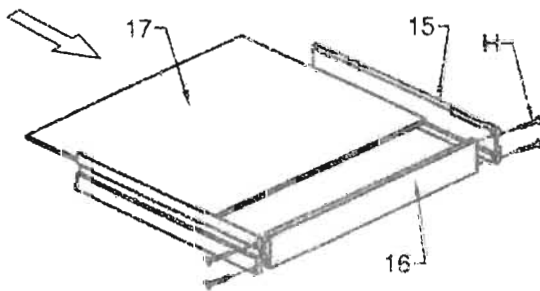
SET4

- 1) Assemble Drawer Front Panel (14) using Screw (H).
- 2) Assemble handle (D) using Screws (E).



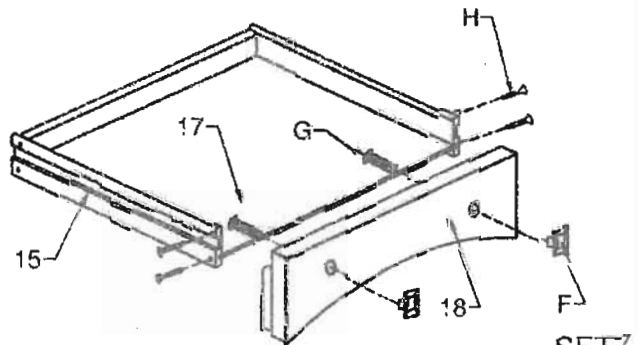
SET5

- 1) Assemble middle drawer side panel (15) and middle drawer back panel (16) using screw (I), and then insert middle drawer bottom panel (17) as shown.



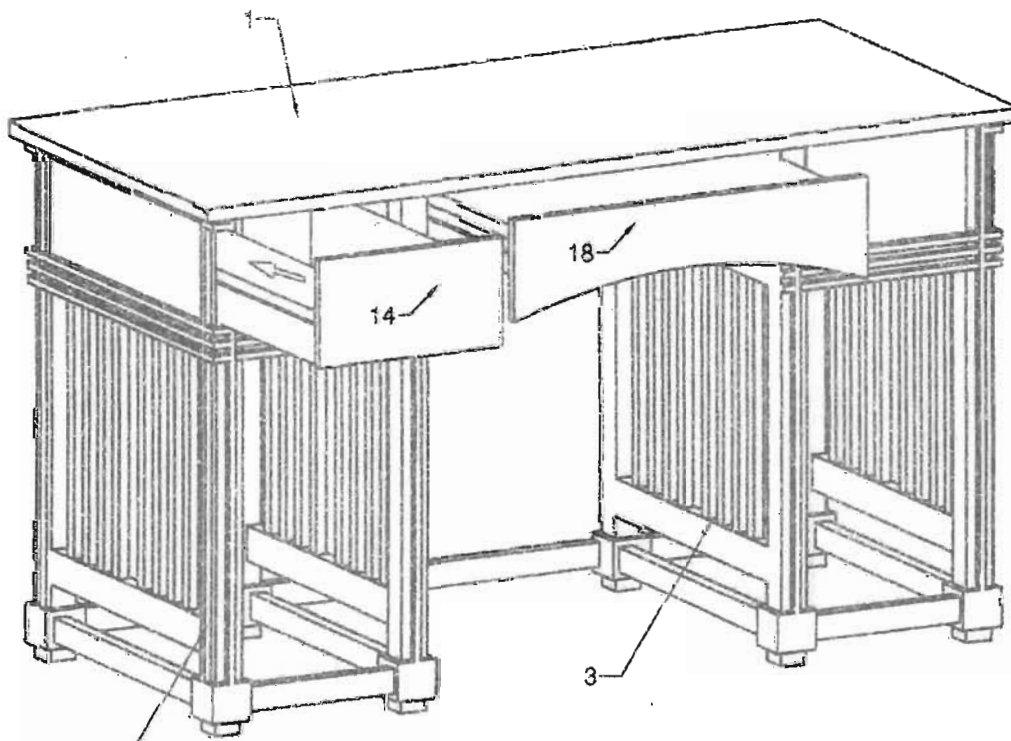
SET6

- 1) Assemble Middle drawer front panel (18) using screw (G).
- 2) Assemble knob (F) using screws (G).



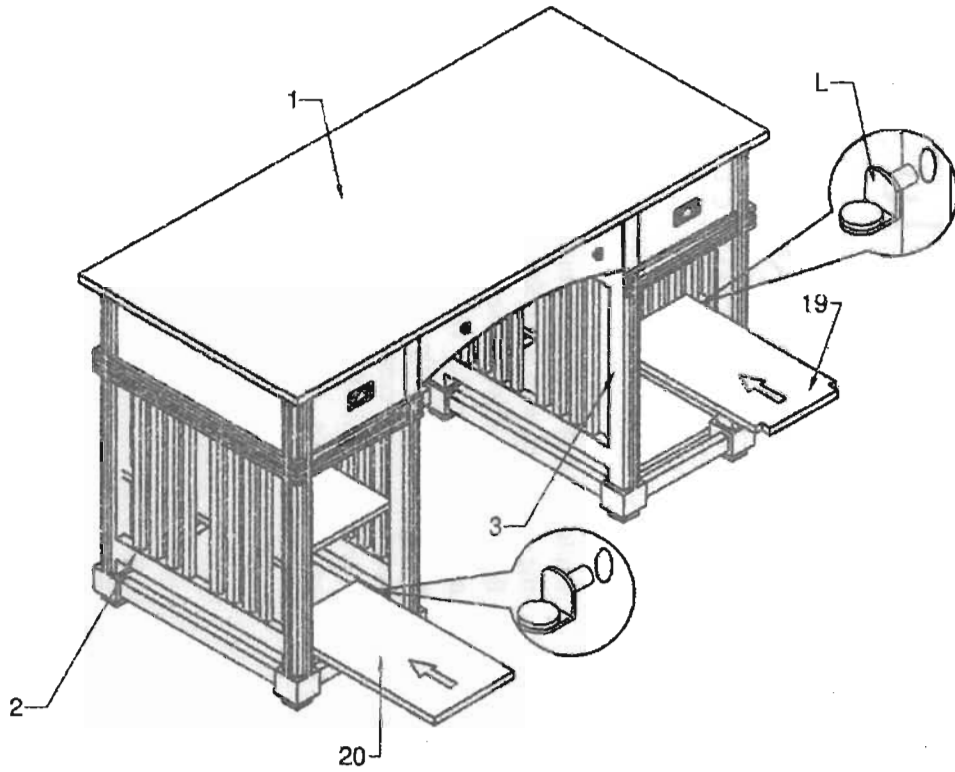
SET7

- 1) Place Side and middle drawers into Top.



Assembly Step

- 1) Put Shelf holders (L) 16pcs into Left and right Side frame as shown.
- 2) Put shelf (19) into Side Frame.



SET9

1). Mission Desk

